



- (EN) Hydro-Pneumatic Power Tool
- (DA) Luftværktøj til montering af nuts
- (DE) Hydropneumatisches Setzgerät
- (ES) Herramienta hidroneumática
- (FI) Hydropneumaattinen sähkötyökalu
- (FR) Outil électrique hydropneumatique
- (IT) Elettrotensile idropneumatico
- (NL) Hydro-pneumatisch gereedschap
- (NO) Hydropneumatisk verktøy
- (PT) Ferramenta eléctrica hidropneumática
- (PL) Pneumatyczno-hydrauliczna nitownica do nitów zrywalnych
- (SV) Hydro- Pneumatiskt kraftverktyg



ProSet® XT3 Blind Rivet Tool – 76003

ProSet® XT4 Blind Rivet Tool – 76004

# Hydro-Pneumatic Power Tool

Figure 1

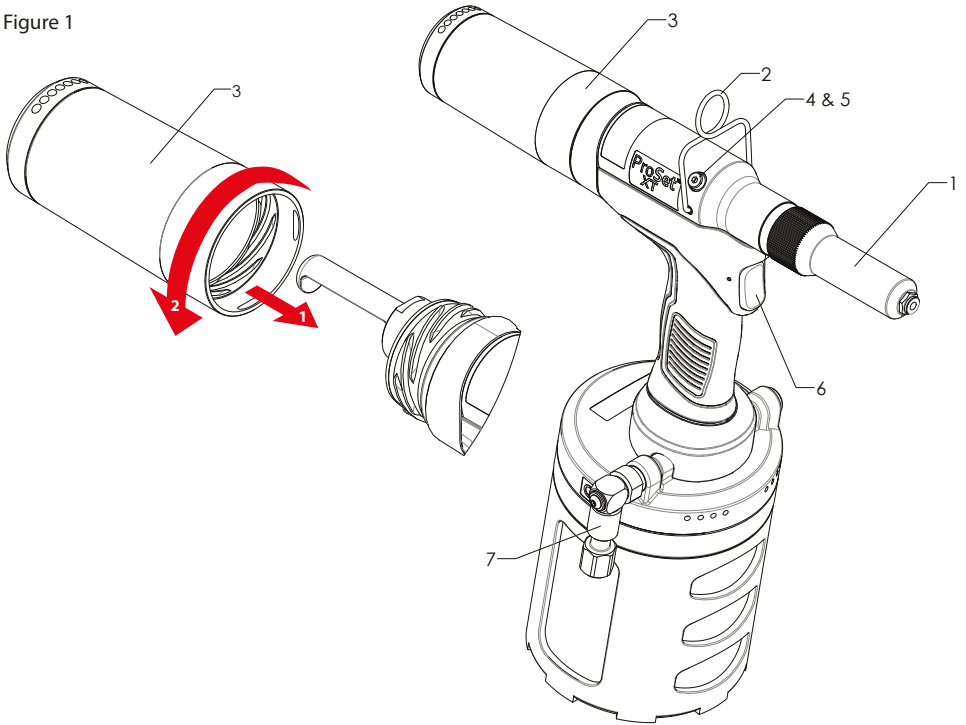


Figure 2

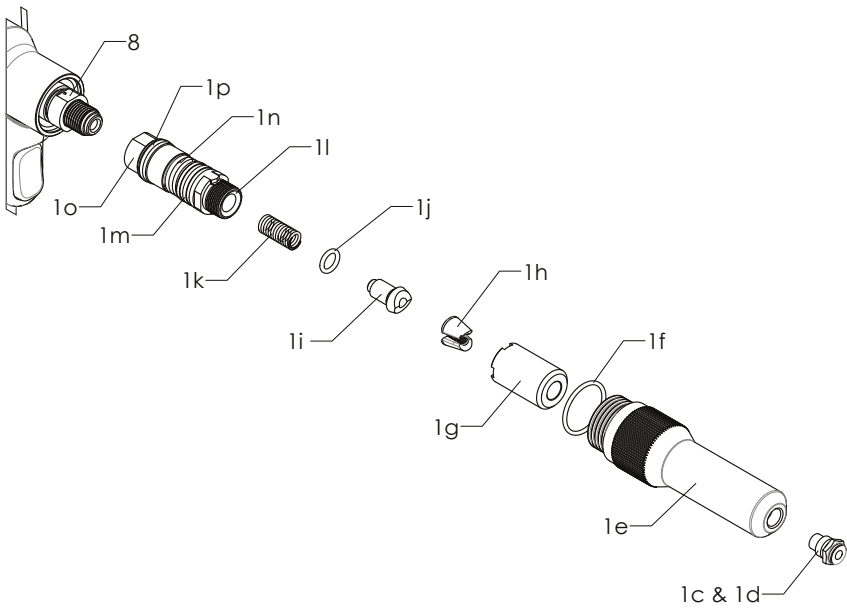


Figure 3

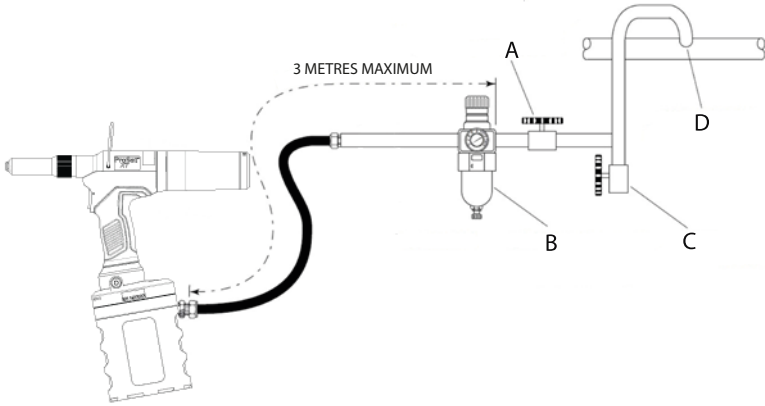


Figure 4

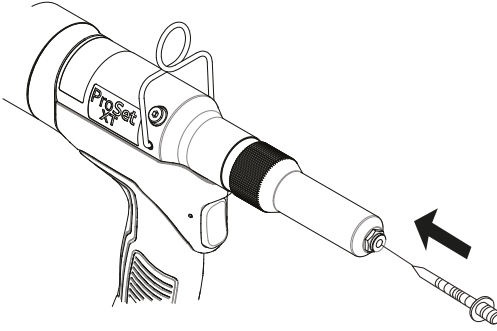


Figure 5

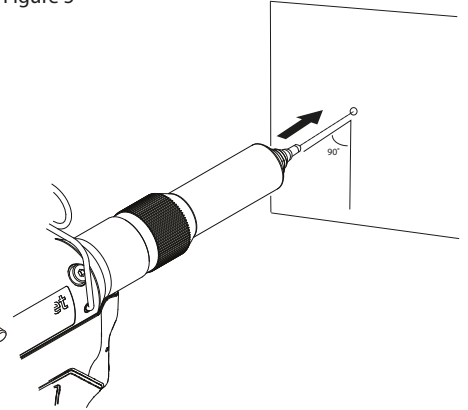
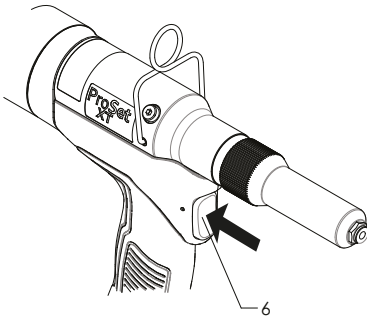


Figure 6



©2017 Stanley Black & Decker inc.  
All rights reserved.

The information provided may not be reproduced and/or made public in any way and through any means (electronically or mechanically) without prior explicit and written permission from STANLEY Engineered Fastening. The information provided is based on the data known at the moment of the introduction of this product. STANLEY Engineered Fastening pursues a policy of continuous product improvement and therefore the products may be subject to change. The information provided is applicable to the product as delivered by STANLEY Engineered Fastening. Therefore, STANLEY Engineered Fastening cannot be held liable for any damage resulting from deviations from the original specifications of the product.

The information available has been composed with the utmost care. However, STANLEY Engineered Fastening will not accept any liability with respect to any faults in the information nor for the consequences thereof. STANLEY Engineered Fastening will not accept any liability for damage resulting from activities carried out by third parties. The working names, trade names, registered trademarks, etc. used by STANLEY Engineered Fastening should not be considered as being free, pursuant to the legislation with respect to the protection of trade marks.

**CONTENT**

- 1. SAFETY DEFINITIONS ..... 4**
- 1.1 GENERAL SAFETY RULES ..... 4
- 1.2 PROJECTILE HAZARDS ..... 4
- 1.3 OPERATING HAZARDS ..... 5
- 1.4 REPETITIVE MOTIONS HAZARDS ..... 5
- 1.5 ACCESSORY HAZARDS ..... 5
- 1.6 WORKPLACE HAZARDS ..... 6
- 1.7 NOISE HAZARDS ..... 6
- 1.8 VIBRATION HAZARDS ..... 6
- 1.9 ADDITIONAL SAFETY INSTRUCTIONS FOR PNEUMATIC POWER TOOLS ..... 6
  
- 2. SPECIFICATIONS ..... 7**
- 2.1. TOOL SPECIFICATIONS ..... 7
- 2.2 PLACING SPECIFICATIONS ..... 8
- 2.3 THE PACKAGE CONTENTS ..... 9
- 2.4 MAIN COMPONENTS LIST ..... 9
- 2.5 STANDARD NOSE EQUIPMENT ..... 9
  
- 3. TOOL SET UP ..... 10**
- 3.1 NOSE EQUIPMENT (Ref. fig. 2) ..... 10
- 3.2 AIR SUPPLY (Ref. fig. 3) ..... 10
- 3.3 PRINCIPLE OF OPERATION ..... 11
  
- 4. OPERATION PROCEDURE ..... 12**
- 4.1 TOOL OPERATION (Ref. fig. 1, 4, 5, 6) ..... 12
- 4.2 EMPTYING THE MANDREL COLLECTOR (Ref. fig. 1) ..... 12
  
- 5. SERVICING THE TOOL ..... 13**
- 5.1 MAINTENANCE FREQUENCY ..... 13
- 5.2 NOSE EQUIPMENT ..... 13
- 5.3 DAILY SERVICING ..... 13
- 5.4 WEEKLY SERVICING ..... 13
- 5.5 PROTECTING THE ENVIRONMENT ..... 13
  
- 6. EC-DECLARATION OF CONFORMITY ..... 14**
  
- 7. PROTECT YOUR INVESTMENT! ..... 15**
- 7.1 POP® AVDEL® BLIND RIVET TOOL WARRANTY ..... 15
- 7.2 REGISTER YOUR BLIND RIVET TOOL ONLINE ..... 15





This instruction manual must be read by any person installing or operating this tool with particular attention to the following safety rules.



Always wear impact-resistant eye protection during operation of the tool. The grade of protection required should be assessed for each use.



Use hearing protection in accordance with employer's instructions and as required by occupational health and safety regulations.



Use of the tool can expose the operator's hands to hazards, including crushing, impacts, cuts and abrasions and heat. Wear suitable gloves to protect hands.

## 1. SAFETY DEFINITIONS

The definitions below describe the level of severity for each signal word. Please read the manual and pay attention to these symbols.



**DANGER:** Indicates an imminently hazardous situation which, if not avoided, will result in death or serious injury.



**WARNING:** Indicates a potentially hazardous situation which, if not avoided, could result in death or serious injury.



**CAUTION:** Indicates a potentially hazardous situation which, if not avoided, may result in minor or moderate injury.

**CAUTION:** Used without the safety alert symbol indicates a potentially hazardous situation which, if not avoided, may result in property damage.

***Improper operation or maintenance of this product could result in serious injury and property damage. Read and understand all warnings and operating instructions before using this equipment. When using power tools, basic safety precautions must always be followed to reduce the risk of personal injury.***

### SAVE ALL WARNINGS AND INSTRUCTIONS FOR FUTURE REFERENCE

#### 1.1 GENERAL SAFETY RULES

- For multiple hazards, read and understand the safety instructions before installing, operating, repairing, maintaining, changing accessories on, or working near the tool. Failure to do so can result in serious bodily injury.
- Only qualified and trained operators must install, adjust or use the tool.
- DO NOT use outside the design intent of placing STANLEY Engineered Fastening Blind Rivets.
- Use only parts, fasteners, and accessories recommended by the manufacturer.
- DO NOT modify the tool. Modifications can reduce the effectiveness of safety measures and increase the risks to the operator. Any modification to the tool undertaken by the customer will be the customer's entire responsibility and void any applicable warranties.
- Do not discard the safety instructions; give them to the operator.
- Do not use the tool if it has been damaged.
- Prior to use, check for misalignment or binding of moving parts, breakage of parts, and any other condition that affects the tool's operation. If damaged, have the tool serviced before using. Remove any adjusting key or wrench before use.
- Tools shall be inspected periodically to verify that the ratings and markings required by this part of ISO 11148 are legibly marked on the tool. The employer/user shall contact the manufacturer to obtain replacement marking labels when necessary.
- The tool must be maintained in a safe working condition at all times and examined at regular intervals for damage and function by trained personnel. Any dismantling procedure will be undertaken only by trained personnel. Do not dismantle this tool without prior reference to the maintenance instructions.

#### 1.2 PROJECTILE HAZARDS

- Disconnect the air supply from the tool before performing any maintenance, attempting to adjust, fit or remove a nose assembly or accessories.

- Be aware that failure of the workpiece or accessories, or even of the inserted tool itself can generate high-velocity projectiles.
- Always wear impact-resistant eye protection during operation of the tool. The grade of protection required should be assessed for each use.
- The risks to others should also be assessed at this time.
- Ensure that the workpiece is securely fixed.
- Check that the means of protection from ejection of fastener and/or mandrel is in place and is operative.
- DO NOT use the tool without mandrel collector installed.
- Warn against the possible forcible ejection of mandrels from the front of the tool.
- DO NOT operate a tool that is directed towards any person(s).

### **1.3 OPERATING HAZARDS**

- Use of the tool can expose the operator's hands to hazards, including crushing, impacts, cuts and abrasions and heat. Wear suitable gloves to protect hands.
- Operators and maintenance personnel shall be physically able to handle the bulk, weight and power of the tool.
- Hold the tool correctly; be ready to counteract normal or sudden movements and have both hands available.
- Keep tool handles dry, clean, and free from oil and grease.
- Maintain a balanced body position and secure footing when operating the tool.
- Release the start-and-stop device in the case of an interruption of the air supply.
- Use only lubricants recommended by the manufacturer.
- Contact with hydraulic fluid should be avoided. To minimise the possibility of rashes, care should be taken to wash thoroughly if contact occurs.
- Material Safety Data Sheets for all hydraulic oils and lubricants is available on request from your tool supplier.
- Avoid unsuitable postures as it is likely for these positions not to allow counteracting of normal or unexpected movement of the tool.
- If the tool is fixed to a suspension device, make sure that the fixation is secure.
- Beware of the risk of crushing or pinching if nose equipment is not fitted.
- DO NOT operate tool with the nose casing removed.
- Adequate clearance is required for the tool operator's hands before proceeding.
- When carrying the tool from place to place keep hands away from the trigger to avoid inadvertent activation.
- DO NOT abuse the tool by dropping or using it as a hammer.
- Care should be taken to ensure that spent mandrels do not create a hazard.
- The mandrel collector must be emptied when approximately half full.

### **1.4 REPETITIVE MOTIONS HAZARDS**

- When using the tool, the operator can experience discomfort in the hands, arms, shoulders, neck or other parts of the body.
- While using the tool, the operator should adopt a comfortable posture whilst maintaining a secure footing and avoiding awkward or off-balance postures. The operator should change posture during extended tasks; this can help avoid discomfort and fatigue.
- If the operator experiences symptoms such as persistent or recurring discomfort, pain, throbbing, aching, tingling, numbness, burning sensations or stiffness, these warning signs should not be ignored. The operator should tell the employer and consult a qualified health professional.

### **1.5 ACCESSORY HAZARDS**

- Disconnect the tool from the air supply before fitting or removing the nose assembly or accessory.
- Use only sizes and types of accessories and consumables that are recommended by the manufacturer of the tool; do not use other types or sizes of accessories or consumables.

### **1.6 WORKPLACE HAZARDS**

- Slips, trips and falls are major causes of workplace injury. Be aware of slippery surfaces caused by use of the tool and also of trip hazards caused by the air line or hydraulic hose.
- Proceed with care in unfamiliar surroundings. There can be hidden hazards, such as electricity or other utility lines.
- The tool is not intended for use in potentially explosive atmospheres and is not insulated against contact with electric power.
- Ensure that there are no electrical cables, gas pipes, etc., which can cause a hazard if damaged by use of the tool.
- Dress properly. Do not wear loose clothing or jewellery. Keep your hair, clothing and gloves away from moving parts. Loose clothes, jewellery or long hair can be caught in moving parts.
- Care should be taken to ensure that spent mandrels do not create a hazard.

### **1.7 NOISE HAZARDS**

- Exposure to high noise levels can cause permanent, disabling hearing loss and other problems, such as tinnitus (ringing, buzzing, whistling or humming in the ears). Therefore, risk assessment and the implementation of appropriate controls for these hazards are essential.
- Appropriate controls to reduce the risk may include actions such as damping materials to prevent workpieces from “ringing”.
- Use hearing protection in accordance with employer’s instructions and as required by occupational health and safety regulations.
- Operate and maintain the tool as recommended in the instruction manual, to prevent an unnecessary increase in the noise level.
- Ensure that the silencer within the mandrel collector is in place and in good working order when the tool is being operated.

### **1.8 VIBRATION HAZARDS**

- Exposure to vibration can cause disabling damage to the nerves and blood supply of the hands and arms.
- Wear warm clothing when working in cold conditions and keep your hands warm and dry.
- If you experience numbness, tingling, pain or whitening of the skin in your fingers or hands, stop using the tool, tell your employer and consult a physician.
- Where possible support the weight of the tool in a stand, tensioner or balancer, because a lighter grip can then be used to support the tool.

### **1.9 ADDITIONAL SAFETY INSTRUCTIONS FOR PNEUMATIC POWER TOOLS**

- The operating supply air must not exceed 7 bar (100 PSI).
- Air under pressure can cause severe injury.
- Never leave operating tool unattended. Disconnect air hose when tool is not in use, before changing accessories or when making repairs.
- DO NOT let air exhaust opening on the mandrel collector face in the direction of the operator or other persons. Never direct air at yourself or anyone else.
- Whipping hoses can cause severe injury. Always check for damaged or loose hoses and fittings.
- Prior to use, inspect airlines for damage, all connections must be secure. Do not drop heavy objects on hoses. A sharp impact may cause internal damage and lead to premature hose failure.
- Cold air shall be directed away from hands.
- Whenever universal twist couplings (claw couplings) are used, lock pins shall be installed and whipcheck safety cables shall be used to safeguard against possible hose-to-tool or hose-to-hose connection failure.
- DO NOT lift the placing tool by the hose. Always use the placing tool handle.
- Vent holes must not become blocked or covered.
- Keep dirt and foreign matter out of the hydraulic system of the tool as this will cause the tool to malfunction.

**STANLEY Engineered Fastening policy is one of continuous product development and improvement and we reserve the right to change the specification of any product without prior notice.**

## 2. SPECIFICATIONS

The ProSet® XT3 & XT4 are hydro-pneumatic tools designed to place Stanley Engineered Fastening blind rivets at high speed.

The tools feature a vacuum system for rivet retention and trouble free collection of the spent mandrels regardless of tool orientation.

When coupled to the relevant nose equipment the ProSet® XT3 & XT4 can be used to place blind rivets in the range of Ø4.0mm to Ø6.4mm. Refer to the table on page 10 for a list of all rivets that can be placed.

The safety warnings on pages 4 & 6 must be followed at all times.

**DO NOT** use under wet conditions or in the presence of flammable liquids or gases.

### 2.1. TOOL SPECIFICATIONS

	XT3		XT4	
<b>Pull-Force:</b> @ 5.5 bar	17.0 kN	3822 lbf	23.0 kN	5193 lbf
<b>Air Supply Pressure:</b> Min. to Max.	5.0 - 7.0 bar	72.5 - 101.5 lbf/in <sup>2</sup>	5.0 - 7.0 bar	72.5 - 101.5 lbf/in <sup>2</sup>
<b>Oil Pressure:</b> Pull @ 5.5 bar	290 bar	4206 lbf/in <sup>2</sup>	395 bar	5729 lbf/in <sup>2</sup>
<b>Stroke:</b> Minimum Piston Stroke	26.0 mm	1.02 in.	18.0 mm	0.91 in.
<b>Weight:</b> Incl. nose equipment	2.24 kg	4.94 lb	2.26 kg	4.98 lb
<b>Weight:</b> without nose equipment	2.00 kg	4.41 lb	2.02 kg	4.41 lb
<b>Free Air Volume:</b> @ 5.5 bar	6.3 ltr	384.4 in <sup>3</sup>	6.3 ltr	384.4 in <sup>3</sup>
<b>Cycle Time:</b> Approximate	0.9 seconds		1.0 seconds	

<b>Noise values determined according to noise test code ISO 15744 and ISO 3744.</b>		XT3	XT4
A-weighted sound power level dB(A), $L_{WA}$	Uncertainty noise: $k_{WA} = 3.0$ dB(A)	90.3 dB(A)	89.7 dB(A)
A-weighted emission sound pressure level at the work station dB(A), $L_{pA}$	Uncertainty noise: $k_{pA} = 3.0$ dB(A)	79.3 dB(A)	78.7 dB(A)
C-weighted peak emission sound pressure level dB(C), $L_{pC}$ peak	Uncertainty noise: $k_{pC} = 3.0$ dB(C)	82.7 dB(C)	81.5 dB(A)

<b>Vibration values determined according to vibration test code ISO 20643 and ISO 5349.</b>		XT3	XT4
Vibration emission level, $a_{hd}$ :		1.41 m/s <sup>2</sup>	1.80 m/s <sup>2</sup>
Uncertainty vibration: k		0.70 m/s <sup>2</sup>	0.90 m/s <sup>2</sup>
Declared vibration emission values in accordance with EN 12096			

**2.2 PLACING SPECIFICATIONS**

Rivet Type	Rivet Diameter mm [inches]										
	4 [5/32]	4,3	4,8 [3/16]	6	6,4 [1/4]	7	8	9	10	11	12
Open End	●*		●**		●						
Closed End	●*		●**		●						
HR	●*		●		●						
HS					● (3)						
Multi-Grip	●*		●**		●						
TL	●*		●								
T-Rivet (Emhart)	●*		●		●						
Self-Pluggger	●*		●		●						
Ultra Grip (UG) (NPR)					⊗ (3)						
CD					● (3)						
Avex®	● (2)		● (2)		● (2)						
Stavex®	● (2)		● (2)		● (1)(3)						
Avinox®/ Avibulb®	● (2)		● (2)	● (2)							
Avinox®XT / Avibulb®XT					● (1)(3)						
LSR/Bulbex®	● (2)		● (2)								
T-Lok®		● (2)	● (2)								
Avdel® SR	● (2)		● (2)		● (2)						
Hemlok®					● (1)(3)						
Interlock®			⊗ (2)		⊗ (1)(3)						
Maxlok®			● (3)		Ⓞ (3)						
Monobolt®			⊗ (1)(2)		⊗ (1)(3)						
Avtainer®									Ⓞ (1)(3)		
Avseal® (STD)				● (1)(3)		● (1)(3)	● (1)(3)	● (1)(3)	Ⓞ (1)(3)		
Avseal® (Low Press)							● (1)(3)	● (1)(3)	● (1)(3)	Ⓞ (1)(3)	Ⓞ (1)(3)
Q Rivet	● (2)		● (2)		● (2)						
T Rivet (Avdel)			● (1)(2)		● (1)(2)						
Avdelmate®			● (2)		● (2)						
Klamp-Tite® BAPK			⊗ (2)		⊗ (2)						
Klamp-Tite® BAPKTR			⊗ (1)(2)		⊗ (1)(2)						
Avdelok®			● (3)		Ⓞ (3)						

\* Use PRG540-46 jaws and FAN276-064 jaw pusher assembly

\*\* Use PRG540-46 jaws.

● Is applicable for both XT3 and XT4 tool

⊗ Is only applicable for XT3 tool

Ⓞ Is only applicable for XT4 tool

(1) Non-standard nose piece required

(2) Alternative type nose equipment available

(3) Non-standard nose equipment required.

For a full list of compatible nose equipment for each rivet type, together with assembly and maintenance instructions, please refer to the ProSet® nose equipment manual 07900-09414

### 2.3 THE PACKAGE CONTENTS

- 1 ProSet® XT3 or XT4 blind rivet tool.
- 1 set Standard\* Nose Equipment & Nosepieces for 4.8mm [3/16"] and 6.4mm [1/4"] rivets.
- 1 Printed Instruction Manual – region dependent.

### 2.4 MAIN COMPONENTS LIST

Refer to figure 1 & 2 and the table below.

Item	Part Number	Description	Qty
1	76003-15000*	Standard nose equipment	1
2	76003-02022	Suspension hook	1
3	76003-05200	Mandrel collector	1
4	07001-00405	Oil plug	1
5	07003-00194	Seal	1
6	76003-02008	Trigger	1
7	76003-03700	On/Off valve	1
8	71210-02103	Locknut	1

### 2.5 STANDARD NOSE EQUIPMENT

Refer to figure 2 and the table below.

Item	Part Number	Description	Qty
1c	PRN614	Nose Piece - 4.8 mm [3/16"] (Fitted)	1
1d	PRN811	Nose Piece - 6.4 mm [1/4"]	1
1e	76003-15001	Nose casing	1
1f	07003-00067	O ring	1
1g	DPN276-001	Jaw guide	1
1h	PRG540-44	Jaws	1 Set
1i	DPN276-006	Jaw pusher	1
1j	DPN900-060	O ring	1
1k	DPN901-019	Jaw pusher spring	1
1l	76003-15002	Pulling head	1
1m	76003-15004	Jaw guide lock	1
1n	DPN901-020	Spring	1
1o	76003-15003	Pulling head adapter	1
1p	07003-00277	O ring	1

For additional nose equipment please refer to the ProSet® Nose Equipment Manual 07900-09414 or visit [www.stanleyengineeredfastening.com/resource-center/document-library](http://www.stanleyengineeredfastening.com/resource-center/document-library)

For a full list of tool accessories, please refer to the ProSet Accessories Manual 07900-09415.

\* Nose equipment is not supplied with the Proset XT3 Base Tool (76003-01000) and Proset XT4 Base Tool (76004-01000).

### 3. TOOL SET UP

**IMPORTANT - READ THE SAFETY WARNINGS ON PAGE 6 & 8 CAREFULLY BEFORE PUTTING INTO SERVICE.**

**IMPORTANT - THE AIR SUPPLY MUST BE TURNED OFF OR DISCONNECTED BEFORE FITTING OR REMOVING THE NOSE ASSEMBLY.**

#### 3.1 NOSE EQUIPMENT (Ref. fig. 2)

Item numbers in bold refer to the components in figures 1 & 2 and the tables on page 11.

The complete tool will be supplied pre-assembled with the Nose Piece for 4.8mm [3/16"] rivets.

One additional Nose Piece for 6.4mm [1/4"] rivets are supplied separately.

#### Mounting the nose piece

- The air supply must be disconnected.
- Select the correct nose piece for the rivet to be installed.
- Remove the nose casing (**1e**), including nose piece (**1a,b,c, or d**), and O ring (**1f**)
- Remove the nose piece (**1a,b,c or d**) from the nose casing (**1e**)
- Select the relevant size nose piece and assemble in reverse order.

#### Removing complete nose equipment.

- The air supply must be disconnected.
- Remove the nose casing (**1e**), including the nose piece (**1a,b,c or d**), and O ring (**1f**) from the tool.
- Pull back the jaw guide lock (**1m**) against the spring (**1n**) and then remove the jaw guide (**1g**).
- Remove the jaws (**1h**) from the jaw guide (**1g**).
- Remove jaw pusher (**1i**), O ring (**1j**), and Jaw pusher spring (**1k**), from the pulling head (**1l**).
- Remove the pulling head assembly (**1q**) from the tool piston using spanners

#### Mounting the complete nose equipment

- The air supply must be disconnected
- Any worn or damaged part should be replaced.
- Clean and check wear on jaws (**1h**).
- Ensure that the jaw pusher (**1i**) or the jaw pusher spring (**k**) are not distorted.
- Lightly coat jaws (**1h**) with moly lithium grease.
- Drop Jaws (**1h**) into the jaw guide (**1g**).
- Insert jaw pusher (**1i**) and O ring (**1j**) into the pulling head (**1l**).
- Pull back the jaw guide lock (**1m**) and screw the jaw guide (**1g**) fully on to the pulling head (**1l**).
- Release the jaw guide lock (**1m**) and then partially unscrew the jaw guide (**1g**) until the jaw guide lock (**1m**) tooth clicks into the next slot on the jaw guide (**1g**).
- Place nose casing (**1e**) over the jaw guide (**1g**) and tighten fully onto the tool.

Nose assemblies should be serviced at weekly intervals. You should hold some stock of all internal components of the nose assembly and nose tips as they will need regular replacement.

#### 3.2 AIR SUPPLY (Ref. fig. 3)

Components

- Stop cock (used during maintenance of filter/regular or lubricated units)
  - Pressure regulator and filter (daily drain)
  - Main supply drain point
  - Take off point from main supply
- All tools are operated with compressed air at a minimum pressure of 5.0 bar.
  - Pressure regulators and automatic oiling/filtering systems to be used on the main air supply within 3 metres of the tool (see fig. 3).
  - Air supply hoses will have a minimum working effective pressure rating of 150% of the maximum pressure produced in the system or 10 bar, whichever is the highest.

- Air hoses must be oil resistant, have an abrasion resistant exterior and be armoured where operating conditions may result in hoses being damaged.
- All air hoses MUST have a minimum bore diameter of 6.4 millimetres.
- Check for air leaks. If damaged, hoses and couplings must be replaced by new items.
- If there is no filter on the pressure regulator, bleed the airline to clear it of accumulated dirt or water before connecting air hose to the tool.

### **3.3 PRINCIPLE OF OPERATION**

**CAUTION - CORRECT SUPPLY PRESSURE IS IMPORTANT FOR PROPER FUNCTION OF THE INSTALLATION TOOL. PERSONAL INJURY OR DAMAGE TO EQUIPMENT MAY OCCUR WITHOUT CORRECT PRESSURES. THE SUPPLY PRESSURE MUST NOT EXCEED THAT LISTED IN THE PLACING TOOL SPECIFICATION**

Item numbers in bold refer to the components in figures 1 & 2 and the tables on page 11.

When the pneumatic hose is connected to the placing tool, the pull and return cycles of the tool are controlled by depressing and releasing the trigger **(6)** located in the handle.

- Air supply is disconnected.
- Connect the appropriate nose equipment as described on page 10 & 12.
- Connect the pneumatic hose to the air on/off valve **(7)**.
- Connect the pneumatic hose mains air supply.
- Switch on the mains supply to the tool by sliding the air on/off valve **(7)** to the up position.
- Air is now be supplied to the tool and the vacuum system is in operation.
- Pull and release the trigger **(6)** a few times to the full stroke of the tool to check operation. Observe action of tool. Check for fluid and/or air leaks.



## 4. OPERATION PROCEDURE

### 4.1 TOOL OPERATION (Ref. fig. 1, 4, 5, 6)

#### Installing a blind rivet

- Ensure that the mandrel collector (3) is fitted.
- Insert rivet mandrel into the nose piece (1a, b, c or d). The vacuum system will retain the rivet in the nose piece.
- Position the tool.
- Ensure nose equipment is at right angle (90°) to the work piece.
- Pull and hold trigger (6) until the rivet is fully set in the application.
- When the rivet has been set completely, release the trigger (6). The tool will return to its initial position automatically. The mandrel is automatically dropped into the mandrel collector (3) by the vacuum system.
- Mandrel collector must be emptied before it is half full.

**CAUTION –DO NOT FORCE THE INSERTION OF A RIVET MANDREL OR RIVET BODY. THIS WILL CAUSE DAMAGE TO THE TOOL AND/OR APPLICATION.**

### 4.2 EMPTYING THE MANDREL COLLECTOR (Ref. fig. 1)

#### CAUTION - DO NOT USE THE TOOL WHEN THE MANDREL COLLECTOR IS REMOVED

- The tool is fitted with a quick connect/release mandrel collector (3).
- A 60° rotation removes or replaces the mandrel collector.
- Removing the mandrel collector (3) from the tool automatically turns OFF the vacuum rivet retention and mandrel extraction system.
- Refitting the mandrel collector turns the vacuum system ON.

## 5. SERVICING THE TOOL

### 5.1 MAINTENANCE FREQUENCY

Regular servicing must be carried out by trained personnel and a comprehensive inspection performed annually or every 500,000 cycles, whichever is sooner.



DISCONNECT AIR SUPPLY



**CAUTION** - Never use solvents or other harsh chemicals for cleaning the non-metallic parts of the tool. These chemicals may weaken the materials used in these parts.

### 5.2 NOSE EQUIPMENT

Nose assemblies need to be serviced at weekly intervals or every 5,000 cycles. Hold some stock of all internal components of the nose assembly and nose pieces, they need regular replacement.

- Disconnect the air supply
- Remove the complete nose assembly using the procedure described in section 3.1.
- Inspect all components. Any worn or damaged parts must be replaced by a new part.
- Particularly check wear on the Jaws (**1h**).
- Clean all parts and apply moly lithium Grease (07992-00020) to jaws (**1h**) and taper bore of jaw guide (**1g**).
- Assemble according to fitting instructions in section 3.1.

### 5.3 DAILY SERVICING

- Before use, check the tool, hose and couplings for air leaks and oil leaks. If damaged, remove the tool from service and replace affected items with new parts.
- If there is no filter on the pressure regulator, bleed the airline to clear it of accumulated dirt or water before connecting the air hose to the tool. If there is a filter, drain it.
- Check that the nose equipment (**1**) is correct for the rivet to be placed and that it is fitted properly.
- Check that the stroke of the tool meets the minimum specification (ref. 2.1).
- The mandrel collector (**3**) must fitted to the tool.
- Check that the air chamber is fully tightened onto the tool body.

### 5.4 WEEKLY SERVICING

- Check the tool, hose and couplings for air leaks and oil leaks. If damaged, remove the tool from service and replace affected items with new parts.

For full servicing, troubleshooting and maintenance instructions please refer to the Service Manual Nr. 07900-09410 for the XT3 and 07900-09411 for the XT4.

For Safety Data relating to the grease and oil used in this tool please refer to the Service Manual Nr. 07900-09410 for the XT3 and 07900-09411 for the XT4.

### 5.5 PROTECTING THE ENVIRONMENT

Assure conformity with applicable disposal regulations. Dispose all waste products at an approved waste facility or site so as not to expose personnel and the environment to hazards.

## 6. EC-DECLARATION OF CONFORMITY

### Original

We, **Avdel UK Limited; Stanley House, Works Road, Letchworth Garden City, Hertfordshire, SG6 1JY UNITED KINGDOM**, declare under our sole responsibility that the product:

**Description**

ProSet® XT3 and ProSet® XT4 Hydro-Pneumatic tools for Blind Rivets

**Brand/Model**

POP-Avdel® / 76003 and POP-Avdel® / 76004

**Serial No.**

to which this declaration relates is in conformity with the following standard:

ISO 12100:2010	EN ISO 3744:2010
EN ISO 11202:2010	EN ISO 11148-1:2011
EN ISO 4413:2010	BS EN 28662-1:1993
EN ISO 4414:2010	EN ISO 20643:2008+A1:2012
EN ISO 28927-5:2009/A1:2015	

Technical documentation is compiled in accordance with Annex 1, section 1.7.4.1, in accordance with the following Directive:

**2006/42/EC The Machinery Directive**

UK Statutory Instruments 2008 No 1597 - The Supply of Machinery (Safety) Regulations refers.

**A. K. Seewraj**
**Technology Manager – EU Blind Fastening**

Avdel UK Limited; Stanley House, Works Road, Letchworth Garden City,  
Hertfordshire, SG6 1JY UNITED KINGDOM

**Signature**

**Place of issue**
**Letchworth Garden City**
**Date of issue**
**01.03.2017**


This machinery is in conformity with Machinery Directive 2006/42/EC.

---

## 7. PROTECT YOUR INVESTMENT!

### 7.1 POP<sup>®</sup>AVDEL<sup>®</sup> BLIND RIVET TOOL WARRANTY

STANLEY Engineered Fastening warrants that all power tools have been carefully manufactured and that they will be free from defect in material and workmanship under normal use and service for a period of one (1) year. This warranty applies to the first time purchaser of the tool for original use only.

#### **Exclusions:**

##### **Normal wear and tear.**

Periodic maintenance, repair and replacement parts due to normal wear and tear are excluded from coverage.

##### **Abuse & Misuse.**

Defect or damage that results from improper operation, storage, misuse or abuse, accident or neglect, such as physical damage are excluded from coverage.

##### **Unauthorized Service or Modification.**

Defects or damages resulting from service, testing adjustment, installation, maintenance, alteration or modification in any way by anyone other than STANLEY Engineered Fastening, or its authorized service centres, are excluded from coverage.

All other warranties, whether expressed or implied, including any warranties of merchantability or fitness for purpose are hereby excluded.

Should this tool fail to meet the warranty, promptly return the tool to our factory authorized service centre location nearest you. For a list of POP<sup>®</sup>Avdel<sup>®</sup> Authorized Service Centres in the US or Canada, contact us at our toll free number (877)364 2781.

Outside the US and Canada, visit our website **[www.StanleyEngineeredFastening.com](http://www.StanleyEngineeredFastening.com)** to find your nearest STANLEY Engineered Fastening location.

STANLEY Engineered Fastening will then replace, free of charge, any part or parts found by us to be defective due to faulty material or workmanship, and return the tool prepaid. This represents our sole obligation under this warranty.

In no event shall STANLEY Engineered Fastening be liable for any consequential or special damages arising out of the purchase or use of this tool.

### 7.2 REGISTER YOUR BLIND RIVET TOOL ONLINE.

To register your warranty online, visit us at

<http://www.stanleyengineeredfastening.com/popavdel-powertools/warranty-card>.

Thank you for choosing a STANLEY Engineered Fastening's POP<sup>®</sup>Avdel<sup>®</sup> Brand tool.



©2017 Stanley Black & Decker inc.

Alle rettigheder forbeholdes.

Disse oplysninger må ikke gengives og/eller offentliggøres gennem nogen medier (trykte eller elektroniske), uden forudgående skriftlig tilladelse fra STANLEY Engineered Fastening. De foreliggende oplysninger er baseret på de data, der er kendt på tidspunktet for introduktionen af dette produkt. STANLEY Engineered Fastening fører en politik om løbende produktforbedringer, derfor kan og vil produkterne løbende blive ændret. De foreliggende oplysninger gælder for produktet, leveret af STANLEY Engineered Fastening. STANLEY Engineered Fastening kan derfor ikke stilles til ansvar for eventuelle skader, som følge af afvigelser fra de oprindelige produktspecifikationer.

Alle informationer er blevet udarbejdet med største omhu. STANLEY Engineered Fastening kan ikke stilles til ansvar for eventuelle fejl i oplysningerne, eller for konsekvenserne heraf. STANLEY Engineered Fastening kan ikke stilles til ansvar for skader som følge af aktiviteter, der gennemføres af tredjemænd. Arbejdsnavne, firmanavne, registrerede varemærker osv. der anvendes af STANLEY Engineered Fastening kan ikke anvendes frit i henhold til bestemmelserne vedrørende beskyttelse af varemærker.

## INDHOLD

<b>1.</b>	<b>SIKKERHEDSINSTRUKTIONER.....</b>	<b>2</b>
1.1	GENERELLE SIKKERHEDSREGLER.....	2
1.2	PROJEKTILFARER .....	2
1.3	DRIFTSFARER .....	3
1.4	FARER VED GENTAGENDE FARER.....	3
1.5	TILBEHØRSFARER .....	3
1.6	ARBEJDSPLADSFARER .....	4
1.7	STØJFARER.....	4
1.8	VIBRATIONSFARER .....	4
1.9	YDERLIGERE SIKKERHEDSINSTRUKTIONER FOR PNEUMATISKE ELVÆRKTØJER .....	4
<b>2.</b>	<b>SPECIFIKATIONER .....</b>	<b>5</b>
2.1.	VÆRKTØJSSPECIFIKATIONER .....	5
2.2	SPECIFIKATIONER FOR PLACERING .....	6
2.3	PAKKEINDHOLD.....	7
2.4	LISTE OVER KOMPONENTER .....	7
2.5	STANDARD NÆSEUDSTYR .....	7
<b>3.</b>	<b>VÆRKTØJSINSTRUKTIONER.....</b>	<b>8</b>
3.1	NÆSEUDSTYR (Ref. fig. 2).....	8
3.2	LUFTFORSYNING (Ref. fig. 3) .....	8
3.3	DRIFT .....	9
<b>4.</b>	<b>NITTEMONTERING .....</b>	<b>10</b>
4.1	BETJENING AF VÆRKTØJ (Ref. fig. 1, 4, 5, 6) .....	10
4.2	TØMNING AF STIFTOPSAMLER (Ref. fig. 1).....	10
<b>5.</b>	<b>VEDLIGEHOLDELSE AF VÆRKTØJET.....</b>	<b>11</b>
5.1	VEDLIGEHOLDELSESINTERVALLER .....	11
5.2	NÆSEUDSTYR.....	11
5.3	DAGLIG VEDLIGEHOLDELSE.....	11
5.4	UGENTLIG VEDLIGEHOLDELSE.....	11
5.5	MILJØBESKYTTELSE .....	11
<b>6.</b>	<b>EU-OVERENSSTEMMELSESERKLÆRING.....</b>	<b>12</b>
<b>7.</b>	<b>BESKYT DIN INVESTERING! .....</b>	<b>13</b>
7.1	GARANTI FOR POP*AVDEL* VÆRKTØJ TIL BLINDNITTER .....	13
7.2	REGISTRÉR DIT VÆRKTØJ TIL BLINDNITTER ONLINE.....	13



Læg mærke til følgende sikkerhedssymboler. Læs manualen grundigt igennem, og vær opmærksom på nedenstående symboler.



Brug altid slagfast øjebeskyttelse under betjening af værktøjet. Den påkrævede beskyttelsesgrad skal vurderes for hver brug.



Brug høreværn i overensstemmelse med arbejdsgiverens instruktioner og som påkrævet af arbejdsmiljøbestemmelser.



Brug af værktøjet kan udsætte operatørens hænder for farer, herunder knusning, slag, snit og slid og varme. Brug egnede handsker til beskyttelse af hænderne.

## 1. SIKKERHEDSINSTRUKTIONER

Læg mærke til følgende sikkerhedsinstruktioner. Læs brugsvejledningen grundigt igennem, og vær opmærksom på disse symboler.



**FARE:** Angiver alvorlig skade eller i værste fald døden, hvis de respektive sikkerhedsinstruktioner ikke overholdes.



**ADVARSEL:** Alvorlig skade på person eller materiel vil ske, hvis de respektive sikkerhedsinstruktioner ikke overholdes.



**PAS PÅ:** Mindre skade og mindre materiel skade vil ske, hvis de respektive sikkerhedsinstruktioner ikke overholdes.

**PAS PÅ:** En potentiel farlig situation kan opstå, hvis de angivne sikkerhedssymboler ikke respekteres eller overholdes.

***Forkert anvendelse eller vedligeholdelse af værktøjet, kan medføre alvorlige kvæstelser eller materielle skader. Læs og forstå derfor alle advarsler og symboler i brugsanvisningerne før værktøjet anvendes. Ved brug af luftværktøj skal alle grundlæggende sikkerhedsregler altid overholdes for at reducere risikoen for kvæstelser.***

### GEM ALLE ADVARSLER OG ANVISNINGER TIL SENERE BRUG

#### 1.1 GENERELLE SIKKERHEDSREGLER

- Med henblik på flere farer skal du læse og forstå sikkerhedsinstruktionerne, inden du installerer, betjener, reparerer, vedligeholder, skifter tilbehør på eller arbejder i nærheden af værktøjet. Ellers kan det resultere i alvorlig personskade.
- Kun kvalificerede og udlærte operatører må installere, justere eller bruge værktøjet.
- STANLEY Engineered Fastening blindnitteværktøjer må IKKE anvendes til andre formål end de tilsigtede formål.
- Brug kun reservedele, blindnitter og tilbehør anbefalet af STANLEY Engineered Fastening.
- Misbrug IKKE værktøjet. Modifikationer kan reducere effektiviteten af sikkerhedsforanstaltninger og øge risiciene for operatøren. Enhver ændring af værktøjet foretaget af kunden, vil være kundens fulde ansvar og vil gøre alle gældende garantier ugyldige.
- Kassér ikke sikkerhedsinstruktionerne; giv dem til operatøren.
- Anvend ikke værktøjet, hvis det er blevet beskadiget.
- Kontrollér, om der forekommer fejltilpasninger, eller om bevægelige dele er bevægelige, beskadigelse eller andre forhold, der kan påvirke værktøjets funktion inden brug. Få værktøjet serviceret før brug, hvis det er beskadiget. Fjern alle justerings- og skruenøgler inden brug.
- Værktøjer skal efterses regelmæssigt for at kontrollere, at de tekniske data og mærkninger, der kræves af denne del af ISO 11148, er tydeligt markeret på værktøjet. Arbejdsgiveren/brugeren skal kontakte producenten for at anskaffe erstatningsmærkater efter behov.
- Værktøjet skal altid holdes i en god stand, og skal undersøges jævnligt for skader af en autoriseret reparatør. Enhver form for demontering må kun foretages af uddannet personale. Dette værktøj må ikke demonteres uden at konsultere vedligeholdelsesansvisningerne.

#### 1.2 PROJEKTLFARER

- Afbryd luftforsyningen på værktøjet inden nogen form for vedligeholdelse, hvor der justeres, servicerer eller afmonteres dele ved næsesamling eller tilbehør.

- Vær opmærksom på, at fejl i arbejdsemnet eller tilbehøret, eller endda af det indsatte værktøj, kan generere projektiler med høj hastighed.
- Brug altid slagfast øjebeskyttelse under betjening af værktøjet. Den påkrævede beskyttelsesgrad skal vurderes for hver brug.
- Risikoen for andre bør også vurderes på dette tidspunkt.
- Sørg for, at arbejdsemnet er ordentligt fastgjort.
- Kontroller, at beskyttelsesforanstaltningen mod udkast af nitter og/eller mandrel er på plads og fungerer.
- Brug IKKE værktøjet, uden at stiftopsamleren er installeret.
- Advar mod den mulige tvangsudskydning af mandreller fra værktøjets forside.
- Ret IKKE værktøjet mod andre personer, når det anvendes.

### **1.3 DRIFTSFARER**

- Brug af værktøjet kan udsætte operatørens hænder for farer, herunder knusning, slag, snit og slid og varme. Brug egnede handsker til beskyttelse af hænderne.
- Operatører og vedligeholdelsespersonale skal være fysisk i stand til at håndtere værktøjets masse, vægt og styrke.
- Hold værktøjet korrekt; vær klar til at modvirke normale eller pludselige bevægelser, og hav begge hænder til rådighed.
- Hold altid værktøjshåndtaget rent for olie og snavs.
- Hold kroppen i balance, og hav et sikkert fodfæste under brug af værktøjet.
- Slip start-og-stop-enheden i tilfælde af afbrydelse af luftforsyningen.
- Brug kun smøremidler anbefalet af producenten.
- Kontakt med hydraulisk væske bør undgås. Med henblik på at minimere risikoen for udslet bør man sørge for at skylle området grundigt, hvis der opstår kontakt.
- Sikkerhedsdatablade for alle hydrauliske olier og smøremidler er tilgængelige efter anmodning fra din værktøjsleverandør.
- Undgå uegnede stillinger, da det er sandsynligt, at disse stillinger ikke gør det muligt at modvirke normal eller uventet bevægelse af værktøjet.
- Hvis værktøjet er fastgjort til en ophængningsenhed, skal du sørge for, at fastgørelsen er sikker.
- Pas på risikoen for knusning eller klemning, hvis næseudstyr ikke er monteret.
- Værktøjet må IKKE betjenes, hvis forstykket er afmonteret.
- Inden anvendelsen skal der tages højde for, om der tilstrækkelig plads til at håndtere værktøjet med hænderne.
- Undgå at trykke på aftrækkeren, hvis værktøjet flyttes mellem arbejdspladser.
- Misbrug IKKE værktøjet, ved at tabe eller smide med det. Anvend ALDRIG værktøjet som hammer.
- Pas på, at brugte stifter ikke udgør en fare.
- Stiftopsamleren skal tømmes, når den er ca. halvt fuld.

### **1.4 FARER VED GENTAGENDE FARER**

- Ved brug af værktøjet kan operatøren opleve ubehag i hænder, arme, skuldre, nakke eller andre dele af kroppen.
- Under brug af værktøjet skal operatøren indtage en behagelig stilling, samtidig med at der bevares et sikkert fodfæste og undgås akavede stillinger eller ubalance. Operatøren skal skifte stilling under længere opgaver; dette kan hjælpe med at undgå ubehag og træthed.
- Hvis operatøren oplever symptomer som vedvarende eller tilbagevendende ubehag, smerter, pulsering, ømhed, prikken, følelsesløshed, brændende fornemmelser eller stivhed, må disse advarselstegn ikke ignoreres. Operatøren skal fortælle arbejdsgiveren og konsultere en kvalificeret sundhedsperson.

### **1.5 TILBEHØRSFARER**

- Frakobl værktøjet fra luftforsyningen inden montering eller fjernelse af næsestykket eller tilbehøret.
- Brug kun tilbehør og forbrugsvarer af størrelser og typer, der anbefales af værktøjets producent; brug ikke tilbehør eller forbrugsvarer af andre typer eller størrelser.



### **1.6 ARBEJDSPLADSFARER**

- De vigtigste årsager til personskader på arbejdspladsen er, hvis man glider, snubler og falder. Pas på glatte overflader forårsaget af brug af værktøjet samt fare for fald forårsaget af luftledning eller hydraulikslange.
- Vær forsigtig i ukendte omgivelser. Der kan være skjulte farer, såsom strømledninger eller andre forbrugsledninger.
- Værktøjet er ikke beregnet til brug i potentielt eksplosive omgivelser og er ikke isoleret mod kontakt med elektrisk strøm.
- Sørg for, at der ikke er strømkabler, gasrør osv., som kan medføre fare, hvis de beskadiges ved brug af værktøjet.
- Bær hensigtsmæssig påklædning. Undgå løst tøj og smykker. Hold hår, tøj og handsker væk fra bevægelige dele. Løstsiddende tøj, smykker eller langt hår kan blive fanget i bevægelige dele.
- Pas på, at brugte stifter ikke udgør en fare.

### **1.7 STØJFARER**

- Eksponering for høje støjniveauer kan forårsage permanent, invaliderende høretab og andre problemer, såsom tinnitus (ringen, brummen, fløjten eller summen for ørerne). Derfor er det meget vigtigt at foretage risikovurdering og implementere passende kontroller for disse farer.
- Passende kontroller til at reducere risikoen kan omfatte handlinger såsom dæmpning af materialer for at forhindre, at arbejdssemner "ringer".
- Brug i overensstemmelse med arbejdsgiverens instruktioner og som påkrævet af arbejdsmiljøbestemmelser.
- Betjen og vedligehold værktøjet som anbefalet i brugsanvisningen for at forhindre unødvendig stigning i støjniveauet.
- Sørg for, at støjdæmperen i stiftopsamleren sidder på plads og er i god stand, når værktøjet betjenes.

### **1.8 VIBRATIONSFARER**

- Eksponering for vibrationer kan forårsage invaliderende skader på nerverne og blodforsyningen af hænder og arme.
- Tag varmt tøj på, når du arbejder under kolde forhold, og hold dine hænder varme og tørre.
- Hvis du oplever følelseløshed, prikken, smerter eller blegning af huden i fingrene eller hænderne, skal du stoppe med at bruge værktøjet, fortælle det til din arbejdsgiver og konsultere en læge.
- Hvor det er muligt, bør værktøjets vægt understøttes i et stativ, en strammer eller en balance, fordi et lettere greb derefter kan bruges til at understøtte værktøjet.

### **1.9 YDERLIGERE SIKKERHEDSINSTRUKTIONER FOR PNEUMATISKE ELVÆRKTØJER**

- Arbejdstrykket må ikke overstige 7 bar (100 PSI).
- Luft under tryk kan forårsage alvorlig personskade.
- Efterlad aldrig værktøjet uden opsyn. Frakobl luftslangen, når værktøjet ikke er i brug, før du skifter tilbehør eller når du udfører reparationer.
- Lad IKKE udblæsningsluft på stiftopsamleren vende mod operatøren eller andre personer. Ret aldrig luft mod dig selv eller andre.
- Piskende slanger kan forårsage alvorlig personskade. Kontrollér altid for beskadigede eller løse slanger og fittings.
- Tjek altid værktøjet for defekte dele og utætte luftslinger, inden det tages i brug. Undgå at sætte tunge genstande på luftslingerne. Et hårdt slag kan medføre indvendig skade på værktøjet, og føre til fejl i lufttilførslen.
- Kold luft skal rettes væk fra hænderne.
- Når der bruges universelle drejekoblinger (klokoblinger), skal der installeres låsestifter, og der skal bruges piskestop-sikkerhedskabler til at beskytte mod eventuel tilslutningsfejl mellem slange og værktøj eller slange og slange.
- Løft IKKE værktøjet med slangen. Brug altid værktøjets håndtag, når værktøjet skal flyttes.
- Udluftningshullerne må ikke blokeres eller dækkes.
- Undgå snavs og fremmedlegemer i værktøjets hydrauliksystem, da dette vil medføre funktionsfejl på værktøjet.

**STANLEY Engineered Fastening har en politik om løbende produktudvikling og forbedring, og forbeholder retten til at ændre specifikationen af ethvert produkt uden forudgående varsel.**

## 2. SPECIFIKATIONER

ProSet® XT3 & XT4 er hydropneumatiske værktøjer designet til at montere Stanley Engineered Fastening blindnitter ved høj hastighed. Værktøjerne har et vakuumsystem til fastholdelse af nitter og fejlfri opsamling af de brugte stifter uanset værktøjsretning.

Når dette sættes på det relevante værktøj, kan ProSet® XT3 og XT4 bruges til at montere blindnitter fra Ø 4,0mm til Ø 6,4 mm. Se tabellen på side 10 for en liste over alle nitter, der kan monteres.

Sikkerhedsadvarselne på side 2 og 4 skal altid følges.

**MÅ IKKE** anvendes under våde forhold eller i nærheden af brændbare væsker eller gasser.

### 2.1. VÆRKTØJSSPECIFIKATIONER

	XT3		XT4	
<b>Trækkekraft:</b> @ 5,5 bar	17,0 kN	3822 lbf	23,0 kN	5193 lbf
<b>Luftforsyningstryk:</b> Min. til maks.	5,0 - 7,0 bar	72,5 - 101,5 lbf/in <sup>2</sup>	5,0 - 7,0 bar	72,5 - 101,5 lbf/in <sup>2</sup>
<b>Olietryk:</b> Tryk @ 5,5 bar	290 bar	4206 lbf/in <sup>2</sup>	395 bar	5729 lbf/in <sup>2</sup>
<b>Slaglængde:</b> Minimum slaglængde	26,0 mm	1,02 in.	18,0 mm	0,91 in.
<b>Vægt:</b> Inkl. næseudstyr	2,24 kg	4,94 lb	2,26 kg	4,98 lb
<b>Vægt:</b> uden næseudstyr	2,00 kg	4,41 lb	2,02 kg	4,41 lb
<b>Luftforbrug:</b> @ 5,5 bar	6,3 l.	384,4 in <sup>3</sup>	6,3 l.	384,4 in <sup>3</sup>
<b>Cyklustid:</b> Ca.	0,9 sekunder		1,0 sekunder	

Støjværdier fastsat i henhold til støjtestkode ISO 15744 og ISO 3744.		XT3	XT4
A-vægtet lydeffektniveau dB(A), $L_{WA}$	Usikkerhed støj: $k_{WA} = 3,0$ dB(A)	90,3 dB(A)	89,7 dB(A)
A-vægtet emissionslydtrykniveau på arbejdsstationen dB(A), $L_{PA}$	Usikkerhed støj: $k_{PA} = 3,0$ dB(A)	79,3 dB(A)	78,7 dB(A)
C-vægtet maksimalt emissionslydtrykniveau dB(C), $L_{PC}$ maks.	Usikkerhed støj: $k_{PC} = 3,0$ dB(C)	82,7 dB(C)	81,5 dB(A)

Vibrationsværdier fastsat i henhold til vibrationstestkode ISO 20643 og ISO 5349.		XT3	XT4
Vibrationsemissionsniveau, $a_{hd}$ :		1,41 m/s <sup>2</sup>	1,80 m/s <sup>2</sup>
Usikkerhed vibration: k		0,70 m/s <sup>2</sup>	0,90 m/s <sup>2</sup>
Erklærede vibrationsværdier i overensstemmelse med EN 12096			

## 2.2 SPECIFIKATIONER FOR PLACERING

Nittetype	Nittediameter mm [tommer]										
	4 [5/32]	4,3	4,8 [3/16]	6	6,4 [1/4]	7	8	9	10	11	12
Åben nitte	●*		●**		●						
Lukket nitte	●*		●**		●						
HR	●*		●		●						
HS					● (3)						
Multigreb	●*		●**		●						
TL	●*		●								
T-Rivet (Emhart)	●*		●		●						
Self-Plugger	●*		●		●						
Ultra Grip (UG) (NPR)					⊗ (3)						
CD					● (3)						
Avex <sup>®</sup>	● (2)		● (2)		● (2)						
Stavex <sup>®</sup>	● (2)		● (2)		● (1)(3)						
Avinox <sup>®</sup> / Avibulb <sup>®</sup>	● (2)		● (2)	● (2)							
Avinox <sup>®</sup> XT / Avibulb <sup>®</sup> XT					● (1)(3)						
LSR/Bulbex <sup>®</sup>	● (2)		● (2)								
T-Lok <sup>®</sup>		● (2)	● (2)								
Avdel <sup>®</sup> SR	● (2)		● (2)		● (2)						
Hemlok <sup>®</sup>					● (1)(3)						
Interlock <sup>®</sup>			⊗ (2)		⊗ (1)(3)						
Maxlok <sup>®</sup>			● (3)		⊗ (3)						
Monobolt <sup>®</sup>			⊗ (1)(2)		⊗ (1)(3)						
Avtainer <sup>®</sup>									⊗ (1)(3)		
Avseal <sup>®</sup> (STD)				● (1)(3)		● (1)(3)	● (1)(3)	● (1)(3)	⊗ (1)(3)		
Avseal <sup>®</sup> (Lavt tryk)							● (1)(3)	● (1)(3)	● (1)(3)	⊗ (1)(3)	⊗ (1)(3)
Q Rivet	● (2)		● (2)		● (2)						
T Rivet (Avdel)			● (1)(2)		● (1)(2)						
Avdelmate <sup>®</sup>			● (2)		● (2)						
Klamp-Tite <sup>®</sup> BAPK			⊗ (2)		⊗ (2)						
Klamp-Tite <sup>®</sup> BAPKTR			⊗ (1)(2)		⊗ (1)(2)						
Avdelok <sup>®</sup>			● (3)		⊗ (3)						

\* Brug PRG540-46 kæber og FAN276-064 trykstykke m. rør

\*\* Brug PRG540-46 kæber.

● Gælder både for XT3- og XT4-værktøjet

⊗ Gælder kun for XT3-værktøjet

⊗ Gælder kun for XT4-værktøjet

(1) Ikke-standard næsemøtrik påkrævet

(2) Alternative typer næseudstyr tilgængeligt

(3) Ikke-standard næseudstyr påkrævet.

For at få en komplet liste over kompatibelt næseudstyr til hver type nitte, samt monterings- og vedligeholdelsesanvisninger, bedes du se vejledningen til ProSet® næseudstyr 07900-09414

### 2.3 PAKKEINDHOLD

- 1 ProSet® XT3 eller XT4 værktøj til blindnitter.
- 1 sæt standard næseudstyr og næsemøtrikker til 4,8 mm [3/16"] og 6,4 mm [1/4"] nitter.
- 1 trykt betjeningsvejledning – afhængig af region.

### 2.4 LISTE OVER KOMPONENTER

Se figur 1 og 2 samt tabellen herunder.

Element	Reservedelsnummer	Beskrivelse	Antal
1	76003-15000*	Standard forstykke	1
2	76003-02022	Ophængsbøjle	1
3	76003-05200	Stiftopsamler	1
4	07001-00405	Olieprop	1
5	07003-00194	Pakning	1
6	76003-02008	Aftrækker	1
7	76003-03700	Til/fra-ventil	1
8	71210-02103	Låsemøtrik	1

### 2.5 STANDARD NÆSEUDSTYR

Se figur 2 samt tabellen herunder.

Element	Reservedelsnummer	Beskrivelse	Antal
1c	PRN614	Næsemøtrik - 4,8 mm [3/16"] (Monteret)	1
1d	PRN811	Næsemøtrik - 6,4 mm [1/4"]	1
1e	76003-15001	Næsehus	1
1f	07003-00067	O-ring	1
1g	DPN276-001	Kæbehus	1
1h	PRG540-44	Kæber	1 sæt
1i	DPN276-006	Trykstykke	1
1j	DPN900-060	O-ring	1
1k	DPN901-019	Kæbefjeder	1
1l	76003-15002	Trækhead	1
1m	76003-15004	Kæbehuslås	1
1n	DPN901-020	Fjeder	1
1o	76003-15003	Trækstykke	1
1p	07003-00277	O-ring	1

For yderligere næseudstyr henvises der til vejledningen til ProSet® næseudstyr 07900-09414, eller du kan gå ind på [www.stanleyengineeredfastening.com/resource-center/document-library](http://www.stanleyengineeredfastening.com/resource-center/document-library)

For at få en komplet liste over værktøjstilbehør bedes du se vejledningen til ProSet-tilbehør 07900-09415.

\* Næseudstyr leveres ikke med Proset XT3 Baseværktøj (76003-01000) og Proset XT4 Baseværktøj (76004-01000).

### 3. VÆRKTØJSINSTRUKTIONER

**FORSIGTIG – LÆS OMHYGGELEGT SIKKERHEDSADVARSLERNE PÅ SIDE 6 OG 8 FØR VÆRKTØJET TAGES I BRUG.**

**VIGTIGT - LUFTTILFØRSLEN SKAL ALTID FRAKOBLES FØR MONTERING ELLER AFMONTERING AF NÆSEN.**

#### 3.1 NÆSEUDSTYR (Ref. fig. 2)

Varenumre med fed skrift refererer til komponenterne på figur 1 og 2 og tabellerne på side 11.

Det komplette værktøj leveres monteret på forhånd med næsemøtrik til 4,8 mm [3/16"] nitter.

En yderligere næsemøtrik til 6,4 mm [1/4"] nitter leveres separat.

#### Montering af næsemøtrik

- Lufttilførslen skal frakobles.
- Vælg den korrekte næsemøtrik til den nitte, der skal monteres.
- Fjern forstykket (**1e**), inklusive næsemøtrik (**1a, b, c eller d**) og O-ring (**1f**)
- Fjern næsemøtrikken (**1a, b, c eller d**) fra forstykket (**1e**)
- Vælg den relevante størrelse næsemøtrik og monter det i modsat rækkefølge.

#### Afmontering af næseudstyret.

- Lufttilførslen skal frakobles.
- Fjern forstykket (**1e**), inklusive næsemøtrikken (**1a, b, c eller d**), og O-ringen (**1f**), fra værktøjet.
- Træk kæbehuslåsen (**1m**) tilbage mod fjederen (**1n**), og fjern derefter kæbehuset (**1g**).
- Fjern kæberne (**1h**) fra kæbehuset (**1g**).
- Fjern trykstykket (**1i**), O-ringen (**1j**) og kæbefjederen (**1k**) fra trækstykket (**1l**).
- Afmontér trækstykkemaslingen (**1q**) fra hydraulikstemplet med skruenøgler.

#### Montering af hele næseudstyret

- Lufttilførslen skal frakobles
- Slidte eller beskadigede dele skal udskiftes.
- Rengør og kontrollér slid på kæber (**1h**).
- Sørg for, at trykstykket (**1i**) eller kæbefjederen (**k**) ikke er fejlmonterede.
- Smør kæberne (**1h**) let med moly lithium-smørelse.
- Sæt kæberne (**1h**) ind i kæbehuset (**1g**).
- Indsæt trykstykket (**1i**) og O-ringen (**1j**) i trækstykket (**1l**).
- Træk kæbehuslåsen (**1m**) tilbage, og skru kæbehuset (**1g**) helt fast på trækstykket (**1l**).
- Frigør kæbehuslåsen (**1m**) og løsn derefter kæbehuset (**1g**) delvist, indtil kæbehuslåsens (**1m**) tænder klikker ind i den næste åbning på kæbehuset (**1g**).
- Anbring forstykket (**1e**) over kæbehuset (**1g**), og spænd det helt på værktøjet.

Der skal udføres service på næsesamlinger med ugentlige intervaller. Du bør have alle indvendige komponenter af næsesamlingen og næsemøtrikker på lager, da de skal udskiftes regelmæssigt.

#### 3.2 LUFTFORSYNING (Ref. fig. 3)

Komponenter

- A. Stophane (bruges under vedligeholdelse af filter/regelmæssige eller smurte enheder)
- B. Trykregulator og filter (dagligt dræn)
- C. Drænpunkt for hovedforsyning
- D. Startpunkt fra hovedforsyning

- Alle værktøjer drives med komprimeret luft ved et minimum tryk på 5,0 bar.
- Hvis trykregulatorer og vandudskillere kræves, skal det monteres inden for 3 meter af værktøjet (se fig. 3).
- Luftslangene vil have et minimum effektivt arbejdsstryk på 150% af det maksimale tryk produceret i systemet eller 10 bar, alt efter hvilket der er det højeste.
- Luftslinger skal være olieresistente, være slidstærke udvendigt og være forstærket, hvor megen brug kan resultere i, at slanger bliver beskadiget.

- Alle luftslanger SKAL have en boringsdiameter på minimum 6,4 millimeter.
- Efterse for luftlækager. Hvis beskadiget skal slanger og koblinger udskiftes med nye.
- Hvis der ikke findes et filter på trykregulatoren, udluft luftledningen for at rydde det for ophobet snavs eller vand før tilslutning af luftslangen til værktøjet.

### 3.3 DRIFT

**FORSIGTIG - ET KORREKT FORSYNINGSTRYK ER VIGTIGT FOR INSTALLATIONSVÆRKTØJETS KORREKTE FUNKTION. PERSONSKADE ELLER BESKADIGELSE AF Udstyret kan ske uden korrekte tryk. FORSYNINGSTRYKKET MÅ IKKE OVERSTIGE DET, DER ER ANGIVET I VÆRKTØJSSPECIFIKATIONEN**

Varenumre med fed skrift refererer til komponenterne på figur 1 og 2 og tabellerne på side 11.

Når luftslangen er forbundet til værktøjet, styres værktøjets træk- og returcyklusser ved at aktivere og slippe aftrækkeren (6) placeret i håndtaget.

- Lufttilførslen er frakoblet.
- Tilslut det passende næseudstyr, som beskrevet på side 10 og 12.
- Slut luftslangen til luftindgangen ved til/fra ventilen (7).
- Tilslut luftslangen til luftforsyningen.
- Tænd for luftforsyningen til værktøjet ved at skubbe luft til/fra-ventilen (7) til op-positionen.
- Værktøjet forsynes nu med luft, og vakuumsystemet er i drift.
- Tryk og slip aftrækkeren (6), for at kontrollere værktøjets slaglængde. Observér værktøjets bevægelse. Kontroller for væske-og/eller luftlækager.

## 4. NITTEMONTERING

### 4.1 BETJENING AF VÆRKTØJ (Ref. fig. 1, 4, 5, 6)

#### Montering af blindnitte

- Sørg for, at stiftopsamleren (3) er monteret.
- Indsæt nitten i næsemøtrikken (1a, b, c eller d). Vakuumsystemet fastholder nitten i næsemøtrikken.
- Anbring værktøjet.
- Sørg for at forstykket holdes i den rette vinkel (90°) i forhold til arbejdsemnet.
- Tryk i og hold aftrækkeren (6), indtil nitten er indsat helt i emnet.
- Når nitten er helt indsat, skal aftrækkeren (6) slippes. Værktøjet vender automatisk tilbage til udgangspositionen. Stiften suges automatisk ind i stiftopsamleren (3) af vakuumsystemet.
- Stiftopsamleren skal tømmes, inden den er halvt fuld.

**FORSIGTIG –TVING IKKE ISÆTTELSE AF EN NITTESTIFT I VÆRKTØJET. DETTE VIL BESKADIGE VÆRKTØJET OG/ELLER ANVENDELSEN.**

### 4.2 TØMNING AF STIFTOPSAMLER (Ref. fig. 1)

#### FORSIGTIG - BRUG IKKE VÆRKTØJET, NÅR STIFTOPSAMLEREN ER FJERNET

- Værktøjet er udstyret med en stiftopsamler til hurtig af- og påmontering (3).
- En rotation på 60° fjerner eller stiftopsamleren dornsamleren.
- Hvis stiftopsamleren (3) fjernes fra værktøjet, slås vakuumsystemet til fastholdelse af nitte og stiftopsamling automatisk FRA.
- Hvis stiftopsamleren genmonteres, slås vakuumsystemet TIL.

## 5. VEDLIGEHOLDELSE AF VÆRKTØJET

### 5.1 VEDLIGEHOLDELSERINTERVALLER

Regelmæssig service skal udføres af uddannet personale, og en omfattende inspektion skal foretages årligt eller efter hver 500.000 monteringer, alt efter hvad der kommer først.



FRAKOBL LUFTFORSYNING



**FORSIGTIG** - Brug aldrig opløsningsmidler eller andre kraftige kemikalier til at rengøre værktøjets ikke-metalliske dele.

Disse kemikalier kan svække de materialer, der anvendes i værktøjet.

### 5.2 NÆSEUDSTYR

Der skal udføres service på næsesamlinger med ugentlige intervaller eller efter hver 5.000 monteringer. Hav alle indvendige komponenter af næsesamlingen og næsemøtrikker på lager, da de skal udskiftes regelmæssigt.

- Frakobl luftforsyningen
- Fjern hele næsesamlingen ved hjælp af proceduren, der er beskrevet i afsnit 3.1.
- Efterse alle komponenter. Alle slidte eller beskadigede dele skal erstattes af nye.
- Kontrollér især slid på kæberne (**1h**).
- Rengør alle dele og påfør moly lithium Grease (07992-00020) på kæber (**1h**) og kæbehusets tilspidsede udboring (**1g**).
- Montér i overensstemmelse med påmonteringsanvisninger i afsnit 3.1.

### 5.3 DAGLIG VEDLIGEHOLDELSE

- Inden brug bør du se værktøjet, slangen og koblingerne efter for luftlækager og olielækager. Hvis det er beskadiget, skal du tage værktøjet ud af service og udskifte de berørte elementer med nye dele.
- Hvis der ikke findes et filter på trykregulatoren, udluft luftledningen for at rydde det for ophobet snavs eller vand før tilslutning af luftslangen til værktøjet. Dræn det, hvis der er et filter.
- Kontrollér, at næseudstyret (**1**) er passende til nitten, der skal monteres, og at det er påmonteret korrekt.
- Kontrollér at værktøjets slaglængde opfylder specifikationen (ref. 2.1).
- Stiftopsamlere (**3**) skal monteres på værktøjet.
- Kontrollér, at luftcylinderen sidder helt fast på værktøjskroppen.

### 5.4 UGENTLIG VEDLIGEHOLDELSE

- Se værktøjet, slangen og koblingerne efter for luftlækager og olielækager. Hvis det er beskadiget, skal du tage værktøjet ud af service og udskifte de berørte elementer med nye dele.

For komplette service-, fejlfindings- og vedligeholdelses-anvisninger henvises der til Servicevejledning nr. 07900-09410 for XT3 og 07900-09411 for XT4.

For sikkerhedsdata relateret til den smørelse og olie, der anvendes i dette værktøj, henvises der til Servicevejledning nr. 07900-09410 for XT3 og 07900-09411 for XT4.

### 5.5 MILJØBESKYTTELSE

Sørg for overensstemmelse med gældende bestemmelser for bortskaffelse. Bortskaf alle affaldsprodukter på et godkendt affaldsanlæg eller sted for ikke at udsætte personale og miljøet for farer.



## 6. EU-OVERENSSTEMMELSESERKLÆRING

### Original

Vi, **Avdel UK Limited; Stanley House, Works Road, Letchworth Garden City, Hertfordshire, SG6 1JY STOR-BRITANNIEN**, erklærer på eget ansvar at produktet:

**Beskrivelse**

ProSet® XT3 og ProSet® XT4 hydropneumatiske værktøjer til blindnitter

**Mærke/model**

POP-Avdel® / 76003 og POP-Avdel® / 76004

**Serienr.**

som denne erklæring vedrører, er i overensstemmelse med følgende standarder:

ISO 12100:2010	EN ISO 3744:2010
EN ISO 11202:2010	EN ISO 11148-1:2011
EN ISO 4413:2010	BS EN 28662-1:1993
EN ISO 4414:2010	EN ISO 20643:2008+A1:2012
EN ISO 28927-5:2009/A1:2015	

Teknisk dokumentation er udarbejdet i overensstemmelse med bilag 1, afsnit 1.7.4.1, i henhold til følgende direktiv:

**2006/42/EC Maskindirektivet**

UK bekendtgørelser 2008 nr.1597 - levering af maskiner (sikkerhed) regulativer henviser.

**A. K. Seewraj**
**Teknologimanager - EU Blind Fastening**

Avdel UK Limited; Stanley House, Works Road, Letchworth Garden City,  
Hertfordshire, SG6 1JY UK

**Underskrift**

**Sted for udstedelse**    **Letchworth Garden City**
**Dato for udstedelse**    **01.03.2017**


Denne maskine er i overensstemmelse med Maskindirektivet 2006/42/EF.

## 7. BESKYT DIN INVESTERING!

### 7.1 GARANTI FOR POP'AVDEL® VÆRKTØJ TIL BLINDNITTER

STANLEY Engineered Fastening garanterer, at alle luftværktøjer er blevet omhyggeligt fremstillet, og at de vil være fri for materiale- og udførelsesfejl under normal brug og service i en periode på et (1) år.

Denne garanti gælder kun for førstegangskøberen af værktøjet til oprindelig brug.

#### **Undtagelser:**

##### **Normal slitage.**

Periodisk vedligeholdelse, reparation, reservedele som følge af normal slitage er undtaget fra dækning.

##### **Forkert brug & misbrug.**

Fejl eller skader, som skyldes forkert betjening, opbevaring, forkert brug eller misbrug, ulykke eller forsømmelse som f.eks. fysisk skade er udelukket fra dækning.

##### **Uautoriseret service eller ændring.**

Mangler eller skader som følge af service, testjustering, installation, vedligeholdelse, ombygning eller ændring på nogen måde af andre end Engineered Fastening eller dets autoriserede servicecentre, er udelukket fra dækning.

Alle andre garantier, enten udtrykt eller underforstået, herunder eventuelle garantier for salgbarhed eller egnethed til formålet udelukkes hermed.

Skulle dette værktøj ikke leve op til garantien, skal du straks returnere værktøjet til det af vores fabriksautoriserede servicecentre, der ligger nærmest ved dig. For en liste over POP'Avdel® autoriserede servicecentre i USA eller Canada, kan du kontakte os på vores gratis nummer (877)364 2781.

Besøg vores websted **[www.StanleyEngineeredFastening.com](http://www.StanleyEngineeredFastening.com)** for at finde den nærmeste STANLEY Engineered Fastening filial udenfor USA og Canada.

STANLEY Engineered Fastening vil derefter gratis erstatte enhver del eller dele, som vi finder er defekte på grund af materiale- eller fabriktionsfejl og returnere værktøjet forudbetalt. Dette repræsenterer vores eneste forpligtelse under denne garanti.

STANLEY Engineered Fastening vil under ingen omstændigheder være ansvarlig for eventuelle følgeskader eller særlige skader, der følger af køb eller brug af dette værktøj.

### 7.2 REGISTRÉR DIT VÆRKTØJ TIL BLINDNITTER ONLINE.

Besøg os for at registrere din garanti online på

<http://www.stanleyengineeredfastening.com/popavdel-powertools/warranty-card>.

Tak fordi du har valgt et værktøj af mærket STANLEY Engineered Fastening's POP'Avdel®.



©2017 Stanley Black & Decker Inc.  
Alle Rechte vorbehalten.

Die bereitgestellten Informationen dürfen in keiner Weise durch irgendwelche Mittel (elektronisch oder mechanisch) vervielfältigt und/oder veröffentlicht werden, wenn keine vorherige ausdrückliche und schriftliche Genehmigung von STANLEY Engineered Fastening vorliegt. Die bereitgestellten Informationen basieren auf den Daten, die zum Zeitpunkt der Einführung dieses Produkts bekannt sind. STANLEY Engineered Fastening verfolgt eine Politik der ständigen Produktverbesserung und somit können die Produkte Änderungen unterliegen. Die bereitgestellten Informationen gelten für das Produkt wie von STANLEY Engineered Fastening geliefert. Daher haftet STANLEY Engineered Fastening nicht für Schäden, die aus Abweichungen von den ursprünglichen Spezifikationen des Produkts entstehen.

Die verfügbaren Informationen wurden mit größter Sorgfalt zusammengestellt. Allerdings übernimmt STANLEY Engineered Fastening keine Haftung für eventuelle Fehler in den Informationen noch für die Folgen davon. STANLEY Engineered Fastening haftet nicht für Schäden, die aus Tätigkeiten entstehen, die von Dritten ausgeführt werden. Die Arbeitsnamen, Handelsnamen, eingetragenen Marken usw., die von STANLEY Engineered Fastening verwendet werden, sollten gemäß den Rechtsvorschriften in Bezug auf den Schutz von Marken nicht als frei angesehen werden.

## INHALT

<b>1. SICHERHEITSDIFFINITIONEN .....</b>	<b>2</b>
1.1 ALLGEMEINE SICHERHEITSBESTIMMUNGEN .....	2
1.2 GEFAHREN DURCH UMHHERFLIEGENDE TEILE .....	2
1.3 BETRIEBSGEFAHREN.....	3
1.4 GEFAHREN DURCH WIEDERKEHRENDE BEWEGUNGEN .....	3
1.5 GEFAHREN DURCH ZUBEHÖR .....	3
1.6 GEFAHREN AM ARBEITSPLATZ .....	4
1.7 GEFAHREN DURCH LÄRM .....	4
1.8 GEFAHREN DURCH VIBRATIONEN .....	4
1.9 ZUSÄTZLICHE SICHERHEITSHINWEISE FÜR PNEUMATISCHE ELEKTROWERKZEUGE .....	4
<b>2. TECHNISCHE DATEN .....</b>	<b>5</b>
2.1. WERKZEUGSPEZIFIKATIONEN .....	5
2.2 SPEZIFIKATIONEN DER SETZKAPAZITÄT .....	6
2.3 VERPACKUNGSINHALT .....	7
2.4 LISTE DER HAUPTKOMPONENTEN.....	7
2.5 STANDARD-NIETAUSRÜSTUNG.....	7
<b>3. WERKZEUGEINRICHTUNG.....</b>	<b>8</b>
3.1 NIETAUSRÜSTUNG (siehe Abb. 2).....	8
3.2 LUFTZUFUHR (siehe Abb. 3).....	8
3.3 FUNKTIONSPRINZIP .....	9
<b>4. BETRIEBSWEISE .....</b>	<b>10</b>
4.1 BETRIEB DES WERKZEUGS (siehe Abb. 1, 4, 5, 6).....	10
4.2 LEEREN DES DORNKOLLEKTORS (siehe Abb. 1) .....	10
<b>5. WARTUNG DES WERKZEUGS .....</b>	<b>11</b>
5.1 HÄUFIGKEIT DER WARTUNG .....	11
5.2 NIETAUSRÜSTUNG.....	11
5.3 TÄGLICHE WARTUNG .....	11
5.4 WÖCHENTLICHE WARTUNG.....	11
5.5 UMWELTSCHUTZ.....	11
<b>6. EC-KONFORMITÄTSEKLRÄRUNG .....</b>	<b>12</b>
<b>7. SCHÜTZEN SIE IHRE INVESTITION! .....</b>	<b>13</b>
7.1 POP® AVDEL® BLINDNIETWERKZEUG GARANTIE .....	13
7.2 REGISTRIEREN SIE IHR BLINDNIETWERKZEUG ONLINE .....	13



Diese Betriebsanleitung ist von jeder Person zu lesen, die mit der Installation oder Inbetriebnahme dieses Werkzeugs befasst ist, wobei besonders die folgenden Sicherheitsregeln zu beachten sind.



Tragen Sie während des Betriebs des Werkzeugs stets einen stoßfesten Augenschutz. Die erforderliche Schutzart sollte für jeden Anwendungsfall bewertet werden.



Verwenden Sie einen Gehörschutz, der den Anweisungen des Arbeitgebers und den Arbeitsschutzbestimmungen entspricht.



Bei der Verwendung des Werkzeugs können die Hände des Bedieners Gefahren ausgesetzt werden, darunter Quetschungen, Stöße, Schnittverletzungen, Hautabschürfungen und Verbrennungen. Tragen Sie zum Schutz der Hände geeignete Handschuhe.

## 1. SICHERHEITSDEFINITIONEN

Im Folgenden wird die Relevanz der einzelnen Warnhinweise erklärt. Bitte lesen Sie die Betriebsanleitung und achten Sie auf diese Symbole.



**GEFAHR:** Weist auf eine unmittelbar drohende gefährliche Situation hin, die, sofern nicht vermieden, zu tödlichen oder schweren Verletzungen führt.



**WARNUNG:** Weist auf eine möglicherweise gefährliche Situation hin, die, sofern nicht vermieden, zu tödlichen oder schweren Verletzungen führen kann.



**VORSICHT:** Weist auf eine möglicherweise gefährliche Situation hin, die, sofern nicht vermieden, zu leichten oder mittelschweren Verletzungen führen kann.

**VORSICHT:** Wird der Begriff ohne Warnsymbol gebraucht, weist er auf eine potenziell gefährliche Situation hin, die bei Nichtbeachtung zu Sachschäden führen kann.

***Unsatzgemäßer Betrieb oder falsche Wartung dieses Produkts können zu schweren Verletzungen und Sachschäden führen. Machen Sie sich mit den Warnungen und Bedienanweisungen vertraut, bevor Sie dieses Gerät verwenden. Beim Gebrauch von hydropneumatischen Werkzeugen sind zum Schutz gegen Verletzungsgefahren immer die grundlegenden Sicherheitsvorschriften zu beachten.***

### BEWAHREN SIE ALLE WARNHINWEISE UND ANWEISUNGEN ZUM SPÄTEREN NACHSCHLAGEN AUF

#### 1.1 ALLGEMEINE SICHERHEITSBESTIMMUNGEN

- Da verschiedene Gefahren bestehen, lesen Sie die Sicherheitshinweise genau durch, bevor Sie das Gerät installieren, bedienen, reparieren, warten, Zubehörteile austauschen oder in der Nähe arbeiten. Andernfalls kann es zu schweren Verletzungen kommen.
- Nur qualifiziertes und geschultes Personal darf das Werkzeug installieren, einstellen oder benutzen.
- NICHT auf andere Weise verwenden als im Verwendungszweck unter „Setzen von STANLEY Engineered Fastening Blindnieten“ angegeben.
- Verwenden Sie nur Teile, Verbindungselemente und Zubehörteile, die vom Hersteller empfohlen werden.
- Nehmen Sie KEINE Veränderungen am Werkzeug vor. Veränderungen können die Wirksamkeit von Sicherheitsvorrichtungen beeinträchtigen und die Risiken für den Bediener erhöhen. Jede Änderung am Werkzeug durch den Kunden unterliegt einzig der vollen Verantwortung des Kunden und macht geltende Gewährleistungen ungültig.
- Werfen Sie Sicherheitshinweise nicht weg, sondern stellen dem Bediener zur Verfügung.
- Verwenden Sie das Werkzeug nicht, wenn es beschädigt ist.
- Prüfen Sie vor der Verwendung, ob bewegliche Teile verzogen oder ausgeschlagen, ob Teile gebrochen oder in einem Zustand sind, der den Betrieb des Werkzeugs beeinträchtigt. Bei Beschädigungen lassen Sie das Werkzeug warten, bevor Sie es verwenden. Entfernen Sie vor dem Gebrauch alle Einstellwerkzeuge oder Schraubenschlüssel.
- Die Werkzeuge sind regelmäßig zu überprüfen, um sicherzustellen, dass die von diesem Teil der ISO 11148 geforderten Nennwerte und Kennzeichnungen lesbar auf dem Werkzeug angebracht sind. Der Arbeitgeber/Verwender muss sich mit dem Hersteller in Verbindung setzen, um gegebenenfalls Ersatzkennzeichnungen zu erhalten.
- Das Werkzeug muss jederzeit in einem sicheren Betriebszustand gehalten und in regelmäßigen Abständen von geschultem Personal auf Beschädigungen und Funktion überprüft werden. Nur geschultes Personal darf das Gerät demontieren. Vor der Demontage dieses Werkzeugs ist die Wartungsanleitung zu lesen.

#### 1.2 GEFAHREN DURCH UMHERFLIEGENDE TEILE

- Trennen Sie die Luftzufuhr von dem Werkzeug, bevor Sie Wartungsarbeiten durchführen oder versuchen, eine Nietausrüstung oder Zubehör einzustellen, anzubringen oder abzunehmen.

- Beachten Sie, dass ein Ausfall des Werkstücks oder des Zubehörs oder auch des eingesetzten Werkzeugs selbst Hochgeschwindigkeitsprojekte erzeugen kann.
- Tragen Sie während des Betriebs des Werkzeugs stets einen stoßfesten Augenschutz. Die erforderliche Schutzart sollte für jeden Anwendungsfall bewertet werden.
- Auch Risiken für andere Personen sollten stets bewertet werden.
- Vergewissern Sie sich, dass das Werkstück sicher befestigt ist.
- Überprüfen, ob die Mittel zum Schutz vor dem Auswerfen von Verbindungselementen und/oder Dorn angebracht und funktionsfähig sind.
- Verwenden Sie das Werkzeug NICHT, wenn der Dornkollektor nicht installiert ist.
- Warnung vor dem möglichen heftigen Auswerfen von Dornen von der Vorderseite des Werkzeugs.
- Bedienen Sie das Werkzeug NICHT, wenn es auf Personen gerichtet ist.

### **1.3 BETRIEBSGEFAHREN**

- Bei der Verwendung des Werkzeugs können die Hände des Bedieners Gefahren ausgesetzt werden, darunter Quetschungen, Stöße, Schnittverletzungen, Hautabschürfungen und Verbrennungen. Tragen Sie zum Schutz der Hände geeignete Handschuhe.
- Bediener und Wartungspersonal müssen physisch in der Lage sein, mit dem Volumen, Gewicht und der Leistung des Werkzeugs umzugehen.
- Halten Sie das Werkzeug richtig fest und seien Sie stets bereit, normalen oder plötzlichen Bewegungen entgegenzuwirken, ggf. mit beiden Händen.
- Halten Sie die Werkzeuggriffe trocken, sauber und frei von Öl und Fett.
- Behalten Sie während der Arbeit mit dem Werkzeug immer eine ausgeglichene Körperposition und einen sicheren Stand.
- Lassen Sie die Start-/Stoppvorrichtung bei einer Unterbrechung der Luftzufuhr los.
- Verwenden Sie nur die vom Hersteller empfohlenen Schmierstoffe.
- Kontakt mit Hydraulikflüssigkeit sollte vermieden werden. Um die Möglichkeit von Hautausschlägen zu minimieren, sollten die betroffenen Stellen nach einem Kontakt sorgfältig abgewaschen werden.
- Material Sicherheitsdatenblätter für alle Hydrauliköle und Schmierstoffe erhalten Sie auf Anfrage bei Ihrem Werkzeuglieferanten.
- Vermeiden Sie ungeeignete Körperhaltungen, da sie es wahrscheinlich nicht ermöglichen, einer normalen oder unerwarteten Bewegung des Werkzeugs entgegenzuwirken.
- Wenn das Werkzeug an einer Aufhängevorrichtung befestigt ist, achten Sie darauf, dass die Befestigung sicher ist.
- Beachten Sie die Quetsch- oder Einklemmgefahren, wenn keine Nietausrüstung montiert ist.
- Werkzeug NICHT bedienen, wenn die Mundstückhülse entfernt wurde.
- Vor der Arbeit müssen die Hände des Bedieners ausreichenden Abstand zum Werkstück haben.
- Wenn das Werkzeug an einen anderen Ort gebracht wird, halten Sie die Hände vom Auslöser fern, um eine unbeabsichtigte Aktivierung zu vermeiden.
- Missbrauchen Sie das Werkzeug nicht, indem Sie es herunterfallen lassen oder als Hammer verwenden.
- Es ist darauf zu achten, dass verbrauchte Dorne keine Gefahr darstellen.
- Der Dornkollektor muss entleert werden, wenn er etwa halb voll ist.

### **1.4 GEFAHREN DURCH WIEDERKEHRENDE BEWEGUNGEN**

- Bei Verwendung des Werkzeugs können in den Händen, Armen, Schultern, Nacken oder anderen Körperteilen des Bedieners Beschwerden auftreten.
- Bei Verwendung des Werkzeugs sollte der Bediener eine bequeme Haltung einnehmen, gleichzeitig aber sicher stehen und unausgewogene Körperhaltungen vermeiden. Der Bediener sollte bei länger dauernden Aufgaben seine Körperhaltung regelmäßig verändern, um Beschwerden und Ermüdung zu vermeiden.
- Falls der Bediener Symptome wie anhaltende oder wiederkehrende Beschwerden, Schmerzen, Pochen, Kribbeln, Taubheit, Brennen oder Steifheit verspürt, sollten diese Warnzeichen nicht ignoriert werden. Der Bediener sollte seinen Arbeitgeber informieren und sich an einen qualifizierten Arzt wenden.

### **1.5 GEFAHREN DURCH ZUBEHÖR**

- Trennen Sie das Werkzeug von der Luftzufuhr, bevor Sie die Mundstückbaugruppe oder das Zubehör anbringen oder entfernen.
- Verwenden Sie nur Größen und Typen von Zubehör und Verbrauchsmaterialien, die vom Hersteller des Werkzeugs empfohlen werden; andere Typen oder Größen von Zubehör oder Verbrauchsmaterialien sind nicht zulässig.

### **1.6 GEFAHREN AM ARBEITSPLATZ**

- Ausrutschen, Stolpern und Stürzen sind die Hauptursachen für Verletzungen am Arbeitsplatz. Achten Sie auf rutschige Oberflächen, die durch den Einsatz des Werkzeugs verursacht werden, sowie auf Stolperfallen durch die Luftleitung oder den Hydraulikschlauch.
- Gehen Sie in ungewohnter Umgebung besonders vorsichtig vor. Es kann verborgene Gefahren wie Stromleitungen oder andere Versorgungsleitungen geben.
- Das Werkzeug ist nicht für den Einsatz in explosionsgefährdeten Bereichen bestimmt und ist nicht gegen Kontakt mit Strom geschützt.
- Stellen Sie sicher, dass keine elektrischen Kabel, Gasleitungen usw. vorhanden sind, die eine Gefahr verursachen können, falls sie mit dem Werkzeug beschädigt werden.
- Tragen Sie geeignete Kleidung. Tragen Sie keine weite Kleidung und keinen Schmuck. Halten Sie Ihre Haare, Kleidung und Handschuhe von beweglichen Teilen fern. Lose sitzende Kleidung, Schmuck oder lange Haare können sich in den beweglichen Teilen verfangen.
- Es ist darauf zu achten, dass verbrauchte Dorne keine Gefahr darstellen.

### **1.7 GEFAHREN DURCH LÄRM**

- Belastung durch hohe Geräuschpegel kann zu dauerhaften Behinderungen, Hörverlust und anderen Problemen wie Tinnitus (Klingeln, Summen, Pfeifen oder Brummen in den Ohren) führen. Die Risikobewertung und die Einführung geeigneter Kontrollen für diese Gefahren sind daher von wesentlicher Bedeutung.
- Zu den geeigneten Maßnahmen zur Verringerung des Risikos gehören unter anderem Maßnahmen zum Dämpfen von Materialien, um zu verhindern, dass Werkstücke „klingeln“.
- Verwenden Sie einen Gehörschutz, der den Anweisungen des Arbeitgebers und den Arbeitsschutzbestimmungen entspricht.
- Bedienen und warten Sie das Gerät gemäß den Empfehlungen in der Betriebsanleitung, um einen unnötigen Anstieg des Geräuschpegels zu vermeiden.
- Stellen Sie sicher, dass der Schalldämpfer im Dornkollektor angebracht und in einwandfreiem Zustand ist, wenn das Werkzeug betrieben wird.

### **1.8 GEFAHREN DURCH VIBRATIONEN**

- Einwirkung von Vibrationen kann zu Behinderungen der Nerven und der Blutversorgung der Hände und Arme führen.
- Tragen Sie bei kalten Bedingungen warme Kleidung und halten Sie Ihre Hände warm und trocken.
- Wenn Sie Taubheitsgefühl, Kribbeln, Schmerzen oder Weißwerden der Haut in Ihren Fingern oder Händen feststellen, hören Sie auf, den Schrauber zu verwenden, informieren Sie Ihren Arbeitgeber und wenden Sie sich an einen Arzt.
- Wenn möglich, stützen Sie das Gewicht des Werkzeugs in einem Ständer, einer Einspann- oder Ausgleichsvorrichtung ab, da sich das Werkzeug dann einfacher bedienen lässt.

### **1.9 ZUSÄTZLICHE SICHERHEITSHINWEISE FÜR PNEUMATISCHE ELEKTROWERKZEUGE**

- Der Druck der Versorgungsluft darf 7 bar (100 PSI) nicht überschreiten.
- Unter Druck stehende Luft kann zu schweren Verletzungen führen.
- Lassen Sie ein laufendes Werkzeug niemals unbeaufsichtigt. Trennen Sie den Luftschlauch von der Pumpeneinheit, wenn das Werkzeug nicht in Gebrauch ist bzw. bevor Sie Zubehör austauschen oder Reparaturen durchführen.
- Die Entlüftungsöffnung des Dornkollektors darf NICHT in Richtung des Bedieners oder anderer Personen geöffnet werden. Richten Sie den Luftstrom keinesfalls auf sich selbst oder andere Personen.
- Umherreichende Schläuche können zu schweren Verletzungen führen. Führen Sie immer eine Überprüfung auf beschädigte oder lose Schläuche und Armaturen durch.
- Überprüfen Sie das Gerät vor dem Gebrauch auf Schäden; alle Anschlüsse müssen sicher sein. Lassen Sie keine schweren Gegenstände auf Schläuche fallen. Heftige Stöße können zu internen Beschädigungen und zu vorzeitigem Schlauchversagen führen.
- Kalte Luft muss von den Händen weg gerichtet werden.
- Bei Verwendung von Universal-Drehkupplungen (Klauenkupplungen) sind zum Schutz gegen möglichen Ausfall von Schlauch-Werkzeug- oder Schlauch-Schlauch-Verbindungen Sicherungsstifte anzubringen und Sicherheitskabel zu verwenden.
- Heben Sie das Setzwerkzeug NICHT am Schlauch an. Verwenden Sie dazu immer den Griff des Setzwerkzeugs.
- Lüftungsöffnungen dürfen nicht blockiert oder abgedeckt werden.
- Halten Sie Schmutz und Fremdkörper aus dem Hydrauliksystem des Werkzeugs fern, da sonst Fehlfunktionen auftreten können.

**STANLEY Engineered Fastening verfolgt eine Politik der ständigen Produktweiterentwicklung und Verbesserung und wir behalten uns das Recht vor, die technischen Daten eines Produkts ohne vorherige Ankündigung zu ändern.**

---

## 2. TECHNISCHE DATEN

Die Modelle ProSet® XT3 & XT4 sind hydro-pneumatische Werkzeuge, mit denen Blindniete von Stanley Engineered Fastening mit hoher Geschwindigkeit gesetzt werden können. Die Werkzeuge verfügen über ein Vakuumsystem zur Nietrückhaltung und zum problemlosen Auffangen der verbrauchten Dorne unabhängig von der Werkzeughaltung.

In Verbindung mit dem entsprechenden Nietausrüstungen können das ProSet® XT3 & XT4 verwendet werden, um Blindniete in der Größe von Ø4,0mm bis Ø6,4mm zu setzen. Die Tabelle auf Seite 10 enthält eine Liste aller Niete, die gesetzt werden können.

Die Sicherheitsanweisungen auf den Seiten 2 & 4 müssen jederzeit eingehalten werden.

**NICHT VERWENDEN** in nasser Umgebung oder in der Nähe von entflammaren Flüssigkeiten oder Gasen.

### 2.1. WERKZEUGSPEZIFIKATIONEN

	XT3		XT4	
<b>Zugkraft:</b> bei 5,5 bar	17,0 kN	3822 lbf	23,0 kN	5193 lbf
<b>Luftzufuhrdruck:</b> Min. bis Max.	5,0 - 7,0 bar	72,5 - 101,5 lbf/in <sup>2</sup>	5,0 - 7,0 bar	72,5 - 101,5 lbf/in <sup>2</sup>
<b>Öldruck:</b> Zug bei 5,5 bar	290 bar	4206 lbf/in <sup>2</sup>	395 bar	5729 lbf/in <sup>2</sup>
<b>Hub:</b> Minimaler Kolbenhub	26,0 mm	1,02 in.	18,0 mm	0,91 in.
<b>Gewicht:</b> Inkl. Mundstück und Ziehschraube	2,24 kg	4,94 lb	2,26 kg	4,98 lb
<b>Gewicht:</b> Gewicht ohne Nietausrüstung	2,00 kg	4,41 lb	2,02 kg	4,41 lb
<b>Freies Luftvolumen:</b> bei 5,5 bar	6,3 l	384,4 in <sup>3</sup>	6,3 l	384,4 in <sup>3</sup>
<b>Zyklusdauer:</b> Etwa	0,9 Sekunden		1,0 Sekunden	

Geräuschwerte bestimmt gemäß Geräuschmessverfahren ISO 15744 und ISO 3744.		XT3	XT4
A-bewerteter Schallleistungspegel dB(A), L <sub>WA</sub>	Messunsicherheit Geräusche: k <sub>WA</sub> = 3,0 dB(A)	90,3 dB(A)	89,7 dB(A)
A-bewerteter Emissionsschalldruckpegel am Arbeitsplatz dB(A), L <sub>pA</sub>	Messunsicherheit Geräusche: k <sub>pA</sub> = 3,0 dB(A)	79,3 dB(A)	78,7 dB(A)
C-bewerteter Spitzenemissionsschalldruckpegel dB(C), L <sub>pC</sub> , peak	Messunsicherheit Geräusche: k <sub>pC</sub> = 3,0 dB(C)	82,7 dB(C)	81,5 dB(A)

Schwingungswerte bestimmt gemäß Schwingungsmessverfahren ISO 20643 und ISO 5349.		XT3	XT4
Schwingungsabgabenniveau, a <sub>hd</sub> :		1,41 m/s <sup>2</sup>	1,80 m/s <sup>2</sup>
Messunsicherheit Vibrationen: k		0,70 m/s <sup>2</sup>	0,90 m/s <sup>2</sup>
Angegebene Schwingungsabgabewerte gemäß EN 12096			



## 2.2 SPEZIFIKATIONEN DER SETZKAPAZITÄT

Niettyp	Nietdurchmesser mm [Zoll]										
	4 [5/32]	4,3	4,8 [3/16]	6	6,4 [1/4]	7	8	9	10	11	12
Offen	●*		●**		●						
Geschlossen	●*		●**		●						
HR	●*		●		●						
HS					● (3)						
Multi-Grip	●*		●**		●						
TL	●*		●								
T-Rivet (Emhart)	●*		●		●						
Self-Pluggen	●*		●		●						
Ultra Grip (UG) (NPR)					⊗ (3)						
CD					● (3)						
Avex®	● (2)		● (2)		● (2)						
Stavex®	● (2)		● (2)		● (1)(3)						
Avinox®/ Avibulb®	● (2)		● (2)	● (2)							
Avinox®XT / Avibulb®XT					● (1)(3)						
LSR/Bulbex®	● (2)		● (2)								
T-Lok®		● (2)	● (2)								
Avdel® SR	● (2)		● (2)		● (2)						
Hemlok®					● (1)(3)						
Interlock®			⊗ (2)		⊗ (1)(3)						
Maxlok®			● (3)		⊗ (3)						
Monobolt®			⊗ (1)(2)		⊗ (1)(3)						
Avtainer®									⊗ (1)(3)		
Avseal® (STD)				● (1)(3)		● (1)(3)	● (1)(3)	● (1)(3)	⊗ (1)(3)		
Avseal® (Low Press)							● (1)(3)	● (1)(3)	● (1)(3)	⊗ (1)(3)	⊗ (1)(3)
Q Rivet	● (2)		● (2)		● (2)						
T Rivet (Avdel)			● (1)(2)		● (1)(2)						
Avdelmate®			● (2)		● (2)						
Klamp-Tite® BAPK			⊗ (2)		⊗ (2)						
Klamp-Tite® BAPKTR			⊗ (1)(2)		⊗ (1)(2)						
Avdelok®			● (3)		⊗ (3)						

\* Verwenden Sie die Spannbacken PRG540-46 und Spannbackenspreizerbaugruppe FAN276-064

\*\* Verwenden Sie die Spannbacken PRG540-46.

● Gilt für die Werkzeuge XT3 und XT4

⊗ Gilt nur für XT3-Werkzeug

⊗ Gilt nur für XT4-Werkzeug

(1) Nicht-Standard-Mundstück erforderlich

(2) Alternative Nietausrüstung erhältlich

(3) Nicht-Standard-Nietausrüstung erforderlich.

Eine vollständige Liste der kompatiblen Nietausrüstungen für jeden Niettyp sowie die Montage- und Wartungsanleitungen entnehmen Sie bitte dem Handbuch für ProSet® Nietausrüstungen 07900-09414.

### 2.3 VERPACKUNGSMENGE

- 1 Blindnietwerkzeug ProSet® XT3 oder XT4.
- 1 Set Standard-Mundstück und -Nietausrüstungen für Nieten der Größen 4,8mm [3/16"], und 6,4mm [1/4"].
- 1 gedruckte Betriebsanleitung – je nach Region.

### 2.4 LISTE DER HAUPTKOMPONENTEN

Siehe Abbildung 1 & 2 und die nachfolgende Tabelle.

Element	Artikelnummer	Beschreibung	Menge
1	76003-15000*	Standard-Nietausrüstung	1
2	76003-02022	Aufhängehaken	1
3	76003-05200	Dornkollektor	1
4	07001-00405	Ölstopfen	1
5	07003-00194	Dichtung	1
6	76003-02008	Auslöser	1
7	76003-03700	Ein/Aus-Ventil	1
8	71210-02103	Sicherungsmutter	1

### 2.5 STANDARD-NIETAUSRÜSTUNG

Siehe Abbildung 2 und die nachfolgende Tabelle.

Element	Artikelnummer	Beschreibung	Menge
1c	PRN614	Mundstück - 4,8mm [3/16"] (montiert)	1
1d	PRN811	Mundstück - 6,4mm [1/4"]	1
1e	76003-15001	Mundstückhülse	1
1f	07003-00067	O-Ring	1
1g	DPN276-001	Spannbackenpatrone	1
1h	PRG540-44	Spannbacken	1 Set
1i	DPN276-006	Spannbackenspreizer	1
1j	DPN900-060	O-Ring	1
1k	DPN901-019	Spannbackenspreizerfeder	1
1l	76003-15002	Ziehkopf	1
1m	76003-15004	Spannbackenpatronensicherung	1
1n	DPN901-020	Feder	1
1o	76003-15003	Ziehkopfadapter	1
1p	07003-00277	O-Ring	1

Weitere Nietausrüstungen finden Sie im Handbuch für ProSet® Nietausrüstungen 07900-09414 oder auf [www.stanleyengineeredfastening.com/resource-center/document-library](http://www.stanleyengineeredfastening.com/resource-center/document-library)

Eine vollständige Liste des Werkzeugzubehörs finden Sie im ProSet Zubehörhandbuch 07900-09415.

\* Zum Lieferumfang der Basiswerkzeuge Proset XT3 (76003-01000) und Proset XT4 (76004-01000) gehören keine Nietausrüstungen.

### 3. WERKZEUGEINRICHTUNG

**WICHTIG - LESEN SIE VOR INBETRIEBNAHME DIE SICHERHEITSANWEISUNGEN AUF SEITE 6 & 8 GRÜNDLICH DURCH.**

**WICHTIG - DIE LUFTZUFUHR MUSS VOR DEM EINSETZEN ODER ENTFERNEN DES MUNDSTÜCKS AUSGESCHALTET ODER AUSGESTECKT WERDEN.**

#### 3.1 NIETAUSRÜSTUNG (siehe Abb. 2)

Die fettgedruckten Artikelnummern beziehen sich auf die Komponenten in den Abbildungen 1 & 2 und die Tabellen auf Seite 11.

Das komplette Werkzeug wird vormontiert mit dem Mundstück für Niete der Größe 4,8mm [3/16"] geliefert. Ein zusätzliches Mundstück für 6,4mm [1/4"] große Niete ist separat lieferbar.

#### Anbringen des Mundstücks

- Die Luftzufuhr muss getrennt werden.
- Wählen Sie das richtige Mundstück für die einzusetzenden Niete.
- Entfernen Sie die Mundstückhülse (**1e**), inklusive Mundstück (**1a,b,c, oder d**) und O-Ring (**1f**).
- Entfernen Sie das Mundstück (**1a,b,c oder d**) aus der Mundstückhülse (**1e**)
- Nehmen Sie das Mundstück in der gewünschten Größe und führen Sie den Zusammenbau in umgekehrter Reihenfolge wie beim Auseinanderbauen durch.

#### Entfernen der kompletten Nietausrüstung.

- Die Luftzufuhr muss getrennt werden.
- Entfernen Sie die Mundstückhülse (**1e**), inklusive Mundstück (**1a,b,c oder d**) und den O-Ring (**1f**) vom Werkzeug.
- Ziehen Sie Spannbackenpatronensicherung (**1m**) gegen die Feder zurück (**1n**) und nehmen Sie dann die Spannbackenpatrone (**1g**) heraus.
- Entfernen Sie die Spannbacken (**1h**) von der Spannbackenpatrone (**1g**).
- Entfernen Sie Spannbackenspreizer (**1i**), O-Ring (**1j**) und Spannbackenspreizerfeder (**1k**) vom Ziehkopf (**1l**).
- Entfernen Sie die Ziehkopfbaugruppe (**1q**) mit Hilfe von Schraubenschlüsseln vom Werkzeugkolben.

#### Anbringen der Nietausrüstung

- Die Luftzufuhr muss getrennt werden.
- Verschlossene oder beschädigte Teile müssen ersetzt werden.
- Reinigen Sie die Spannbacken und kontrollieren Sie sie auf Verschleiß (**1h**).
- Stellen Sie sicher, dass der Spannbackenspreizer (**1i**) und die Spannbackenspreizerfeder (**k**) nicht verzogen sind.
- Tragen Sie etwas Moly-Lithium-Fett auf die Spannbacken (**1h**) auf.
- Lassen Sie die Spannbacken (**1h**) in die Spannbackenpatrone (**1g**) fallen.
- Setzen Sie den Spannbackenspreizer (**1i**) und den O-Ring (**1j**) in den Ziehkopf (**1l**) ein.
- Ziehen Sie die Spannbackenpatronensicherung (**1m**) zurück und schrauben Sie die Spannbackenpatrone (**1g**) vollständig auf den Ziehkopf (**1l**) auf.
- Lassen Sie die Spannbackenpatronensicherung (**1m**) los und schrauben Sie die Spannbackenpatrone (**1g**) dann teilweise los, bis der Zahn der Spannbackenpatronensicherung (**1m**) im nächsten Schlitz an der Spannbackenpatrone (**1g**) einrastet.
- Setzen Sie die Mundstückhülse (**1e**) über die Spannbackenpatrone (**1g**) und ziehen Sie sie vollständig am Werkzeug fest.

Mundstücke sollten in wöchentlichen Abständen gewartet werden. Sie sollten einen Vorrat an allen inneren Komponenten der Nietausrüstung sowie an Mundstücken haben, da sie regelmäßig ersetzt werden müssen.

#### 3.2 LUFTZUFUHR (siehe Abb. 3)

Komponenten

- A. Absperrhahn (wird bei der Wartung von Filter/Regler oder Schmiereinheiten verwendet)
- B. Druckregler und Filter (täglicher Ablass)

- C. Ablasspunkt der Hauptzufuhr
- D. Abnahmepunkt von der Hauptzufuhr

- Alle Werkzeuge werden mit Druckluft bei einem Mindestdruck von 5,0 bar betrieben.
- Druckregler und automatische Schmier-/Filtersysteme zur Verwendung mit der Hauptluftzufuhr innerhalb von 3 Metern von dem Gerät (siehe Abb. 3).
- Luftzufuhrschläuche müssen einen Mindestdruck von 150% des im System erzeugten Maximaldrucks haben, oder 10 bar, je nachdem, was höher ist.
- Luftschläuche müssen ölbeständig sein, eine abriebfeste Außenseite haben und gepanzert sein, wenn die Betriebsbedingungen eine Beschädigung der Schläuche zur Folge haben können.
- Alle Druckluftschläuche MÜSSEN einen minimalen Innendurchmesser von 6,4 mm haben.
- Auf Luftleckagen überprüfen. Bei Beschädigung müssen Schläuche und Kupplungen durch neue Teile ersetzt werden.
- Wenn der Druckregler keinen Filter besitzt, entlüften Sie vor dem Anschließen des Luftschlauchs an das Werkzeug die Luftleitung, um sie von angesammeltem Schmutz oder Wasser zu befreien.

### 3.3 FUNKTIONSPRINZIP

**VORSICHT - DER RICHTIGE ZUFUHRDRUCK IST WICHTIG, UM DIE EINWANDFREIE FUNKTION DES WERKZEUGS ZU GEWÄHRLEISTEN. BEI FALSCEM DRUCK KÖNNEN VERLETZUNGEN ODER SCHÄDEN AN DER AUSRÜSTUNG AUFTRETEN.**

**DER ZUFUHRDRUCK DARF NICHT HÖHER SEIN ALS IN DEN TECHNISCHEN DATEN DES SETZWERKZEUGS ANGEZEIGT.**

Die fettgedruckten Artikelnummern beziehen sich auf die Komponenten in den Abbildungen 1 & 2 und die Tabellen auf Seite 11.

Wenn der Pneumatikschlauch mit dem Setzwerkzeug verbunden ist, werden die Zug- und Rückzugzyklen des Werkzeugs durch Drücken und Loslassen des Auslösers (6) gesteuert, der sich im Griff befindet.

- Die Luftzufuhr wurde getrennt.
- Montieren Sie die entsprechende Nietausrüstung wie auf Seite 10 & 12 beschrieben.
- Schließen Sie den Pneumatikschlauch an das Ein/Aus-Ventil (7) für die Luftzufuhr an.
- Verbinden Sie die den Pneumatikschlauch mit der Hauptluftzufuhr.
- Schalten Sie die Hauptluftzufuhr zum Werkzeug ein, indem Sie das Ein/Aus-Ventil (7) für die Luftzufuhr in die obere Position stellen.
- Dem Werkzeug wird nun zugeführt und das Vakuumsystem ist in Betrieb.
- Ziehen Sie den Auslöser (6) einige Male bis zum vollen Hub des Werkzeugs und lassen Sie ihn wieder los, um die Funktionsfähigkeit zu überprüfen. Achten Sie auf das Verhalten des Werkzeugs. Achten Sie auf Flüssigkeits- und/oder Luftlecks.

## 4. BETRIEBSWEISE

### 4.1 BETRIEB DES WERKZEUGS (siehe Abb. 1, 4, 5, 6)

#### Einsetzen eines Blindnietes

- Stellen Sie sicher, dass der Dornkollektor (3) angebracht ist.
- Setzen Sie den Nietdorn in das Mundstück (1a, b, c oder d) ein. Das Vakuumsystem hält den Niet im Mundstück.
- Positionieren Sie das Werkzeug.
- Stellen Sie sicher, dass die Nietausrüstung im rechten Winkel (90°) zum Werkstück steht.
- Ziehen und halten Sie den Auslöser (6), bis der Niet voll in die Anwendung eingesetzt ist.
- Wenn der Niet vollständig eingesetzt worden ist, lassen Sie den Auslöser (6) los. Das Werkzeug kehrt jetzt automatisch in seine Ausgangsposition zurück. Der Dorn wird automatisch vom Vakuumsystem in den Dornkollektor (3) abgeführt.
- Der Dornkollektor muss entleert werden, bevor er halb voll ist.

**VORSICHT – SETZEN SIE EINEN NIETDORN ODER NIETKÖRPER NICHT MIT ÜBERMÄSSIGER KRAFT EIN. ANDERENFALLS KÖNNEN SCHÄDEN AM WERKZEUG UND/ODER DEM BAUTEIL ENTSTEHEN.**

### 4.2 LEEREN DES DORNKOLLEKTORS (siehe Abb. 1)

#### VORSICHT - VERWENDEN SIE DAS WERKZEUG NICHT, WENN DER DORNKOLLEKTOR ENTFERNT WURDE

- Das Werkzeug ist mit einem Dornkollektor mit Schnellverschluss (3) ausgestattet.
- Eine 60°-Drehung entfernt den Dornkollektor oder befestigt ihn.
- Beim Herausnehmen des Dornkollektors (3) aus dem Werkzeug wird das Vakuumsystem zum Zurückhalten der Niete und dem Extrahieren der Dorne automatisch ausgeschaltet.
- Nach dem erneuten Anbringen des Dornkollektors wird das Vakuumsystem wieder eingeschaltet.

## 5. WARTUNG DES WERKZEUGS

### 5.1 HÄUFIGKEIT DER WARTUNG

Eine regelmäßige Wartung darf nur von geschultem Personal durchgeführt werden, und eine umfassende Inspektion ist jährlich oder alle 500.000 Zyklen erforderlich, je nachdem, was früher eintritt.



LUFTZUFUHR TRENNEN



**VORSICHT** - Verwenden Sie niemals Lösungsmittel oder andere scharfe Chemikalien für die Reinigung der nichtmetallischen Teile des Geräts.

Diese Chemikalien können das in diesen Teilen verwendete Material aufweichen.

### 5.2 NIETAUSRÜSTUNG

Mundstücke müssen in wöchentlichen Abständen oder alle 5.000 Zyklen gewartet werden. Legen Sie einen Vorrat an allen inneren Komponenten der Baugruppe aus Mundstück und Ziehschraube sowie an Mundstücken an, da sie regelmäßig ersetzt werden müssen.

- Trennen Sie die Luftzufuhr
- Entfernen Sie das komplette Mundstück, indem Sie wie in Abschnitt 3.1 beschrieben vorgehen.
- Überprüfen Sie alle Komponenten. Verschlossene oder beschädigte Teile müssen durch neue Teile ersetzt werden.
- Achten Sie besonders auf Verschleiß an den Spannbacken (**1h**).
- Reinigen Sie alle Teile und tragen Sie Moly-Lithium-Fett (07992-00020) auf die Spannbacken (**1h**) und die Kegelbohrung der Spannbackenpatrone (**1g**) auf.
- Der Zusammenbau muss gemäß den Anweisungen in Abschnitt 3.1 erfolgen.

### 5.3 TÄGLICHE WARTUNG

- Überprüfen Sie vor dem Gebrauch das Werkzeug, den Schlauch und die Kupplungen auf Luftlecks und Öllecks. Wenn etwas beschädigt ist, verwenden Sie das Werkzeug nicht weiter und ersetzen Sie die betroffenen Teile durch neue.
- Wenn der Druckregler keinen Filter besitzt, entlüften Sie vor dem Anschließen des Luftschlauchs an das Werkzeug die Luftleitung, um sie von angesammeltem Schmutz oder Wasser zu befreien. Wenn ein Filter vorhanden ist, entleeren Sie ihn.
- Überprüfen Sie, dass die richtige Nietausrüstung (**1**) für die zu setzenden Niete gewählt und korrekt angebracht wurde.
- Vergewissern Sie sich, dass der Hub des Werkzeugs die Mindestanforderungen erfüllt (siehe 2.1).
- Der Dornkollektor (**3**) muss am Werkzeug montiert werden.
- Prüfen Sie, ob die Luftkammer vollständig am Werkzeugkörper festgezogen ist.

### 5.4 WÖCHENTLICHE WARTUNG

- Überprüfen Sie das Werkzeug, den Schlauch und die Kupplungen auf Luftlecks und Öllecks. Wenn etwas beschädigt ist, verwenden Sie das Werkzeug nicht weiter und ersetzen Sie die betroffenen Teile durch neue.

Ausführliche Informationen zu Kundendienst, Fehlersuche und Wartung finden Sie im Servicehandbuch Nr. 07900-09410 für das Modell XT3 und in Servicehandbuch Nr. 07900-09411 für das Modell XT4.

Sicherheitshinweise zum Fett und Öl, die für dieses Werkzeug verwendet werden, finden Sie im Servicehandbuch Nr. 07900-09410 für das Modell XT3 und in Servicehandbuch Nr. 07900-09411 für das Modell XT4.

### 5.5 UMWELTSCHUTZ

Es ist stets sicherzustellen, dass die geltenden Entsorgungsvorschriften eingehalten werden. Entsorgen Sie alle Abfallprodukte in einer zugelassenen Entsorgungseinrichtung, um Personen und Umwelt nicht zu gefährden.

## 6. EC-KONFORMITÄTSERKLÄRUNG

### Übersetzung der Originalanleitung

Wir, **Avdel UK Limited; Stanley House, Works Road, Letchworth Garden City, Hertfordshire, SG6 1JY, GROSSBRITANNIEN**, erklären in unserer alleinigen Verantwortung, dass das Produkt:

**Beschreibung**

ProSet® XT3 und ProSet® XT4 Hydro-pneumatische Werkzeuge für Blindniete

**Marke/Modell**

POP-Avdel® / 76003 und POP-Avdel® / 76004

**Seriennr.**

auf das sich diese Erklärung bezieht, mit den folgenden Normen übereinstimmt:

ISO 12100:2010	EN ISO 3744:2010
EN ISO 11202:2010	EN ISO 11148-1:2011
EN ISO 4413:2010	BS EN 28662-1:1993
EN ISO 4414:2010	EN ISO 20643:2008+A1:2012
EN ISO 28927-5:2009/A1:2015	

Die technische Dokumentation wird in Übereinstimmung mit Anhang 1, Abschnitt 1.7.4.1 zusammengestellt, und zwar in Übereinstimmung mit der folgenden Richtlinie:

**2006/42/EC Maschinenrichtlinie**

UK Statutory Instruments 2008 No 1597 - The Supply of Machinery (Safety) Regulations.

**A. K. Seewraj**
**Technology Manager – EU Blind Fastening**

Avdel UK Limited, Stanley House, Works Road, Letchworth Garden City,  
Hertfordshire, SG6 1JY UNITED KINGDOM

**Unterschrift**

**Ausstellungsort Letchworth Garden City**
**Ausstellungsdatum 01.03.2017**


Diese Maschine entspricht der Maschinenrichtlinie 2006/42/EC.

## 7. SCHÜTZEN SIE IHRE INVESTITION!

### 7.1 POP\*AVDEL\* BLINDNIETWERKZEUG GARANTIE

STANLEY Engineered Fastening garantiert, dass alle Blindnietwerkzeuge sorgfältig hergestellt wurden und dass sie bei normalem Gebrauch und Service für einen Zeitraum von einem (1) Jahr frei von Mängeln in Material und Verarbeitung sind.

Diese Garantie gilt nur für den ursprünglichen Käufer des Werkzeugs und für die ursprüngliche Nutzung.

#### **Ausschlüsse:**

##### **Normaler Verschleiß.**

Regelmäßige Wartung, Reparatur und Ersatzteilbedarf aufgrund normaler Abnutzung sind von der Garantie ausgeschlossen.

##### **Missbrauch & Fehlbedienung.**

Defekte oder Schäden, die durch unsachgemäßen Betrieb, Lagerung, Missbrauch oder Fehlbedienung, Unfall oder Nachlässigkeit entstehen, sowie physische Schäden sind von der Garantie ausgeschlossen.

##### **Unbefugte Wartung oder Änderung.**

Defekte oder Schäden, die auf irgendeine Weise durch Kundendienst, Prüfung, Einstellung, Installation, Wartung, Änderung oder Modifikation entstehen, die von anderen Stellen als von STANLEY Engineered Fastening oder einer autorisierten Kundendienststelle vorgenommen wurden, sind von der Garantie ausgeschlossen.

Alle anderen Garantien, ob ausdrücklich oder impliziert, einschließlich Garantien der Marktgängigkeit oder Eignung für einen bestimmten Zweck, sind ausgeschlossen.

Sollte dieses Werkzeug die Garantiebedingungen erfüllen, bringen Sie es unverzüglich zu einer autorisierten Kundendienststelle an einem Standort in Ihrer Nähe. Für eine Liste der autorisierten POP\*Avdel\*-Kundendienststellen in den USA oder Kanada rufen Sie uns gebührenfrei an unter (877)364 2781.

Von außerhalb der USA und Kanada besuchen Sie unsere Website **[www.StanleyEngineeredFastening.com](http://www.StanleyEngineeredFastening.com)**, wo Sie eine Filiale von STANLEY Engineered Fastening in Ihrer Nähe finden.

STANLEY Engineered Fastening wird dann kostenlos alle Teile austauschen, die von uns aufgrund von fehlerhaftem Material oder Verarbeitung als defekt festgestellt wurden und das Werkzeug mit bezahlten Versandkosten zurücksenden. Das ist unsere einzige Verpflichtung unter dieser Garantie.

In keinem Fall ist STANLEY Engineered Fastening haftbar für irgendwelche Folge- oder speziellen Schäden, die aus dem Kauf oder der Verwendung dieses Werkzeugs entstehen.

### 7.2 REGISTRIEREN SIE IHR BLINDNIETWERKZEUG ONLINE

Um Ihre Garantie online zu registrieren, besuchen Sie uns unter:

<http://www.stanleyengineeredfastening.com/popavdel-powertools/warranty-card>.

Vielen Dank, dass Sie sich für ein Werkzeug der Marke STANLEY Engineered Fastening POP\*Avdel\* entschieden haben.





©2017 Stanley Black & Decker inc.  
 Todos los derechos reservados.

Se prohíbe reproducir y/o publicar esta información en cualquier formato o medio (ni electrónico ni mecánico) sin la autorización previa por escrito de STANLEY Engineered Fastening. La información suministrada se proporciona en función de los datos conocidos en el momento de la presentación de este producto. STANLEY Engineered Fastening aplica una política de mejora continua de sus productos, por lo que estos están sujetos a modificaciones. La información facilitada es de aplicación al producto tal y como ha sido entregado por STANLEY Engineered Fastening. Por lo tanto, STANLEY Engineered Fastening no se responsabiliza de ningún daño derivado de alguna diferencia con las especificaciones originales del producto.

Esta información ha sido elaborada con la máxima atención. No obstante, STANLEY Engineered Fastening no asumirá responsabilidad alguna en caso de fallos en la información o por las consecuencias que pudieran derivarse de la misma. STANLEY Engineered Fastening no asumirá responsabilidad alguna por los daños derivados de actividades efectuadas por terceros. Los nombres profesionales, los nombres comerciales, las marcas comerciales registradas, etc. utilizados por STANLEY Engineered Fastening no deben considerarse libres, de conformidad con la legislación relativa a la protección de marcas comerciales.

**ÍNDICE**

**1. DEFINICIONES DE SEGURIDAD ..... 2**

1.1 NORMAS GENERALES DE SEGURIDAD ..... 2

1.2 PELIGRO POR PIEZAS QUE SALEN DISPARADAS ..... 2

1.3 PELIGROS DURANTE EL USO ..... 3

1.4 PELIGROS POR MOVIMIENTOS REPETITIVOS ..... 3

1.5 PELIGROS DE LOS ACCESORIOS ..... 3

1.6 PELIGROS DEL LUGAR DE TRABAJO ..... 4

1.7 PELIGROS DE RUIDOS ..... 4

1.8 PELIGROS DE VIBRACIONES ..... 4

1.9 INSTRUCCIONES DE SEGURIDAD ADICIONALES PARA HERRAMIENTAS NEUMÁTICAS ..... 4

**2. ESPECIFICACIONES ..... 5**

2.1. ESPECIFICACIONES DE LA HERRAMIENTA ..... 5

2.2 ESPECIFICACIONES DE COLOCACIÓN ..... 6

2.3 CONTENIDO DEL EMBALAJE ..... 7

2.4 LISTA DE COMPONENTES PRINCIPALES ..... 7

2.5 EQUIPAMIENTO ESTÁNDAR DE LA BOQUILLA ..... 7

**3. CONFIGURACIÓN DE LA HERRAMIENTA ..... 8**

3.1 EQUIPAMIENTO DE LA BOQUILLA (ref. fig. 2) ..... 8

3.2 SUMINISTRO DE AIRE (ref. fig. 3.) ..... 8

3.3 PRINCIPIO DE FUNCIONAMIENTO ..... 9

**4. PROCEDIMIENTO DE FUNCIONAMIENTO ..... 10**

4.1 FUNCIONAMIENTO DE LA HERRAMIENTA (ref. figs. 1, 4, 5, 6) ..... 10

4.2 VACIADO DEL COLECTOR DE VÁSTAGOS (ref. fig. 1) ..... 10

**5. MANTENIMIENTO DE LA HERRAMIENTA ..... 11**

5.1 FRECUENCIA DEL MANTENIMIENTO ..... 11

5.2 BOQUILLA ..... 11

5.3 MANTENIMIENTO DIARIO ..... 11

5.4 MANTENIMIENTO SEMANAL ..... 11

5.5 PROTECCIÓN DEL MEDIO AMBIENTE ..... 11

**6. DECLARACIÓN DE CONFORMIDAD CE ..... 12**

**7. ¡PROTEJA SU INVERSIÓN! ..... 13**

7.1 GARANTÍA DE LA REMACHADORA DE REMACHES CIEGOS POP® AVDEL® ..... 13

7.2 REGISTRE SU REMACHADORA ONLINE ..... 13



Las personas que instalen o hagan funcionar la herramienta deberán leer el manual de instrucciones, prestando especial atención a las siguientes normas de seguridad.



Utilice siempre protección ocular resistente a impactos mientras esté utilizando la herramienta. El grado de protección requerido debe evaluarse para cada uso.



Utilice protecciones auditivas de acuerdo con las instrucciones de la empresa y tal y como lo exigen las normas de seguridad en el trabajo y la normativa sobre seguridad.



El uso de la herramienta puede exponer las manos del operador a peligros como aplastamiento, impactos, cortes, abrasiones o calor. Utilice guantes adecuados para protegerse las manos.

## 1. DEFINICIONES DE SEGURIDAD

Las siguientes definiciones describen el nivel de gravedad de cada palabra de advertencia. Lea el manual y preste atención a estos símbolos.



**PELIGRO:** Indica una situación de peligro inminente que, de no evitarse, podría ocasionar la muerte o una lesión grave.



**ADVERTENCIA:** Indica una situación potencialmente peligrosa que, de no evitarse, podría ocasionar la muerte o una lesión grave.



**PRECAUCIÓN:** Indica una situación potencialmente peligrosa que, de no evitarse, podría ocasionar una lesión moderada o leve.

**PRECAUCIÓN:** Usado sin el símbolo de alerta de seguridad indica una situación potencialmente peligrosa que, de no evitarse, podría causar daños materiales.

**El funcionamiento o el mantenimiento inadecuado de este producto podrían causar lesiones graves o daños materiales.**

**Lea y comprenda todas las advertencias e instrucciones de funcionamiento antes de usar este dispositivo. Cuando utilice herramientas eléctricas, deberá tomar siempre todas las precauciones básicas de seguridad para reducir el riesgo de lesiones personales.**

### CONSERVE TODAS LAS ADVERTENCIAS E INSTRUCCIONES PARA FUTURAS CONSULTAS

#### 1.1 NORMAS GENERALES DE SEGURIDAD

- Para conocer los distintos peligros, lea y entienda las instrucciones de seguridad antes de instalar, utilizar, reparar, mantener o cambiar los accesorios de la herramienta o de trabajar cerca de ella. No hacerlo puede provocar lesiones corporales graves.
- Solo los operadores cualificados y formados deben instalar, ajustar o usar la herramienta.
- NO utilice la herramienta para fines distintos al previsto, que es la colocación de remaches ciegos de STANLEY Engineered Fastening.
- Utilice solamente las piezas, remaches y accesorios recomendados por el fabricante.
- NO modifique la herramienta. Las modificaciones pueden reducir la eficacia de los mecanismos de seguridad y aumentar los riesgos para el operador. Si el cliente realiza cualquier modificación de la herramienta, asumirá toda la responsabilidad de la misma y quedarán anuladas todas las garantías aplicables.
- No tire las instrucciones de seguridad; entréguelas al operador.
- No utilice la herramienta si está dañada.
- Antes del uso, compruebe que no haya ninguna desalineación ni bloqueo de las piezas móviles, rotura de piezas ni cualquier otro estado que pudiera afectar al funcionamiento de la herramienta. Si la herramienta está dañada, llévela a reparar antes de utilizarla. Extraiga las posibles llaves de ajuste antes del uso.
- Las herramientas deben revisarse periódicamente para comprobar que las clasificaciones y marcas exigidas por esta sección de la ISO 11148 sean legibles en la herramienta. Si faltan etiquetas, la empresa o el usuario solicitarán al fabricante otras de repuesto.
- La herramienta debe mantenerse siempre en condiciones de trabajo seguras, debe comprobarse a intervalos regulares que no presente daños y debe ser utilizada por personal capacitado. El procedimiento de desmontaje deberá ser realizado por personal capacitado. No desmonte esta herramienta sin consultar antes las instrucciones de mantenimiento.

#### 1.2 PELIGRO POR PIEZAS QUE SALEN DISPARADAS

- Desconecte el suministro de aire de la herramienta antes de realizar cualquier mantenimiento o intento de ajuste, o de colocar o extraer el bloque de boquilla o los accesorios.

- Sea consciente de que el fallo de la pieza de trabajo o de los accesorios, o incluso de la herramienta insertada, puede proyectar piezas a alta velocidad.
- Utilice siempre protección ocular resistente a impactos mientras esté utilizando la herramienta. El grado de protección requerido debe evaluarse para cada uso.
- Evalúe también en ese momento los riesgos para otras personas.
- Asegúrese de que la pieza de trabajo esté bien sujeta.
- Compruebe que la protección contra el disparo de los remaches y/o vástagos esté colocada y que funciona.
- NO utilice la herramienta si no tiene el colector de vástagos instalado.
- Advierta contra la posible salida forzosa de los vástagos desde el frontal de la herramienta.
- NO haga funcionar la herramienta dirigiéndola hacia ninguna persona.

### **1.3 PELIGROS DURANTE EL USO**

- El uso de la herramienta puede exponer las manos del operador a peligros como aplastamiento, impactos, cortes, abrasiones o calor. Utilice guantes adecuados para protegerse las manos.
- Los operadores y el personal de mantenimiento deben estar capacitados físicamente para manipular el volumen, el peso y la potencia de la herramienta.
- Sostenga correctamente la herramienta. Esté preparado para contrarrestar los movimientos normales o repentinos y tenga ambas manos disponibles.
- Mantenga las empuñaduras de la herramienta secas, limpias y libres de aceite y grasa.
- Mantenga el cuerpo en posición equilibrada y segura sobre el suelo cuando maneje la herramienta.
- Libere el dispositivo de arranque y parada en caso de interrupción del suministro de aire.
- Utilice solo los lubricantes recomendados por el fabricante.
- Debe evitarse el contacto con el líquido hidráulico. Para minimizar la posibilidad de irritaciones, es necesario lavarse bien en caso de contacto.
- Previa petición, el proveedor de su herramienta puede proporcionarle las fichas de datos de seguridad de los materiales relativos a todos los aceites y lubricantes hidráulicos.
- Evite las malas posturas, ya que es probable que le impidan contrarrestar el movimiento normal o imprevisto de la herramienta.
- Si la herramienta va fijada a un dispositivo de suspensión, asegúrese de que la fijación sea segura.
- Sea consciente del riesgo de aplastamiento o pinzamiento si el equipamiento de la boquilla no está colocado.
- NO haga funcionar la herramienta si no tiene la carcasa de la boquilla montada.
- Se requiere un espacio libre suficiente para las manos del operador de la máquina antes de remachar.
- Cuando transporte la herramienta de un lugar a otro, mantenga las manos alejadas del gatillo para evitar el accionamiento involuntario.
- No haga un uso indebido de la máquina arrojándola o usándola como un martillo.
- Tome las medidas necesarias para asegurar que los vástagos usados no causen riesgos.
- El colector de vástagos debe vaciarse cuando se haya llenado hasta la mitad, aproximadamente.

### **1.4 PELIGROS POR MOVIMIENTOS REPETITIVOS**

- Al utilizar una herramienta, es posible que el operador note molestias en las manos, los brazos, los hombros el cuello u otras partes del cuerpo.
- El operador debe mantener una postura cómoda, equilibrada y segura sobre el suelo, evitando las malas posturas. Cambiar la postura del cuerpo durante las tareas prolongadas puede ayudar a evitar la incomodidad y la fatiga.
- Si el operador experimenta síntomas como incomodidad persistente o recurrente, dolor, palpitaciones, dolor vago, hormigueo, entumecimiento, ardores o rigidez, no debe ignorar estas señales de aviso. El operador deberá informar de inmediato a su empresa y consultar un profesional sanitario cualificado.

### **1.5 PELIGROS DE LOS ACCESORIOS**

- Desconecte la herramienta del suministro de aire antes de instalar o quitar el conjunto de boquilla o el accesorio.
- Utilice solo accesorios y consumibles de tipos y tamaños recomendados por el fabricante de la herramienta; no los utilice de otros tipos y tamaños.

### **1.6 PELIGROS DEL LUGAR DE TRABAJO**

- Los resbalones, tropiezos y caídas son las principales causas de lesiones en el lugar de trabajo. Sea consciente de las superficies deslizantes provocadas por el uso de la herramienta y también de los peligros de tropiezo causados por el conducto de aire o la manguera hidráulica.
- Actúe con cuidado en los entornos desconocidos. Puede haber peligros ocultos como cables de electricidad u otras líneas de suministro.
- La herramienta no está diseñada para su uso en atmósferas potencialmente explosivas ni está aislada contra el contacto con energía eléctrica.
- Asegúrese de que no haya cables eléctricos, tuberías de gas, etc., que puedan causar un peligro si resultan dañados por el uso de la herramienta.
- Utilice vestimenta adecuada. No lleve ropa suelta ni joyas. Mantenga el cabello, la ropa y los guantes alejados de las piezas móviles. La ropa suelta, las joyas y el pelo largo pueden quedar atrapados en las piezas móviles.
- Tome las medidas necesarias para asegurar que los vástagos usados no causen riesgos.

### **1.7 PELIGROS DE RUIDOS**

- La exposición a niveles elevados de ruido puede provocar problemas permanentes o incapacitantes, pérdida de audición y otros problemas como acúfenos (zumbidos o silbidos en los oídos). Por tanto, la evaluación de riesgos y la implementación de los controles adecuados para estos peligros son fundamentales.
- Los controles adecuados para reducir el riesgo pueden incluir medidas tales como materiales amortiguadores para evitar que las piezas de trabajo “suenen”.
- Utilice protecciones auditivas de acuerdo con las instrucciones de la empresa y tal y como lo exigen las normas de seguridad en el trabajo y la normativa sobre seguridad.
- Para evitar un aumento innecesario del nivel de ruido, utilice y mantenga la herramienta como se recomienda en el manual de instrucciones.
- Asegúrese de que el silenciador del colector de vástagos esté colocado y listo para funcionar cuando se ponga en marcha la herramienta.

### **1.8 PELIGROS DE VIBRACIONES**

- La exposición a la vibración puede provocar daños incapacitantes en los nervios y el riego sanguíneo de las manos y los brazos.
- Utilice ropa abrigada cuando trabaje en lugares fríos y mantenga las manos calientes y secas.
- Si experimenta entumecimiento, hormigueo, dolor o palidez en los dedos o manos, deje de utilizar la herramienta, informe a su empleador y consulte al médico.
- Siempre que sea posible, sostenga el peso de la herramienta en un soporte, tensor o equilibrador, ya que de esta forma podrá ejercer un agarre más ligero sobre la herramienta.

### **1.9 INSTRUCCIONES DE SEGURIDAD ADICIONALES PARA HERRAMIENTAS NEUMÁTICAS**

- El suministro de aire de trabajo no debe superar los 7 bares (100 PSI).
- El aire a presión puede causar lesiones graves.
- Nunca deje la máquina funcionando sin supervisión. Desconecte la manguera de aire cuando la herramienta no esté en uso, antes de cambiar los accesorios o al realizar reparaciones.
- NO deje que la abertura de la salida de aire del colector de vástagos mire hacia el operador o hacia otras personas. No dirija nunca el aire a usted mismo ni a ninguna otra persona.
- Un latigazo de manguera puede causar lesiones graves. Compruebe siempre si hay mangueras y accesorios dañados o sueltos.
- Antes del uso, compruebe que los conductos de aire no presenten daños; todas las conexiones deben ser seguras. No apoye objetos pesados sobre las mangueras. Los golpes bruscos pueden causar daños internos y fallos prematuros en la manguera.
- El aire frío debe dirigirse lejos de las manos.
- Siempre que se utilicen acoplamientos de torsión universales (acoplamientos de garra), se instalarán pasadores de bloqueo y se utilizarán cables de seguridad de protección contra latigazos para protegerse contra posibles errores de conexión de manguera a herramienta o de manguera a manguera.
- NO levante la herramienta de colocación sujetándola por la manguera. Utilice siempre la empuñadura de la herramienta de colocación.
- Los respiraderos no deben bloquearse ni cubrirse.
- No permita que entren polvo ni objetos extraños en el sistema hidráulico de la herramienta pues pueden causar fallos de funcionamiento de la herramienta.

**STANLEY Engineered Fastening aplica una política de desarrollo continuo y mejora de productos y se reserva el derecho de variar las especificaciones de todos sus productos sin previo aviso.**

## 2. ESPECIFICACIONES

ProSet® XT3 y XT4 son herramientas hidroneumáticas diseñadas para poner remaches ciegos de Stanley Engineered Fastening a alta velocidad. Las herramientas cuentan con un sistema de vacío para retener los remaches y recoger sin problemas los vástagos gastados, sea cual sea la orientación de la herramienta.

Cuando se acoplan al equipamiento de la sufridera correspondiente, ProSet® XT3 y XT4 se pueden usar para colocar remaches ciegos de la gama de Ø4,0mm a Ø6,4mm. Consulte la tabla de la página 10 para ver la lista de todos los remaches que pueden colocarse.

Siempre deberán seguirse las advertencias de seguridad de las páginas 2 y 4.

**NO** debe usarse en lugares húmedos ni en presencia de líquidos o gases inflamables.

### 2.1. ESPECIFICACIONES DE LA HERRAMIENTA

	XT3		XT4	
<b>Fuerza de tracción:</b> A 5,5 bares	17,0 kN	3822 lbf	23,0 kN	5193 lbf
<b>Presión de suministro de aire:</b> Mín. a máx.	5,0 - 7,0 bares	72,5 - 101,5 lbf/in <sup>2</sup>	5,0 - 7,0 bares	72,5 - 101,5 lbf/in <sup>2</sup>
<b>Presión de aceite:</b> Tracción a 5,5 bares	290 bares	4206 lbf/in <sup>2</sup>	395 bares	5729 lbf/in <sup>2</sup>
<b>Carrera:</b> Carrera mínima del pistón	26,0 mm	1,02 in	18,0 mm	0,91 in
<b>Peso:</b> Incluido el equipamiento de la boquilla	2,24 kg	4,94 lb	2,26 kg	4,98 lb
<b>Peso:</b> Sin el equipamiento de la boquilla	2,00 kg	4,41 lb	2,02 kg	4,41 lb
<b>Volumen de aire libre:</b> A 5,5 bares	6,3 l	384,4 in <sup>3</sup>	6,3 l	384,4 in <sup>3</sup>
<b>Duración de ciclo:</b> Aproximado	0,9 segundos		1,0 segundos	

<b>Valores de ruido determinados según el código de pruebas de ruido ISO 15744 e ISO 3744.</b>		XT3	XT4
Nivel de presión acústica ponderado A, dB(A), L <sub>WA</sub>	Incertidumbre de ruido: k <sub>WA</sub> = 3,0 dB(A)	90,3 dB(A)	89,7 dB(A)
Nivel de presión acústica de emisión ponderado A en la estación de trabajo dB(A), L <sub>pA</sub>	Incertidumbre de ruido: k <sub>pA</sub> = 3,0 dB(A)	79,3 dB(A)	78,7 dB(A)
Nivel de presión acústica de emisión pico ponderado C dB(C), L <sub>pC</sub> pico	Incertidumbre de ruido: k <sub>pC</sub> = 3,0 dB(C)	82,7 dB(C)	81,5 dB(A)

<b>Valores de vibración decididos según el código de pruebas de vibración de ISO 20643 y ISO 5349.</b>		XT3	XT4
Nivel de emisiones de vibración, a <sub>hd</sub>		1,41 m/s <sup>2</sup>	1,80 m/s <sup>2</sup>
Incertidumbre de vibración: k		0,70 m/s <sup>2</sup>	0,90 m/s <sup>2</sup>
Valores de emisión de vibraciones declarados de acuerdo con la EN 12096			

**2.2 ESPECIFICACIONES DE COLOCACIÓN**

Tipo de remache	Diámetro del remache en mm (pulgadas)										
	4 (5/32)	4,3	4,8 (3/16)	6	6,4 (1/4)	7	8	9	10	11	12
Extremo abierto	●*		●**		●						
Extremo cerrado	●*		●**		●						
HR	●*		●		●						
HS					● (3)						
Multi-Grip (multiagarre)	●*		●**		●						
TL	●*		●								
Remache en T (Emhart)	●*		●		●						
Autocerrable	●*		●		●						
Ultra Grip (UG) (NPR)					⊗ (3)						
CD					● (3)						
Avex®	● (2)		● (2)		● (2)						
Stavex®	● (2)		● (2)		● (1)(3)						
Avinox® / Avibulb®	● (2)		● (2)	● (2)							
Avinox®XT / Avibulb®XT					● (1)(3)						
LSR/Bulbex®	● (2)		● (2)								
T-Lok®		● (2)	● (2)								
Avdel® SR	● (2)		● (2)		● (2)						
Hemlok®					● (1)(3)						
Interlock®			⊗ (2)		⊗ (1)(3)						
Maxlok®			● (3)		Ⓞ (3)						
Monobolt®			⊗ (1)(2)		⊗ (1)(3)						
Avtainer®									Ⓞ (1)(3)		
Avseal® (STD)				● (1)(3)		● (1)(3)	● (1)(3)	● (1)(3)	Ⓞ (1)(3)		
Avseal® (baja presión)							● (1)(3)	● (1)(3)	● (1)(3)	Ⓞ (1)(3)	Ⓞ (1)(3)
Remache Q	● (2)		● (2)		● (2)						
Remache en T (Avdel)			● (1)(2)		● (1)(2)						
Avdelmate®			● (2)		● (2)						
Klamp-Tite® BAPK			⊗ (2)		⊗ (2)						
Klamp-Tite® BAPKTR			⊗ (1)(2)		⊗ (1)(2)						
Avdelok®			● (3)		Ⓞ (3)						

\* Utilice las mordazas PRG540-46 y el conjunto del aprietamordazas FAN276-064

\*\* Utilice las mordazas PRG540-46.

● Es aplicable para las herramientas XT3 y XT4

⊗ Es aplicable solo para la herramienta XT3

Ⓞ Es aplicable solo para la herramienta XT4

(1) Se requiere una boquilla no estándar

(2) Equipamiento de la boquilla alternativo disponible

(3) Se requiere un equipamiento de la boquilla no estándar

Para una lista completa del equipamiento de la boquilla compatible para cada tipo de remache y las instrucciones de montaje y mantenimiento, consulte el manual del equipamiento de la boquilla ProSet® 07900-09414

### 2.3 CONTENIDO DEL EMBALAJE

- 1 remachadora de remaches ciegos ProSet® XT3 o XT4.
- 1 juego estándar\* de equipamiento de la boquilla y boquillas para remaches de 4,8 mm (3/16") y 6,4 mm (1/4").
- 1 manual de instrucciones impreso, según la región.

### 2.4 LISTA DE COMPONENTES PRINCIPALES

Consulte las figuras 1 y 2 y la siguiente tabla.

Elemento	Número de pieza	Descripción	Cant.
1	76003-15000*	Boquilla estándar	1
2	76003-02022	Gancho de suspensión	1
3	76003-05200	Colector de vástagos	1
4	07001-00405	Tapón de aceite	1
5	07003-00194	Junta	1
6	76003-02008	Gatillo	1
7	76003-03700	Válvula de encendido/apagado	1
8	71210-02103	Contratuerca	1

### 2.5 EQUIPAMIENTO ESTÁNDAR DE LA BOQUILLA

Consulte la figura 2 y la siguiente tabla.

Elemento	Número de pieza	Descripción	Cant.
1c	PRN614	Boquilla - 4,8mm (3/16") (montada)	1
1d	PRN811	Boquilla - 6,4mm (1/4")	1
1e	76003-15001	Carcasa de la boquilla	1
1f	07003-00067	Junta tórica	1
1g	DPN276-001	Portamordazas	1
1h	PRG540-44	Mordaza	1 juego
1i	DPN276-006	Aprietamordazas	1
1j	DPN900-060	Junta tórica	1
1k	DPN901-019	Muelle del aprietamordazas	1
1l	76003-15002	Cabezal de tracción	1
1m	76003-15004	Bloqueo del portamordazas	1
1n	DPN901-020	Muelle	1
1o	76003-15003	Adaptador del cabezal de tracción	1
1p	07003-00277	Junta tórica	1

Para otros equipamientos de la boquilla, consulte el manual de equipamientos para boquillas 07900-09414 de ProSet® o visite [www.stanleyengineeredfastening.com/resource-center/document-library](http://www.stanleyengineeredfastening.com/resource-center/document-library)  
 Para ver la lista completa de accesorios, consulte el manual de accesorios 07900-09415 de ProSet.

\* El equipamiento de la boquilla no se incluye con las herramientas básicas Proset XT3 (76003-01000) y Proset XT4 (76004-01000).



### 3. CONFIGURACIÓN DE LA HERRAMIENTA

**IMPORTANTE: LEA ATENTAMENTE LAS ADVERTENCIAS DE SEGURIDAD DE LAS PÁGINAS 6 y 8 ANTES DE PONER EN FUNCIONAMIENTO LA HERRAMIENTA.**

**IMPORTANTE: EL SUMINISTRO DE AIRE DEBE APAGARSE O DESCONECTARSE ANTES DE PONER O QUITAR EL CONJUNTO DE BOQUILLA.**

#### 3.1 EQUIPAMIENTO DE LA BOQUILLA (ref. fig. 2)

Los números de los artículos en negrita se refieren a los componentes de las figuras 1 y 2 y a las tablas de la página 11.

La herramienta completa se suministra premontada con la boquilla para remaches de 4,8 mm (3/16").

Se suministra por separado una boquilla adicional para remaches de 6,4 mm (1/4").

#### Montaje de la boquilla

- El suministro de aire debe estar desconectado.
- Seleccione la boquilla correcta para el remache que vaya a colocar.
- Desmonte la carcasa de la boquilla (**1e**) incluida la boquilla (**1a, b, c ó d**) y la junta tórica (**1f**).
- Saque la boquilla (**1a, b, c ó d**) de la carcasa de la boquilla (**1e**).
- Seleccione el tamaño de boquilla que corresponda y colóquela en orden inverso.

#### Desmontaje de la boquilla completa

- El suministro de aire debe estar desconectado.
- Quite la carcasa de la boquilla (**1e**), incluyendo la boquilla (**1a, b, c ó d**) y la junta tórica (**1f**) de la herramienta.
- Tire hacia atrás el bloqueo del portamordazas (**1m**) contra el muelle (**1n**) y saque el portamordazas (**1g**).
- Saque las mordazas (**1h**) del portamordazas (**1g**).
- Saque el aprietamordazas (**1i**), la junta tórica (**1j**) y el muelle del aprietamordazas (**1k**) del cabezal de tracción (**1l**).
- Desmonte el conjunto del cabezal de tracción (**1q**) del pistón de la herramienta usando unas llaves

#### Colocación del equipamiento completo de la boquilla

- El suministro de aire debe estar desconectado.
- Cualquier pieza desgastada o dañada deberá sustituirse.
- Limpie las mordazas y compruebe si están gastadas (**1h**).
- Compruebe que el aprietamordazas (**1i**) o el muelle del aprietamordazas (**k**) no estén deformados.
- Cubra ligeramente las mordazas (**1h**) con grasa de molibdeno y litio.
- Introduzca las mordazas (**1h**) en el portamordazas (**1g**).
- Inserte el aprietamordazas (**1i**) y la junta tórica (**1j**) en el cabezal de tracción (**1l**).
- Tire hacia atrás el bloqueo del portamordazas (**1m**) y enrosque el portamordazas (**1g**) completamente en el cabezal de tracción (**1l**).
- Suelte el cierre del portamordazas (**1m**) y desenrosque parcialmente el portamordazas (**1g**) hasta que el diente del cierre del portamordazas (**1m**) haga clic en la ranura siguiente del portamordazas (**1g**).
- Coloque la carcasa de la boquilla (**1e**) sobre el portamordazas (**1g**) y apriétela completamente en la herramienta.

El mantenimiento del conjunto de la boquilla debe realizarse a intervalos semanales. Es recomendable tener existencias de todas las piezas internas del conjunto de boquilla y las sufrideras, pues deberán sustituirse con regularidad.

#### 3.2 SUMINISTRO DE AIRE (ref. fig. 3.)

Componentes

- A. Llave de cierre (para usar durante el mantenimiento del filtro/unidades normales o lubricadas)
- B. Regulador de presión y filtro (purga diaria)
- C. Punto de purga del suministro principal
- D. Punto de derivación del suministro principal

- Todas las herramientas funcionan con aire comprimido a la presión mínima de 5.0 bar.
- Los reguladores de presión y los sistemas de engrasado/filtrado automáticos del suministro principal de aire deben usarse a no más de 3 metros de la herramienta (consultar fig. 3).
- Las mangueras de suministro de aire deberán tener un valor nominal de presión efectiva mínima del 150% de la presión máxima producida en el sistema o 10 bar, cualquiera que sea la más alta.
- Las mangueras de aire deben ser resistentes al aceite, tener resistencia exterior a la abrasión y estar blindadas en caso de condiciones de funcionamiento que puedan causar daños a las mangueras.
- Todas las mangueras de aire DEBEN tener un calibre mínimo de 6,4 milímetros.
- Compruebe que no haya pérdidas de aire. Si las mangueras o las juntas están dañadas hay que sustituirlas por otras nuevas.
- Si el regulador de presión no tiene filtro, purgue la línea de aire para limpiar la suciedad o el agua acumulados antes de conectar la manguera de aire a la herramienta.

### **3.3 PRINCIPIO DE FUNCIONAMIENTO**

**PRECAUCIÓN: ES IMPORTANTE EJERCER LA PRESIÓN ADECUADA PARA EL CORRECTO FUNCIONAMIENTO DE LA HERRAMIENTA DE COLOCACIÓN. EN CASO DE UTILIZAR PRESIONES INCORRECTAS, PUEDEN OCURRIR LESIONES CORPORALES O DAÑOS AL EQUIPO.**

**LA PRESIÓN NO DEBE SER SUPERIOR A LA INDICADA EN LAS ESPECIFICACIONES DE LA HERRAMIENTA DE COLOCACIÓN.**

Los números de los artículos en negrita se refieren a los componentes de las figuras 1 y 2 y a las tablas de la página 11.

Cuando la manguera neumática está conectada a la herramienta de colocación, los ciclos de avance y retorno se controlan apretando y soltando el gatillo (**6**) situado en la empuñadura.

- El suministro de aire está desconectado.
- Coloque la boquilla adecuada como se describe en las páginas 10 y 12.
- Conecte la manguera neumática a la válvula de encendido/apagado (**7**).
- Conecte la manguera neumática al suministro de aire.
- Abra el suministro de red de la herramienta deslizando hacia arriba la válvula de encendido/apagado (**7**) del aire.
- Ahora se le suministra aire a la herramienta y el sistema de aspiración está en funcionamiento.
- Pulse y suelte el gatillo (**6**) varias veces hasta el final de la carrera de la herramienta para comprobar el funcionamiento. Observe el funcionamiento de la herramienta. Compruebe si hay pérdidas de aceite y/o de aire.

## 4. PROCEDIMIENTO DE FUNCIONAMIENTO

### 4.1 FUNCIONAMIENTO DE LA HERRAMIENTA (ref. figs. 1, 4, 5, 6)

#### Colocar un remache ciego

- Compruebe que esté colocado el colector de vástagos (3).
- Inserte el vástago del remache en la boquilla (1a, b, c ó d). El sistema de aspiración retiene el remache en la boquilla.
- Posicione la herramienta.
- Compruebe que el equipamiento de la boquilla esté en el ángulo correcto (90°) con respecto a la pieza de trabajo.
- Pulse y mantenga pulsado el gatillo (6) hasta que el remache esté completamente colocado en la aplicación.
- Cuando el remache esté completamente colocado, suelte el gatillo (6). La herramienta volverá automáticamente a su posición inicial. El vástago es arrojado automáticamente al colector de vástagos (3) por el sistema de aspiración.
- El colector de vástagos debe vaciarse cuando se llene hasta la mitad.

**PRECAUCIÓN: NO FUERCE LA INSERCIÓN DEL VÁSTAGO O DEL CUERPO DEL REMACHE. ESTO PUEDE DAÑAR LA HERRAMIENTA Y/O LA PIEZA.**

### 4.2 VACIADO DEL COLECTOR DE VÁSTAGOS (ref. fig. 1)

**PRECAUCIÓN: NO UTILICE LA HERRAMIENTA SI NO ESTÁ PUESTO EL COLECTOR DE VÁSTAGOS**

- La herramienta está dotada de un colector de vástagos con conexión/liberación rápida (3).
- Con un giro a 60° se quita o se cambia el colector de vástagos.
- Al quitar el colector de vástagos (3) de la herramienta, se corta automáticamente el sistema de extracción de vástagos y retención de remaches por aspiración.
- Al volver a colocar el colector de vástagos se activa el sistema de aspiración.

## 5. MANTENIMIENTO DE LA HERRAMIENTA

### 5.1 FRECUENCIA DEL MANTENIMIENTO

Anualmente o cada 500 000 ciclos, según lo que ocurra primero, se deben llevar a cabo el mantenimiento ordinario y una inspección exhaustiva por parte de personal capacitado.



DESCONECTE EL SUMINISTRO DE AIRE



**PRECAUCIÓN:** No utilice nunca disolventes ni otros productos químicos fuertes para limpiar las piezas no metálicas de la herramienta.

*Dichos productos químicos pueden debilitar los materiales con los que están fabricadas estas piezas.*

### 5.2 BOQUILLA

El mantenimiento de la boquilla debe realizarse a intervalos semanales o cada 5.000 ciclos. Deberá tener un stock de todas las piezas internas de la boquilla pues es necesario sustituirlas con regularidad.

- Desconecte el suministro de aire.
- Extraiga el conjunto de la boquilla completo realizando el procedimiento descrito en el apartado 3.1.
- Inspeccione todos los componentes. Las piezas desgastadas o dañadas deberán sustituirse por otras nuevas.
- Compruebe especialmente el desgaste de las mordazas (**1h**).
- Limpie todas las piezas y aplique grasa de molibdeno y litio (07992-00020) en la parte exterior de las mordazas (**1h**) o en el alojamiento cónico del portamordazas (**1g**).
- Realice el montaje de acuerdo con las instrucciones de colocación del apartado 3.1.

### 5.3 MANTENIMIENTO DIARIO

- Antes del uso, compruebe que la herramienta, la manguera y los acoplamientos no tengan pérdidas de aire ni de aceite. Si la herramienta está dañada, retírela y sustituya las piezas afectadas con otras nuevas.
- Si el regulador de presión no tiene filtro, purgue la línea de aire para limpiar la suciedad o el agua acumulados antes de conectar la manguera de aire a la herramienta. Si tiene un filtro, drénela.
- Compruebe que el equipamiento de la boquilla (**1**) sea correcto para el remache que vaya a colocar y que esté montado correctamente.
- Compruebe que la carrera de la herramienta cumpla la especificación mínima (consulte el apartado 2.1).
- El colector de vástagos (**3**) debe estar colocado en la herramienta.
- Compruebe que la cámara neumática esté completamente apretado al cuerpo de la herramienta.

### 5.4 MANTENIMIENTO SEMANAL

- Compruebe que la herramienta, la manguera y los acoplamientos no tengan pérdidas de aire ni de aceite. Si la herramienta está dañada, retírela y sustituya las piezas afectadas con otras nuevas.

Para instrucciones completas de servicio, solución de problemas y mantenimiento, consulte el manual de servicio n.º 07900-09410 para la remachadora XT3, y el n.º 07900-09411 para la remachadora XT4.

Para datos de seguridad sobre la grasa y el aceite usados en esta herramienta, consulte el manual de servicio n.º 07900-09410 para la remachadora XT3, y el n.º 07900-09411 para la remachadora XT4.

### 5.5 PROTECCIÓN DEL MEDIO AMBIENTE

Compruebe la conformidad con las normas de eliminación aplicables. Para no poner en peligro al personal ni al medio ambiente, deseche todos los productos de desecho en una instalación o punto limpio aprobado.

## 6. DECLARACIÓN DE CONFORMIDAD CE

### Original

Nosotros, **Avdel UK Limited; Stanley House, Works Road, Letchworth Garden City, Hertfordshire, SG6 1JY REINO UNIDO**, declaramos bajo nuestra única responsabilidad que el producto:

**Descripción**

Remachadoras hidroneumáticas ProSet® XT3 y ProSet® XT4 para remaches ciegos

**Marca/Modelo**

POP-Avdel® / 76003 y POP-Avdel® / 76004

**N.º de serie**

al que se refiere la declaración es conforme a las siguientes normas:

ISO 12100:2010	EN ISO 3744:2010
EN ISO 11202:2010	EN ISO 11148-1:2011
EN ISO 4413:2010	BS EN 28662-1:1993
EN ISO 4414:2010	EN ISO 20643:2008+A1:2012
EN ISO 28927-5:2009/A1:2015	

La documentación técnica ha sido completada de conformidad con lo previsto en el Anexo 1, sección 1.7.4.1, y de acuerdo con las siguientes directivas:

### Directiva de máquinas 2006/42/CE

Instrumentos jurídicos de Reino Unido 2008, n.º 1597 - Normas de suministro de maquinaria (seguridad) aplicables.

**A. K. Seewraj**

**Director de Tecnología – EU Blind Fastening**

Avdel UK Limited, Stanley House, Works Road, Letchworth Garden City, Hertfordshire, SG6 1JY, REINO UNIDO

**Firma**

**Lugar de expedición**

**Letchworth Garden City**

**Fecha de expedición**

**01.03.2017**



Esta máquina es conforme a la Directiva relativa a máquinas 2006/42/CE.

## 7. ¡PROTEJA SU INVERSIÓN!

### 7.1 GARANTÍA DE LA REMACHADORA DE REMACHES CIEGOS POP®AVDEL®

STANLEY Engineered Fastening le garantiza que todas las herramientas has sido fabricadas cuidadosamente y no presentarán ningún defecto en sus materiales o en su funcionamiento al usarse de manera normal y durante un periodo de (1) año.

Esta garantía se aplica al primer comprador de la herramienta y solo para su uso original.

#### **Excepciones:**

##### **Desgaste normal.**

El mantenimiento periódico, la reparación o la sustitución de piezas debido al desgaste normal están excluidos de la garantía.

##### **Uso indebido.**

Cualquier defecto o daño causado por un uso o un almacenamiento inadecuado, un accidente o negligencia, así como un daño físico, quedarán excluidos de la garantía.

##### **Reparación o modificaciones no autorizadas.**

Cualquier defecto o daño producido por un servicio, ajuste de prueba, instalación, mantenimiento o modificación llevado a cabo por personal que no sea de STANLEY Engineered Fastening, o alguno de sus centros autorizados, quedarán excluidos de la garantía.

No se aplicará ninguna otra garantía, expresa o implícitamente indicada, incluyendo las garantías de comercialización o adecuación para un propósito concreto.

En caso de que esta herramienta falle estando en garantía, devuélvala a nuestro centro de servicio autorizado más cercano. Para obtener una lista de los Centros de servicio autorizados de POP®Avdel® en EE. UU. y Canadá, póngase en contacto con nosotros llamando al número gratuito (877) 364 2781.

Fuera de EE. UU. y Canadá, visite nuestro sitio web **[www.StanleyEngineeredFastening.com](http://www.StanleyEngineeredFastening.com)** para encontrar la oficina de STANLEY Engineered Fastening más próxima a su localidad.

STANLEY Engineered Fastening sustituirá gratis cualquier pieza que, según nuestro criterio, sea defectuosa debido a fallos del material o de fabricación y devolverá la herramienta con portes pagados. Esto constituye nuestra única obligación de conformidad con la presente garantía.

En ningún caso STANLEY Engineered Fastening se hará responsable de daños consecuentes o especiales que pudieran derivarse del uso de esta herramienta.

### 7.2 REGISTRE SU REMACHADORA ONLINE.

Para registrar su garantía en línea, visítenos en

<http://www.stanleyengineeredfastening.com/popavdel-powertools/warranty-card>.

Gracias por elegir una herramienta de la marca POP®Avdel® de STANLEY Engineered Fastening.



©2017 Stanley Black & Decker inc.

Kaikki oikeudet pidätetään.

Tässä olevia tietoja ei saa jäljentää ja/tai julkistaa millään tavalla tai millään keinolla (sähköisesti tai mekaanisesti) ilman STANLEY Engineered Fasteningin etukäteen hankittua kirjallista lupaa. Annetut tiedot perustuvat tuotteen julkaisuohjekellä tiedettyihin tietoihin. STANLEY Engineered Fastening pyrkii jatkuvaan tuotekehittelyyn ja tämän vuoksi tuotteita saatetaan muuttaa. Annetut tiedot soveltuvat tuotteeseen siinä muodossa, kuin STANLEY Engineered Fastening on sen toimittanut. Tämän vuoksi STANLEY Engineered Fasteningia ei voida pitää vastuussa mistään vahingoista, jotka aiheutuvat poikkeamista tuotteen alkuperäisistä teknisistä tiedoista.

Tiedot on laadittu äärimmäisen huolellisesti. STANLEY Engineered Fastening ei kuitenkaan ota vastuuta tietojen virheistä tai virheiden seurauksista. STANLEY Engineered Fastening ei hyväksy vastuuta kolmansien osapuolien suorittamien toimien aiheuttamista vaurioita. STANLEY Engineered Fasteningin käyttämiä alustavia nimiä, kauppanimiä, rekisteröityjä tavaramerkkejä jne. ei tule pitää ilmaisina tavaramerkkien suojan lainsäädännön mukaisesti.

## SISÄLLYSLUETTELO

<b>1.</b>	<b>TURVAMÄÄRITYKSET .....</b>	<b>2</b>
1.1	YLEISET TURVALLISUUSOHJEET .....	2
1.2	SINKOAVIEN OSIEN VAARAT .....	2
1.3	KÄYTTÖVAARAT .....	3
1.4	TOISTUVIEN LIIKKEIDEN VAARAT .....	3
1.5	LISÄVARUSTEIDEN VAARAT .....	3
1.6	TYÖTILAN VAARAT .....	4
1.7	ÄÄNITASON VAARAT .....	4
1.8	TÄRINÄVAARAT .....	4
1.9	PNEUMAATTISTEN SÄHKÖTYÖKALUJEN LISÄTURVALLISUUSOHJEET .....	4
<b>2.</b>	<b>MÄÄRITYKSET .....</b>	<b>5</b>
2.1.	TYÖKALUN TEKNISET TIEDOT .....	5
2.2	ASETUKSEN TEKNISET TIEDOT .....	6
2.3	PAKKAUKSEN SISÄLTÖ .....	7
2.4	PÄÄKOMPONENTTIEN LUETTELO .....	7
2.5	VAKIOMALLINEN KÄRKILAITTEISTO .....	7
<b>3.</b>	<b>TYÖKALUN ASETUS .....</b>	<b>8</b>
3.1	KÄRKILAITTEISTO (ks. kuva 2) .....	8
3.2	ILMANSYÖTTÖ (ks. kuva 3) .....	8
3.3	TOIMINTAPERIAATE .....	9
<b>4.</b>	<b>KÄYTTÖ .....</b>	<b>10</b>
4.1	TYÖKALUN KÄYTTÖ (ks. kuvat 1, 4, 5, 6) .....	10
4.2	KARAN KERÄIMEN TYHJENTÄMINEN (ks. kuva 1) .....	10
<b>5.</b>	<b>TYÖKALUN HUOLTO .....</b>	<b>11</b>
5.1	HUOLTOVÄLIT .....	11
5.2	KÄRKILAITTEISTO .....	11
5.3	PÄIVITTÄINEN HUOLTO .....	11
5.4	VIIKOITTAINEN HUOLTO .....	11
5.5	YMPÄRISTÖNSUOJELU .....	11
<b>6.</b>	<b>EY-VAATIMUSTENMUKAISUUSVAKUUTUS .....</b>	<b>12</b>
<b>7.</b>	<b>TURVAA SJOITUKSESI! .....</b>	<b>13</b>
7.1	POP®AVDEL® SOKKONIITTITYÖKALUN TAKUU .....	13
7.2	SOKKONIITTIIEN NIITTAUSKONEEN REKISTERÖINTI VERKOSSA .....	13





Kaikkien tätä työkalua asentavien tai käyttävien henkilöiden tulee lukea tämä käyttöohje ja kiinnittää erityistä huomiota seuraaviin turvasääntöihin.



Käytä aina iskulta suojaavia suojalaseja työkalun käyttämisen aikana. Vaadittu suojastaso tulee arvioida kunkin käyttökerran yhteydessä.



Käytä kuulonsuojaimia työnantajan ohjeiden mukaisesti noudattaen työterveyteen- ja turvallisuuteen liittyviä määräyksiä.



Työkalun käyttämisen aikana käyttäjän kädet voivat altistua murskautumis-, isku-, leikkautumis-, hankautumis- ja lämpövaaroille. Suojaa kädet asianmukaisilla suojakäsineillä.

## 1. TURVAMÄÄRITYKSET

Alla näkyvät selitykset liittyvät turvallisuuteen. Lue käyttöohje ja kiinnitä huomiota näihin symboleihin.



**VAARA:** Osoittaa välittömästi vaarallisen tilanteen. Jos tilannetta ei vältetä, se aiheuttaa hengen- tai vakavan vaaran.



**VAROITUS:** Osoittaa mahdollisesti vaarallisen tilanteen. Jos tilannetta ei vältetä, se saattaa aiheuttaa hengen- tai vakavan vaaran.



**HUOMIO:** Osoittaa mahdollisesti vaarallisen tilanteen. Jos tilannetta ei vältetä, se saattaa aiheuttaa pienen tai keskitason loukkaantumisen.

**HUOMIO:** Käytettynä ilman turvallisuuden hälytyskuvaketta osoittaa mahdollisesti vaarallisen tilanteen. Jos tilannetta ei vältetä, se saattaa aiheuttaa omaisuusvahingon.

***Tuotteen virheellinen käyttö tai ylläpito saattaa aiheuttaa vakavan loukkaantumisen ja omaisuusvahingon. Sinun tulee lukea ja ymmärtää kaikki varoitukset ja käyttöohjeet ennen laitteiston käyttöä. Sähkötyökalu- ja käyttäessä tulee noudattaa aina perusvarotoimia henkilövahinkovaaran välttämiseksi.***

### SÄILYTÄ KAIKKI VAROITUKSET JA OHJEET MYÖHEMPÄÄ KÄYTTÖÄ VARTEN

#### 1.1 YLEISET TURVALLISUUSOHJEET

- Vaarojen välttämiseksi turvallisuusohjeet tulee lukea ja ymmärtää ennen työkalun asentamista, käyttämistä, korjaamista, huoltamista tai lisävarusteiden vaihtamista tai työkalun lähellä työskentelemistä. Muutoin seurauksena voi olla vakava henkilövahinko.
- Ainoastaan pätevät ja koulutetut käyttäjät saavat asentaa tämän työkalun tai säätää ja käyttää sitä.
- ÄLÄ käytä muuhun käyttötarkoitukseen kuin STANLEY Engineered Fastening -sokkoniittien kiinnittämiseen.
- Käytä vain valmistajan suosittelemia osia, kiinnikkeitä ja lisävarusteita.
- ÄLÄ tee työkaluun muutoksia. Muutokset heikentävät turvaominaisuuksien tehokkuutta ja lisäävät käyttäjän riskejä. Kaikki asiakkaan työkaluun tekemät muutokset ovat täysin asiakkaan omalla vastuulla ja ne mitätöivät kaikki sovellettavat takuut.
- Älä hävitä turvallisuusohjeita, ne tulee antaa käyttäjälle.
- Älä käytä työkalua, jos se on vaurioitunut.
- Tarkista ennen käyttöä liikkuvat osat, niiden kiinnitys, osien eheys ja muut toimintaan vaikuttavat tekijät. Jos havaitset vaurioita, korjauta työkalu ennen sen käyttämistä. Poista jokoavain tai kiintoavain ennen käyttöä.
- Työkalut tulee tarkistaa säännöllisesti työkaluun merkittyjen ISO 11148 -vaatimusten mukaisten arvojen ja merkintöjen hyvän luettavuuden varmistamiseksi. Työnantajan/käyttäjän tulee ottaa yhteyttä valmistajaan, jos uusia merkkejä tarvitaan.
- Koulutetun henkilöstön täytyy aina ylläpitää työkalu turvallisessa työtilassa, ja se tulee tarkistaa säännöllisin väliajoin vaurioiden ja toiminnan osalta. Vain koulutettu henkilöstö saa purkaa laitteen. Älä pura työkalua ilman, että tutustut ylläpito-ohjeisiin.

#### 1.2 SINKOAVIEN OSIEN VAARAT

- Irrota ilmansyöttö työkalusta ennen kuin teet ylläpitotöitä, yrität säätää, asettaa tai irrottaa kärkikokoonpanoa.
- Huomaa, että työstökappaleista tai lisävarusteista, tai jopa itse työkalusta voi singota osia suurilla nopeuksilla.

- Käytä aina iskuilta suojaavia suojalaseja työkalun käyttämisen aikana. Vaadittu suojaustaso tulee arvioida kunkin käyttökerran yhteydessä.
- Arvioi tällöin myös sivullisille aiheutuvat vaarat.
- Varmista, että työstökappale on kiinnitetty hyvin.
- Tarkista, että kiinnittimien ja/tai karan suojat ovat paikoillaan ja hyväkuntoisia.
- ÄLÄ käytä työkalua, jos karan kokooja ei ole paikoillaan.
- Varoita karojen mahdollisesta sinkoutumisvaarasta työkalun etuosassa.
- ÄLÄ käytä työkalua, kun se on suunnattu ihmisiin päin.

### **1.3 KÄYTTÖVAARAT**

- Työkalun käyttämisen aikana käyttäjän kädet voivat altistua murskautumis-, isku-, leikkautumis-, hankautumis- ja lämpövaaroille. Suojaa kädet asianmukaisilla suojakäsineillä.
- Käyttö- ja huoltohenkilöstön tulee pystyä fyysisesti käsittelemään työkalun kokoa, painoa ja tehoa.
- Työkalun käyttöasennon tulee olla asianmukainen; valmistaudu vastaamaan normaaleihin tai äkkinäisiin liikkeisiin ja käytä työkalua molemmilla käsillä.
- Pidä työkalun kahvat kuivina, puhtaina sekä puhtaina öljystä ja rasvasta.
- Säilytä hyvä tasapaino ja jalansija työkalua käyttäessä.
- Vapauta käynnistys- ja pysäytyslaite ilmansyötön keskeytymisen varalta.
- Käytä ainoastaan valmistajan suosittelemia voiteluaineita.
- Vältä kontaktia hydrauliseen nesteeseen. Jos kuitenkin niin käy, pese kontaktialue huolellisesti ihottumien välttämiseksi.
- Hydraulioöljyjen ja voiteluaineiden terveydelle vaarallisten aineiden käyttöturvallisuustiedotteet ovat saatavilla pyynnöstä työkalun toimittajalta.
- Vältä sopimattomia asentoja, sillä ne eivät mahdollista vastaamista normaaleihin tai äkkinäisiin työkalun liikkeisiin vastaaminen.
- Jos työkalu on kiinnitetty kannatusjärjestelmään, varmista sen hyvä kiinnitys.
- Varo murskautumis- tai puristumisvaaraa, jos kärkilaitteistoa ei ole asennettu.
- ÄLÄ käytä työkalua, jos kärjen kotelo on irrotettu.
- Työkalun käyttäjän kädet tulee pitää riittävän etäällä ennen jatkamista.
- Kun kannat työkalua paikasta toiseen, pidä kätesi poissa liipaisimelta, jotta vältät työkalun tahattoman käynnistymisen.
- ÄLÄ käytä työkalua väärin pudottamalla se tai käyttämällä sitä vasarana.
- Varo, etteivät kuluneet karat aiheuta vaaratilanteita.
- Karan kokooja tulee tyhjentää, kun se on noin puolillaan.

### **1.4 TOISTUVIEN LIIKKEIDEN VAARAT**

- Työkalun käyttämisen aikana käyttäjällä voi ilmetä epämiellyttävää tunnetta käsissä, käsivarsissa, olkapäissä, kaulassa tai muissa kehonosissa.
- Työkalun käyttämisen aikana tulee varmistaa miellyttävä asento ja hyvä jalansija. Vältä hankalia tai epätasapainoisia asentoja. Käyttäjän tulee vaihtaa asentoa pitkäaikaisten työtoimenpiteiden aikana; tämä auttaa vähentämään epämukavuutta ja väsymystä.
- Jos käyttäjällä ilmenee oireita, kuten jatkuvaa tai toistuvaa epämukavuutta, kipua, sykähtelyä, särkyä, pistelyä, tunnottomuutta, polttavaa tunnetta tai jäykkyyttä, niitä ei saa jättää huomioimatta. Käyttäjän tulee kertoa niistä työnantajalle ja asiantunnevalle terveydenalan ammattilaiselle.

### **1.5 LISÄVARUSTEIDEN VAARAT**

- Irrota työkalu ilmansyötöstä ennen kärkikokoonpanon tai lisävarusteen asentamista tai irrottamista.
- Käytä ainoastaan kooltaan ja malliltaan työkalun valmistajan suosittelemia lisävarusteita ja tarvikkeita; älä käytä määritetyistä mitoista tai malleista poikkeavia lisävarusteita ja tarvikkeita.

### 1.6 TYÖTILAN VAARAT

- Liukastumiset, kaatumiset ja putoamiset aiheuttavat eniten työtaturmia. Varo liukkaita alustoja työkalun käytön aikana sekä ilma- tai hydraulisen letkun aiheuttamaa kompastumisvaaraa.
- Noudata varovaisuutta tuntemattomissa ympäristöissä. Olemassa voi olla piileviä vaaroja, kuten sähköjohtoja tai muita johtoja/putkia.
- Työkalua ei saa käyttää räjähdysalttiissa ympäristöissä eikä sitä ole eristetty sähkövirralta.
- Varmista, ettei ympäristössä ole sähköjohtoja, kaasuputkia, jne., jotka voivat aiheuttaa vaaroja työkalun vahingoittaessa niitä.
- Pukeudu asianmukaisesti. Älä käytä löysiä vaatteita tai koruja. Pidä hiukset, vaatteet ja kädet loitolla liikkuvista osista. Löysät vaatteet, korut tai pitkät hiukset voivat tarttua liikkuviin osiin.
- Varo, etteivät kuluneet karat aiheuta vaaratilanteita.

### 1.7 ÄÄNITASON VAARAT

- Suurille äänitasoille altistuminen voi aiheuttaa pysyviä ja vakavia kuulovaurioita ja muita ongelmia, kuten tinnitusta (soimista, vinkumista, kohinaa korvissa). Näiden vaarojen riskinarviointi ja asianmukaiset hallintatoimet ovat täten oleellisen tärkeitä.
- Riskiä vähentävät asianmukaiset hallintatoimet sisältävät muun muassa työstökappaleiden "soimista" ehkäisevät vaimennusmateriaalit.
- Käytä kuulonsuojaimia työnantajan ohjeiden mukaisesti noudattaen työterveyteen- ja turvallisuuteen liittyviä määräyksiä.
- Työkalua tulee käyttää ja ylläpitää ohjekirjan suositusten mukaisesti äänitason turhan nousemisen välttämiseksi.
- Varmista, että karan kokoojan vaimennin on paikoillaan ja hyvässä käyttökunnossa työkalua käyttäessä.

### 1.8 TÄRINÄVAARAT

- Tärinälle altistuminen voi aiheuttaa vakavia vammoja käsien ja käsivarsien hermostoon ja verenkiertoon.
- Käytä lämmintä vaateusta kylmissä käyttöolosuhteissa ja pidä kädet lämpiminä ja kuivina.
- Jos sormissa tai käsissä ilmenee tunnottomuutta, pistelyä, kipua tai ihonvärin vaalentumista, lopeta työkalun käyttö ja kerro asiasta työnantajalle ja lääkärille.
- Kun mahdollista, tue työkalun painoa telineellä, kiristimellä tai tasapainottimella kevyemmän otteen mahdollistamiseksi.

### 1.9 PNEUMAATTISTEN SÄHKÖTYÖKALUJEN LISÄTURVALLISUUSOHJEET

- Tuloilman paine ei saa ylittää 7 baaria (100 PSI).
- Ilmanpaine voi aiheuttaa vakavia henkilövahinkoja.
- Älä koskaan jätä toimivaa työkalua valvomatta. Irrota ilmaletku, kun työkalua ei käytetä, ennen lisävarusteiden vaihtamista tai työkalun korjaamisen yhteydessä.
- ÄLÄ anna karan kokoojassa olevan ilmanpoistoaukon suuntautua käyttäjään tai muihin henkilöihin. Älä koskaan suuntaa ilmaa itseäsi tai muita kohti.
- Vapaasti liikkuvat ja iskeytyvät letkut voivat aiheuttaa vakavia henkilövahinkoja. Tarkista aina letkujen ja kiinnitysosien ehjyys sekä kireys.
- Tarkista ilmaletkut ennen käyttöä vaurioiden varalta. Kaikkien liitäntöjen tulee olla tiiviit. Älä pudota painavia esineitä letkujen päälle. Terävä isku voi aiheuttaa sisäisiä vaurioita ja johtaa letkun ennen aikaiseen vahingoittumiseen.
- Kylmä ilma tulee suunnata käsistä pois päin.
- Kun käytetään yleismallisia kierreltiimiä (liitoskappaleet), lukitustapit tulee asentaa ja turvakaapeleita tulee käyttää mahdollisten letkun ja työkalun sekä letkujen välisten liitäntävikojen välttämiseksi.
- ÄLÄ nosta asetustyökalua letkusta. Käytä aina asetustyökalun kahvaa.
- Ilma-aukkoja ei saa tukkia tai peittää.
- Pidä lika ja vieraat esineet poissa työkalun hydraulijärjestelmästä, koska ne voivat aiheuttaa työkalun toimintahäiriön.

**STANLEY Engineered Fastening pyrkii jatkuvasti kehittämään ja parantamaan tuotteitaan, pidätämme oikeuden tuotteen teknisten tietojen muutoksiin ilman erillistä ilmoitusta.**

## 2. MÄÄRITYKSET

ProSet® XT3 & XT4 -laitteet ovat hydropneumaattisia työkaluja, jotka on tarkoitettu Stanley Engineered Fastening -sokkoniittien nopeaan kiinnittämiseen. Työkaluissa on tyhjiöjärjestelmä niittien säilyttämiseen sekä kuluneiden karojen helppo keräysjärjestelmä työkalun suunnasta riippumatta.

Vastaavaan kärkilaitteistoon yhdistettynä ProSet® XT3 & XT4 -laitteita voidaan käyttää sokkoniittien Ø 4,0 mm - Ø 6,4 mm kiinnittämiseen. Katso kaikki yhteensopivat niitit sivun 10 taulukosta.

Sivujen 2 ja 4 varoituksia täytyy noudattaa aina.

**ÄLÄ** käytä kosteissa olosuhteissa tai jos laitteen lähellä on syttyviä nesteitä tai kaasuja.

### 2.1. TYÖKALUN TEKNISET TIEDOT

	XT3		XT4	
<b>Vetovoima:</b> @ 5,5 bar	17,0 kN	3822 lbf	23,0 kN	5193 lbf
<b>Syöttöilman paine:</b> Minimi - maksimi	5,0 - 7,0 bar	72,5 - 101,5 lbf/in <sup>2</sup>	5,0 - 7,0 bar	72,5 - 101,5 lbf/in <sup>2</sup>
<b>Öljypaine:</b> Veto @ 5,5 bar	290 bar	4206 lbf/in <sup>2</sup>	395 bar	5729 lbf/in <sup>2</sup>
<b>Isku:</b> Männän vähimmäisisku	26,0 mm	1,02 in.	18,0 mm	0,91 in.
<b>Paino:</b> Mukaan lukien kärkilaitteisto	2,24 kg	4,94 lb	2,26 kg	4,98 lb
<b>Paino:</b> ilman kärkilaitteistoa	2,00 kg	4,41 lb	2,02 kg	4,41 lb
<b>Vapaa ilman tilavuus:</b> @ 5,5 bar	6,3 ltr	384,4 in <sup>3</sup>	6,3 ltr	384,4 in <sup>3</sup>
<b>Jakson kesto:</b> Likimäärin	0,9 sekuntia		1,0 sekuntia	

<b>Äänitasot määritetty äänitason testistandardin ISO 15744 ja ISO 3744 mukaisesti.</b>		XT3	XT4
A-painotettu äänitehotaso dB(A), L <sub>WA</sub>	Melun epävarmuus: k <sub>WA</sub> = 3,0 dB(A)	90,3 dB(A)	89,7 dB(A)
A-painotettu äänenpainetaso työasemassa dB(A), L <sub>pA</sub>	Melun epävarmuus: k <sub>pA</sub> = 3,0 dB(A)	79,3 dB(A)	78,7 dB(A)
C-painotettu äänenpainetaso huippuarvo dB(C), L <sub>pC'</sub> huippu	Melun epävarmuus: k <sub>pC</sub> = 3,0 dB(C)	82,7 dB(C)	81,5 dB(A)

<b>Tärinätaso määritetty tärinätason testistandardin ISO 20643 ja ISO 5349 mukaisesti.</b>	XT3	XT4
Tärinätaso, a <sub>hdi</sub> :	1,41 m/s <sup>2</sup>	1,80 m/s <sup>2</sup>
Tärinän epävarmuus: k	0,70 m/s <sup>2</sup>	0,90 m/s <sup>2</sup>
Ilmoitetut tärinäarvot standardin EN 12096 mukaisesti		

## 2.2 ASETUKSEN TEKNISET TIEDOT

Niittityyppi	Niitin halkaisija mm [tuumaa]										
	4 [5/32]	4,3	4,8 [3/16]	6	6,4 [1/4]	7	8	9	10	11	12
Avoin pää	●*		●**		●						
Suljettu pää	●*		●**		●						
HR	●*		●		●						
HS					● (3)						
Multi-Grip	●*		●**		●						
TL	●*		●								
T-Rivet (Emhart)	●*		●		●						
Self-Pluggger	●*		●		●						
Ultra Grip (UG) (NPR)					Ⓢ (3)						
CD					● (3)						
Avex®	● (2)		● (2)		● (2)						
Stavex®	● (2)		● (2)		● (1)(3)						
Avinox®/ Avibulb®	● (2)		● (2)	● (2)							
Avinox®XT / Avibulb®XT					● (1)(3)						
LSR/Bulbex®	● (2)		● (2)								
T-Lok®		● (2)	● (2)								
Avdel® SR	● (2)		● (2)		● (2)						
Hemlok®					● (1)(3)						
Interlock®			Ⓢ (2)		Ⓢ (1)(3)						
Maxlok®			● (3)		④ (3)						
Monobolt®			Ⓢ (1)(2)		Ⓢ (1)(3)						
Avtainer®									④ (1)(3)		
Avseal® (STD)				● (1)(3)		● (1)(3)	● (1)(3)	● (1)(3)	④ (1)(3)		
Avseal® (Low Press)							● (1)(3)	● (1)(3)	● (1)(3)	④ (1)(3)	④ (1)(3)
Q Rivet	● (2)		● (2)		● (2)						
T Rivet (Avdel)			● (1)(2)		● (1)(2)						
Avdelmate®			● (2)		● (2)						
Klamp-Tite® BAPK			Ⓢ (2)		Ⓢ (2)						
Klamp-Tite® BAPKTR			Ⓢ (1)(2)		Ⓢ (1)(2)						
Avdelok®			● (3)		④ (3)						

\* Käytä PRG540-46-kiinnitysleukaa ja kiinnitysleuan FAN276-064-työntökappaletta

\*\* Käytä PRG540-46-kiinnitysleukoja.

● Koskee työkalua XT3 ja XT4

Ⓢ Koskee vain työkalua XT3

④ Koskee vain työkalua XT4

(1) Vaatii muun kuin vakiomallisen suulakkeen

(2) Saatavilla muita suulakemalleja

(3) Vaatii muun kuin vakiomallisen suulakkeen.

Kuhunkin niittityyppiin sopivien yhteensopivien kärkikappaleiden luettelo (sisältää asennus- ja ylläpito-ohjeet) on saatavilla ProSet® -kärkilaitteiston ohjekirjasta 07900-09414

### 2.3 PAKKAUKSEN SISÄLTÖ

- 1 ProSet® XT3 tai XT4 -sokkoniittityökalu.
- 1 sarja vakiomallisia kärkilaitteistoja ja suulakkeita 4,8 mm [3/16"] ja 6,4 mm [1/4"] nitteihin.
- 1 Tulostettu ohjekirja – aluekohtainen.

### 2.4 PÄÄKOMPONENTTIEN LUETTELO

Katso kuvat 1 ja 2 sekä alla oleva taulukko.

Osa	Osanumero	Kuvaus	Määrä
1	76003-15000*	Vakiomallinen kärkilaitteisto	1
2	76003-02022	Ripustuskoukku	1
3	76003-05200	Karan kokooja	1
4	07001-00405	Öljytulppa	1
5	07003-00194	Tiiviste	1
6	76003-02008	Liipaisin	1
7	76003-03700	Sulkuventtiili	1
8	71210-02103	Lukitusmutteri	1

### 2.5 VAKIOMALLINEN KÄRKILAITTEISTO

Katso kuva 2 sekä alla oleva taulukko.

Osa	Osanumero	Kuvaus	Määrä
1c	PRN614	Suulake - 4,8 mm [3/16"] (asennettu)	1
1d	PRN811	Suulake - 6,4 mm [1/4"]	1
1e	76003-15001	Kärjen kotelo	1
1f	07003-00067	O-rengas	1
1g	DPN276-001	Kiinnitysleuan ohjain	1
1h	PRG540-44	Kiinnitysleuka	1 sarja
1i	DPN276-006	Kiinnitysleuan työntökappale	1
1j	DPN900-060	O-rengas	1
1k	DPN901-019	Kiinnitysleuan työntökappaleen jousi	1
1l	76003-15002	Vetopää	1
1m	76003-15004	Kiinnitysleuan ohjaimen lukitus	1
1n	DPN901-020	Jousi	1
1o	76003-15003	Vetopään sovitin	1
1p	07003-00277	O-rengas	1

Katso lisätietoa kärkilaitteistosta ProSet®-kärkilaitteiston ohjekirjasta 07900--09414 tai vieraile sivustolla [www.stanleyengineeredfastening.com/resource-center/document-library](http://www.stanleyengineeredfastening.com/resource-center/document-library)

Katso työkalun lisävarusteet ProSet-lisävarustekirjasta 07900-09415.

\* Kärkilaitteistoa ei toimiteta Proset XT3 -perustyökalun (76003-01000) ja Proset XT4 -perustyökalun (76004-01000) kanssa.

### 3. TYÖKALUN ASETUS

**TÄRKEÄÄ - LUE VAROITUKSET SIVULTA 6 JA 8 HUOLELLISESTI ENNEN LAITTEEN KÄYTTÖÖNOTTAMISTA.**

**TÄRKEÄÄ - ILMANSYÖTTÖ TÄYTYY OLLA POIS PÄÄLTÄ TAI KATKAISTU ENNEN KÄRKIKOKOONPANON KIINNITYSTÄ TAI IRROTUSTA.**

#### 3.1 KÄRKILAITTEISTO (ks. kuva 2)

Lihavoidut osanumerot viittaavat kuvien 1 ja 2 osiin sekä sivun 11 taulukoihin.

Työkalu toimitetaan esiasennetulla suulakkeella 4,8 mm [3/16"] niitteihin.

Yksi ylimääräinen suulake 6,4 mm [1/4"] niitteihin toimitetaan erikseen.

#### Kärkikappaleen asentaminen

- Ilmansyöttö täytyy katkaista.
- Valitse oikea kärkikappale asennettavalle niitille.
- Poista kärjen kotelo (**1e**), sekä kärkikappale (**1a, b, c tai d**) ja O-rengas (**1f**)
- Poista kärkikappale (**1a, b, c tai d**) kärjen kotelosta (**1e**)
- Valitse oikeankokoinen kärkikappale ja asenna osat paikoilleen päinvastaisessa järjestyksessä.

#### Kärkikokoonpanon poistaminen kokonaan

- Ilmansyöttö täytyy katkaista.
- Poista kärjen kotelo (**1e**), sekä kärkikappale (**1a, b, c tai d**) ja O-rengas (**1f**) työkalusta.
- Vedä kiinnitysleuan ohjaimen lukitusta (**1m**) taakse jousista (**1n**) vasten ja poista kiinnitysleuan ohjain (**1g**).
- Poista kiinnitysleuat (**1h**) kiinnitysleuan ohjaimesta (**1g**).
- Poista kiinnitysleuan työntökappale (**1i**), O-rengas (**1j**) ja kiinnitysleuan työntökappaleen jousi (**1k**) vetopästä (**1l**).
- Poista vetopääkokoonpano (**1q**) työkalun männästä ruuviavaimilla.

#### Kärkilaitteiston asentaminen

- Ilmansyöttö täytyy katkaista.
- Kaikki kuluneet tai vahingoittuneet osat tulee vaihtaa uusiin.
- Puhdista leuat (**1h**) ja tarkista niiden kuluneisuus.
- Varmista, ettei kiinnitysleuan työntökappaleessa (**1i**) tai kiinnitysleuan työntökappaleen jousessa (**k**) ole vääntymiä.
- Levitä kiinnitysleukoihin (**1h**) ohut kerros litiumpohjaista rasvaa.
- Laske kiinnitysleuat (**1h**) kiinnitysleuan ohjaimen (**1g**).
- Aseta kiinnitysleuan työntökappale (**1i**) ja O-rengas (**1j**) vetopäähän (**1l**).
- Vedä kiinnitysleuan ohjaimen lukitus (**1m**) taakse ja ruuvaa kiinnitysleuan ohjain (**1g**) kokonaan vetopäähän (**1l**).
- Vapauta kiinnitysleuan ohjaimen lukitus (**1m**) ja irrota sitten osittain kiinnitysleuan ohjain (**1g**), kunnes kiinnitysleuan ohjaimen lukituksen (**1m**) hampaat napsahtavat seuraavaan koloon kiinnitysleuan ohjaimessa (**1g**).
- Asenna kärjen kotelo (**1e**) kiinnitysleuan ohjaimen (**1g**) yli ja kiristä hyvin työkaluun.

Kärkikokoonpanot tulee huoltaa viikoittain. Pidä kaikkia kärkikokoonpanon sisäosia ja kärkikappaleita jonkin verran varastossa, sillä ne on vaihdettava säännöllisesti.

#### 3.2 ILMANSYÖTTÖ (ks. kuva 3)

Osat

- Pysäytyskorkki (käytetään suodattimen/säätimen tai voideltujen yksiköiden ylläpidon aikana)
  - Paineensäädin ja suodatin (tyhjennys päivittäin)
  - Pääsyötön tyhjennyskohta
  - Pääsyötön irrotuskohta
- Kaikki työkalut toimivat paineilmalla vähintään 5,0 baarin paineessa.

- Paineen säätimiä ja automaattisia voitelu-/suodatinjärjestelmiä käytetään pääilmansyötössä 3 metrin säteellä työkalusta (katso kuva 3).
- Ilmansyöttöletkuilla on tehollinen käyttöpaineen vähimmäisraja 150 % järjestelmän tuottamasta enimmäispaineesta tai 10 bar, kumpi on korkeampi.
- Ilmaletkujen täytyy olla öljynkestävät, niiden ulkopinnan täytyy kestää hankausta ja olla suojatut, jos käyttöolosuhteet voivat aiheuttaa letkujen vahingoittumisen.
- Kaikkien ilmaletkujen sisäläpimitan TÄYTYY olla vähintään 6,4 mm.
- Tarkista ilmapuodot. Jos letkut ja liittännät ovat vahingoittuneet, ne täytyy vaihtaa uusiin.
- Jos paineensäätimessä ei ole suodatinta, puhdista ilmaletku kerääntyneestä liasta tai vedestä ilmaamalla se, ennen kuin liität ilmaletkun työkaluun.

### 3.3 TOIMINTAPERIAATE

**HUOMIO - OIKEA SYÖTTÖPAINEN ON TÄRKEÄÄ ASENNUSTYÖKALUN VIRHEETTÖMÄN TOIMINNAN TAKAAMISEKSI. ILMAN OIKEITA PAINELAITTEITA VOI TAPAHTUA HENKILÖVAHINKOJA TAI LAITTEET VOIVAT VAHINGOITUA. SYÖTTÖPAINEN EI SAA YLITTÄÄ ASENNUSTYÖKALUN TEKNISISSÄ TIEDOISSA MAINITTUA SYÖTTÖPAINETTA.**

Lihavoidut osanumerot viittaavat kuvien 1 ja 2 osiin sekä sivun 11 taulukoihin.

Kun paineilmaletku on liitetty asennustyökaluun, työkalun veto- ja palautusjaksoja hallitaan painamalla kahvassa olevaa liipaisinta (6) ja vapauttamalla se.

- Ilmansyöttö on irrotettu.
- Liitä oikea kärkilaitteisto sivun 10 ja 12 ohjeiden mukaisesti.
- Liitä paineilmaletku ilmansulkuventtiiliin (7).
- Liitä paineilmaletku paineilman pääsyöttöjärjestelmään.
- Kytke paineilman syöttö päälle työkaluun liu'uttamalla ilmansulkuventtiili (7) yläasentoon.
- Ilmaa virtaa nyt työkaluun ja tyhjiöjärjestelmä on toiminnassa.
- Vedä liipaisimesta (6) ja vapauta se muutaman kerran työkalun koko jakson suorittamiseksi sen toiminnan tarkistamiseksi. Tarkkaile työkalun toimintaa. Tarkista mahdolliset neste- ja/tai ilmapuodot.



## 4. KÄYTTÖ

### 4.1 TYÖKALUN KÄYTTÖ (ks. kuvat 1, 4, 5, 6)

#### Sokkoniitin asentaminen

- Varmista, että karan kokooja (**3**) on asennettu paikoilleen.
- Asenna niitin kara kärkikappaleeseen (**1a, b, c tai d**). Tyhjiöjärjestelmä pitää niitin paikoillaan kärkikappaleessa.
- Sijoita työkalu.
- Varmista, että kärkilaitteisto on oikeassa kulmassa (90°) työstökappaleeseen nähden.
- Vedä ja pidä liipaisimesta (**6**), kunnes niitti on kiinnittynyt täysin.
- Kun niitti on kiinnittynyt kokonaan, vapauta liipaisin (**6**). Työkalu palaa sen lähtöasentoon automaattisesti. Kara putoaa automaattisesti karan kokoojaan (**3**) tyhjiöjärjestelmän ansiosta.
- Karan kokooja on tyhjennettävä ennen kuin se on puolillaan.

**HUOMIO – ÄLÄ ASENNAN NIITIN KARAA TAI NIITIN RUNKOA VOIMALLA. MUUTOIN TYÖKALU JA/TAI KÄYTÖJÄRJESTELMÄ VOI VAURIOITUA.**

### 4.2 KARAN KERÄIMEN TYHJENTÄMINEN (ks. kuva 1)

#### HUOMIO - ÄLÄ KÄYTÄ TYÖKALUA, JOS KARAN KOKOOJA ON IRROTETTU

- Työkalussa on pikaliitännällä varustettu karan kokooja (**3**).
- Karan kokooja voidaan irrottaa tai asentaa paikoilleen 60° kiertoliikkeellä.
- Kun karan kokooja (**3**) irrotetaan työkalusta, niitin tyhjiöjärjestelmä ja karan poistojärjestelmä kytkeytyvät automaattisesti pois päältä.
- Kun karan kokooja asennetaan takaisin, tyhjiöjärjestelmä kytkeytyy takaisin päälle.

## 5. TYÖKALUN HUOLTO

### 5.1 HUOLTOVÄLIT

Koulutetun henkilöstön täytyy suorittaa säännöllinen huolto ja kattava tarkastus tulee suorittaa vuosittain tai joka 500 000 syklin jälkeen, sen mukaan kumpi tapahtuu aikaisemmin.



IRROTA ILMANSYÖTTÖ



**HUOMIO** - Työkalun metallittomien osien puhdistamiseen ei saa käyttää liuottimia tai muita vahvoja kemikaaleja.

*Nämä kemikaalit voivat heikentää näiden osien valmistuksessa käytettyjä materiaaleja.*

### 5.2 KÄRKILAITTEISTO

Kärkikokoonpanot tulee huoltaa viikoittain tai 5 000 syklin välein. Pidä kaikkia kärkilaitteiston ja -kappaleiden sisäosia jonkin verran varastossa, sillä ne on vaihdettava säännöllisesti.

- Irrota ilmansyöttö.
- Poista kärkikokoonpano osion 3.1 ohjeiden mukaisesti.
- Tarkasta kaikki osat. Kaikki kuluneet tai vahingoittuneet osat tulee vaihtaa uuteen osaan.
- Tarkista erityisesti kiinnitysleukojen (1h) kuluneisuus.
- Puhdista kaikki osat ja levitä litiumpohjaista rasvaa (07992-00020) kiinnitysleukoihin (1h) sekä kiinnitysleukan ohjaimen kartioreikään (1g).
- Kokoa osion 3.1 asennusohjeiden mukaan.

### 5.3 PÄIVITTÄINEN HUOLTO

- Tarkista työkalu, letku ja liitännät ennen käyttöä mahdollisten ilma- tai öljyvuotojen varalta. Jos vaurioita havaitaan, poista työkalu käytöstä ja vaihda vialliset osat uusiin.
- Jos paineensäätimessä ei ole suodatinta, puhdista ilmaletku kerääntyneestä liasta tai vedestä ilmaamalla se, ennen kuin liität ilmaletkun työkaluun. Jos suodatin on paikoillaan, tyhjennä se.
- Tarkista, että kärkilaitteisto (1) sopii kiinnitettävään niittiin ja että se on oikein paikoillaan.
- Tarkista, että työkalun isku täyttää vähimmäisvaatimukset (ks. 2.1).
- Karan kokooja (3) on oltava paikoillaan työkalussa.
- Tarkista, että ilmakammio on tiukasti paikoillaan työkalun rungossa.

### 5.4 VIIKOITTAINEN HUOLTO

- Tarkista työkalu, letku ja liitännät mahdollisten ilma- tai öljyvuotojen varalta. Jos vaurioita havaitaan, poista työkalu käytöstä ja vaihda vialliset osat uusiin.

Katso täydelliset huolto-, viennääritys- ja ylläpito-ohjeet huolto-oppaasta nro 07900-09410 mallissa XT3 ja nro 07900-09411 mallissa XT4.

Katso tämän työkalun rasvan ja öljyn turvallisuustiedot huolto-oppaasta nro 07900-09410 mallissa XT3 ja nro 07900-09411 mallissa XT4.

### 5.5 YMPÄRISTÖNSUOJELU

Varmista, että noudatat soveltuvia jätemääräyksiä. Kaikki jätetuotteet tulee hävittää asianmukaisesti keräyspisteisiin, jotta ne eivät vaarantaisi henkilöstöä tai ympäristöä.

## 6. EY-VAATIMUSTENMUKAISUUSVAKUUTUS

### Alkuperäinen

Me, **Avdel UK Limited; Stanley House, Works Road, Letchworth Garden City, Hertfordshire, SG6 1JY UNITED KINGDOM**, vakuutamme vastuunalaisina, että seuraava tuote:

**Kuvaus**

ProSet® XT3 ja ProSet® XT4 Hydropneumaattiset työkalut sokkoniitteihin

**Tuotemerkki/malli**

POP-Avdel® / 76003 ja POP-Avdel® / 76004

**Sarjanumero**

joihin tämä ilmoitus viittaa, ovat seuraavien standardien mukaisia:

ISO 12100:2010	EN ISO 3744:2010
EN ISO 11202:2010	EN ISO 11148-1:2011
EN ISO 4413:2010	BS EN 28662-1:1993
EN ISO 4414:2010	EN ISO 20643:2008+A1:2012
EN ISO 28927-5:2009/A1:2015	

Tekninen dokumentaatio on laadittu liitteen 1, osan 1.7.4.1 mukaisesti seuraavaa direktiiviä noudattaen:

### 2006/42/EY Konedirektiivi

Ison-Britannian säädös 2008 nro 1597 – The Supply of Machinery (Safety) Regulations.

### A. K. Seewraj

#### Technology Manager – EU Blind Fastening

Avdel UK Limited; Stanley House, Works Road, Letchworth Garden City,  
Hertfordshire, SG6 1JY UNITED KINGDOM

**Allekirjoitus**

**Julkaisupaikka**      **Letchworth Garden City**

**Julkaistu**              **1.3.2017**



Tämä kone on konedirektiivin 2006/42/EY mukainen.

## 7. TURVAA SIOITUKSESI!

### 7.1 POP'AVDEL' SOKKONIITTITYÖKALUN TAKUU

STANLEY Engineered Fastening takaa, että kaikki sähkötyökalut on valmistettu huolellisesti ja että niissä ei ole materiaali- tai valmistusvirheitä normaalissa käytössä yhden (1) vuoden aikana.

Tämä takuu koskee työkalun ensimmäistä ostajaa vain alkuperäisessä käytössä.

#### **Rajaukset:**

##### **Normaali kuluminen.**

Säännöllinen huolto, korjaus ja vaihto-osat normaalin kulumisen vuoksi eivät kuulu takuun piiriin.

##### **Väärinkäyttö.**

Virheet tai vauriot, jotka aiheutuvat virheellisestä käytöstä, varastoinnista, väärinkäytöstä, onnettomuudesta tai laiminlyönnistä, kuten fyysisestä vahingosta eivät kuulu takuun piiriin.

##### **Valtuuttamaton huolto tai muuttaminen.**

Virheet tai vauriot, jotka aiheutuvat huollosta, testaussäädöstä, asennuksesta, ylläpidosta, muutoksista tai muokkauksesta millään tavalla jonkun muun kuin STANLEY Engineered Fasteningin tai sen valtuuttaman huoltokeskuksen tekemänä, eivät kuulu takuun piiriin.

Kaikki muut takuut, nimenomaiset tai epäsuorat, mukaan lukien takuut kauppakelpoisuudesta tai soveltuvuudesta käyttötarkoitukseen eivät kuulu takuuseen.

Jos tämä työkalu ei vastaa takuuta, palauta työkalu tehtaamme valtuuttamaan sinua lähellä olevaan huoltokeskukseen. Saat luettelon valtuutetuista POP'Avdel' -huoltokeskuksista Yhdysvalloissa tai Kanadassa ottamalla yhteyttä numeroon (877)364 2781.

Yhdysvaltojen ja Kanadan ulkopuolella löydät verkkosivustolta **[www.StanleyEngineeredFastening.com](http://www.StanleyEngineeredFastening.com)** lähimmän STANLEY Engineered Fasteningin toimipisteen.

STANLEY Engineered Fastening korvaa maksutta osan tai osat, joiden olemme todenneet olevan viallisia virheellisen materiaalin tai valmistuksen vuoksi, ja palautamme työkalun postikulut maksettuina. Tämä on ainoa takuun piiriin kuuluva velvoituksemme.

Missään tapauksessa STANLEY Engineered Fastening ei ole vastuussa mistään seurauksista tai erityisistä vahingoista, jotka aiheutuvat tuotteen ostamisesta tai käytöstä.

### 7.2 SOKKONIITTIIEN NIITTAUSKONEEN REKISTERÖINTI VERKOSSA.

Rekisteröi takuusi verkossa osoitteessa

<http://www.stanleyengineeredfastening.com/popavdel-powertools/warranty-card>.

Kiitos, että valitsit STANLEY Engineered Fasteningin POP'Avdel' -työkalun.



©2017 Stanley Black & Decker inc.

Tous droits réservés.

Les informations fournies ne peuvent être ni reproduites ni rendues publiques de quelque façon que ce soit et par quelque moyen que ce soit (électronique ou mécanique) sans autorisation préalable, expresse et écrite, de STANLEY Engineered Fastening. Les informations fournies sont issues des données connues au moment de la sortie de ce produit. STANLEY Engineered Fastening applique une politique d'amélioration en permanence des produits et par conséquent, les produits peuvent être modifiés. Les informations fournies s'appliquent au produit tel que livré par STANLEY Engineered Fastening. Par conséquent, STANLEY Engineered Fastening ne saurait être tenu responsable des dommages résultant de différences avec les caractéristiques d'origine du produit.

Les informations disponibles ont été rédigées avec le plus grand soin. Toutefois, STANLEY Engineered Fastening rejette toute responsabilité concernant les éventuelles erreurs dans les informations et les conséquences qu'elles pourraient entraîner. STANLEY Engineered Fastening rejette toute responsabilité quant aux dommages résultant d'activités effectuées par des tiers. Les appellations, noms commerciaux, marques commerciales déposées, etc. utilisés par STANLEY Engineered Fastening ne sont pas libres de droit, conformément à la législation sur la protection des marques.

## TABLE DES MATIÈRES

<b>1. DÉFINITIONS LIÉES À LA SÉCURITÉ .....</b>	<b>2</b>
1.1 RÈGLES DE SÉCURITÉ GÉNÉRALE.....	2
1.2 RISQUES DE PROJECTIONS.....	2
1.3 RISQUES LIÉS AU FONCTIONNEMENT .....	3
1.4 RISQUES LIÉS À LA RÉPÉTITION DES MOUVEMENTS.....	3
1.5 RISQUES LIÉS AUX ACCESSOIRES .....	3
1.6 RISQUES LIÉS AU POSTE DE TRAVAIL .....	4
1.7 RISQUES LIÉS AU BRUIT .....	4
1.8 RISQUES LIÉS AUX VIBRATIONS.....	4
1.9 CONSIGNES DE SÉCURITÉ SUPPLÉMENTAIRES PROPRES AUX OUTILS ÉLECTRIQUES PNEUMATIQUES .....	4
<b>2. CARACTÉRISTIQUES .....</b>	<b>5</b>
2.1 CARACTÉRISTIQUES DE L'OUTIL .....	5
2.2 SPÉCIFICATIONS POUR LA POSE.....	6
2.3 CONTENU DE L'EMBALLAGE .....	7
2.4 LISTES DES PRINCIPAUX COMPOSANTS .....	7
2.5 NEZ STANDARD .....	7
<b>3. CONFIGURATION DE L'OUTIL .....</b>	<b>8</b>
3.1 NEZ (Réf. fig. 2).....	8
3.2 ALIMENTATION EN AIR (Réf. fig. 3) .....	8
3.3 PRINCIPE DE FONCTIONNEMENT.....	9
<b>4. PROCÉDURE DE FONCTIONNEMENT .....</b>	<b>10</b>
4.1 FONCTIONNEMENT DE L'OUTIL (Réf. fig. 1, 4, 5, 6).....	10
4.2 VIDER LE BAC DE RÉCUPÉRATION DE MANDRINS (Réf. fig. 1) .....	10
<b>5. REVISION DE L'OUTIL .....</b>	<b>11</b>
5.1 INTERVALLES DE MAINTENANCE .....	11
5.2 NEZ.....	11
5.3 ENTRETIEN JOURNALIER .....	11
5.4 ENTRETIEN HEBDOMADAIRE.....	11
5.5 PROTÉGER L'ENVIRONNEMENT.....	11
<b>6. DÉCLARATION DE CONFORMITÉ CE .....</b>	<b>12</b>
<b>7. PROTÉGEZ VOTRE INVESTISSEMENT !.....</b>	<b>13</b>
7.1 GARANTIE DE L'OUTIL DE POSE DE RIVETS AVEUGLES POP®/AVDEL® .....	13
7.2 ENREGISTRER VOTRE OUTIL DE POSE DE RIVETS AVEUGLES EN LIGNE.....	13



Ce manuel d'utilisation doit être lu par toute personne installant ou utilisant cet outil, en portant une attention particulière aux consignes de sécurité qui suivent.



Veillez à toujours porter une protection oculaire pouvant résister aux impacts lorsque vous utilisez l'outil. La classe de protection nécessaire doit être définie en fonction de chaque utilisation.



Utilisez une protection auditive conformément aux instructions de votre employeur et telle que prescrite par la réglementation sur la santé et la sécurité au travail.



L'utilisation de l'outil peut exposer les mains de l'opérateur à des risques dont l'écrasement, les coups, les coupures, les éraflures et la chaleur. Portez des gants adaptés pour protéger vos mains.

## 1. DÉFINITIONS LIÉES À LA SÉCURITÉ

Les définitions ci-dessous décrivent le niveau de gravité de chaque mention d'avertissement. Veillez à lire le manuel et à faire attention à ces symboles.



**DANGER** : Indique une situation de risque imminent, qui conduit, si elle n'est pas évitée, à la mort ou à de graves blessures.



**AVERTISSEMENT** : Indique une situation de risque potentiel, qui pourrait, si elle n'est pas évitée, conduire à la mort ou à de graves blessures.



**ATTENTION** : Indique une situation de risque potentiel qui peut, si elle n'est pas évitée, conduire à des blessures légères.

**ATTENTION** : L'utilisation de ce mot sans symbole indique une situation de risque potentiel, qui peut, si elle n'est pas évitée, conduire à des dommages matériels.

***L'utilisation ou la maintenance incorrectes de ce produit peut entraîner de graves blessures et des dégâts matériels. Veillez à lire à bien comprendre tous les avertissements et toutes les instructions d'utilisation avant d'utiliser cet équipement. L'utilisation d'outils électriques impose le respect des consignes de sécurité de base afin de réduire le risque de blessure.***

### CONSERVEZ TOUS LES AVERTISSEMENTS ET TOUTES LES CONSIGNES POUR POUVOIR VOUS Y RÉFÉRER DANS LE FUTUR

#### 1.1 RÈGLES DE SÉCURITÉ GÉNÉRALE

- En raison des nombreux risques, veillez à lire et à assimiler les consignes de sécurité avant d'installer l'outil, de le faire fonctionner, de le réparer, d'en effectuer la maintenance et avant de remplacer un accessoire ou de travailler à proximité de l'outil. Le non-respect de cette consigne peut entraîner de graves blessures.
- L'installation, le réglage et l'utilisation de l'outil sont réservés aux seuls opérateurs, qualifiés et correctement formés.
- N'utilisez PAS l'outil à d'autres fins que l'utilisation prévue, à savoir, la pose de rivets aveugles STANLEY Engineered Fastening.
- N'utilisez que des pièces, fixations et accessoires, recommandés par le fabricant.
- NE modifiez PAS cet outil. Les modifications peuvent réduire l'efficacité des dispositifs de sécurité et augmenter les risques encourus par l'opérateur. Toute modification de l'outil réalisée par le client l'est sous sa propre et entière responsabilité et aura pour conséquence d'annuler toute garantie applicable.
- Ne jetez pas les consignes de sécurité ; transmettez-les à l'opérateur.
- N'utilisez pas l'outil s'il a été endommagé.
- Avant utilisation, vérifiez que les pièces mobiles sont alignées correctement et qu'elles ne sont pas coincées. Vérifiez l'absence de rupture de pièces ainsi que toute autre condition qui pourrait affecter le bon fonctionnement de l'outil. En cas de dommage, faites réparer l'outil avant de l'utiliser. Retirez toutes les clés ou pinces de réglage avant l'utilisation.
- Les outils doivent être inspectés périodiquement afin de contrôler que les valeurs nominales et les marquages prescrits par la partie applicable de la norme ISO 11148 figurent lisiblement sur l'outil. L'employeur/l'utilisateur doit contacter le fabricant pour obtenir des étiquettes de marquage de rechange en cas de nécessité.
- L'outil doit en permanence être conservé en bon état de marche, l'absence de dommages et son bon fonctionnement doivent être vérifiés à intervalles réguliers par des personnes qualifiées. Les opérations de démontage sont réservées aux seuls personnes qualifiées. Ne démontez pas cet outil sans avoir au préalable consulté les instructions liées à la maintenance.

#### 1.2 RISQUES DE PROJECTIONS

- Débranchez l'alimentation pneumatique de l'outil avant d'effectuer toute opération de maintenance, de réglage ou de fixer et de retirer le nez ou des accessoires.

- Gardez à l'esprit qu'une défaillance de l'ouvrage ou des accessoires, ou même de l'outil inséré peut engendrer leur projection à grande vitesse.
- Veillez à toujours porter une protection oculaire pouvant résister aux impacts lorsque vous utilisez l'outil. La classe de protection nécessaire doit être définie en fonction de chaque utilisation.
- Il est également nécessaire, au même moment, de définir les risques possibles pour les tiers.
- Veillez à ce que l'ouvrage soit fixé de façon sûre.
- Contrôlez que les moyens de protection contre l'éjection des fixations et/ou des mandrins sont correctement en place et opérationnels.
- N'utilisez PAS l'outil sans que le bac de récupération de mandrins soit installé.
- Restez vigilant par rapport la possible éjection des mandrins par l'avant de l'outil.
- Ne faites JAMAIS fonctionner l'outil en direction de quiconque.

### **1.3 RISQUES LIÉS AU FONCTIONNEMENT**

- L'utilisation de l'outil peut exposer les mains de l'opérateur à des risques dont l'écrasement, les coups, les coupures, les éraflures et la chaleur. Portez des gants adaptés pour protéger vos mains.
- Les opérateurs et le personnel de maintenance doivent être physiquement capables d'appréhender le volume, le poids et la puissance de l'outil.
- Tenez correctement l'outil ; restez prêt à contrer les mouvements normaux ou soudains, gardez vos deux mains disponibles.
- Gardez les poignées de l'outil sèches, propres et exemptes d'huile ou de graisse.
- Conservez une posture équilibré et gardez vos pieds bien ancrés au sol lorsque vous utilisez l'outil.
- Relâchez le dispositif de mise en marche/arrêt en cas de coupure de l'alimentation pneumatique.
- N'utilisez que les lubrifiants recommandés par le fabricant.
- Évitez tout contact avec le fluide hydraulique. Afin de minimiser le risque d'éventuelles irrptions cutanées, rincez abondamment en cas de contact.
- Les fiches de données de sécurité matière pour toutes les huiles et tous les lubrifiants hydrauliques sont disponibles sur demande auprès de votre fournisseur en outillage.
- Évitez toutes les postures inadaptées car elles ne permettent pas de contrer les mouvements normaux ou inattendus de l'outil.
- Si l'outil est installé sur un dispositif de suspension, veillez à qu'il soit correctement sécurisé.
- Gardez à l'esprit le risque d'écrasement ou de pincement si l'embout de nez n'est pas installé.
- N'utilisez PAS l'outil si le porte-nez n'est pas en place.
- Le dégagement des mains de l'utilisateur de l'outil est nécessaire avant l'intervention.
- Lorsque vous déplacez l'outil d'un endroit à un autre, gardez vos mains éloignées de la gâchette afin d'éviter tout déclenchement accidentel.
- NE maltraitez PAS l'outil en le faisant tomber ou en vous en servant comme d'un marteau.
- Prenez soin de vous assurer que les restes de mandrins ne créent pas de risque.
- Le bac de récupération de mandrins doit être vidé quand il est moitié plein.

### **1.4 RISQUES LIÉS À LA RÉPÉTITION DES MOUVEMENTS**

- Pendant l'utilisation de l'outil, il est possible que l'opérateur ressente un certain inconfort dans la mains, les bras, les épaules, le cou ou d'autres parties du corps.
- Pendant l'utilisation de l'outil, l'opérateur doit adopter une posture confortable mais sûre et éviter les maladresses et les déséquilibres. L'utilisateur doit changer de position au cours des longues opérations pour aider à éviter l'inconfort et la fatigue.
- Si l'opérateur présente des symptômes persistants et récurrents tels qu'un inconfort, des douleurs, des endolorissements, des picotements, des engourdissements, des sensations de brûlure ou des rigidités, n'ignorez pas ces signaux d'alerte. L'opérateur doit en référer à son employeur et consultez un professionnel de santé spécialisé.

### **1.5 RISQUES LIÉS AUX ACCESSOIRES**

- Débranchez l'outil de l'alimentation pneumatique avant d'installer ou de retirer l'embout de nez ou un accessoire.
- N'utilisez que des accessoires et des consommables de la taille et du type recommandés par le fabricant de l'outil. N'utilisez pas d'autres types ou tailles d'accessoires ou de consommables.



**1.6 RISQUES LIÉS AU POSTE DE TRAVAIL**

- Les glissades, les trébuchements et les chutes sont les causes principales des accidents de travail. Faites attention aux surfaces glissantes dues à l'utilisation de l'outil ainsi qu'aux risques de trébuchement que représentent les flexibles pneumatiques.
- Faites preuve de vigilance dans les environnements inconnus. Ils peuvent présenter des risques cachés, comme les risques liés à l'électricité ou aux autres réseaux de fluides.
- L'outil n'est pas conçu pour être utilisé dans des environnements potentiellement explosifs et elle n'est pas isolée contre les contacts électriques.
- Assurez-vous de l'absence de câbles électriques, de canalisations de gaz, etc. qui pourraient créer un risque s'ils sont endommagés pendant l'utilisation de l'outil.
- Portez des vêtements appropriés. Ne portez aucuns vêtements amples, ni bijoux. Gardez vos cheveux, vos vêtements et vos gants à l'écart des pièces mobiles. Les vêtements amples, les bijoux ou les cheveux longs peuvent être happés par les pièces mobiles.
- Prenez soin de vous assurer que les restes de mandrins ne créent pas de risque.

**1.7 RISQUES LIÉS AU BRUIT**

- Toute exposition à des niveaux sonores élevés peut provoquer une perte de l'ouïe invalidante et permanente ainsi que d'autres problèmes tels que des acouphènes (tintements, bourdonnements, sifflements ou ronronnements dans les oreilles). C'est la raison pour laquelle, l'évaluation des risques et la mise en œuvre de contrôles adaptés à ces risques sont essentiels.
- Les contrôles adaptés pour réduire ces risques peuvent inclure des actions comme la mise en place de matériaux insonorisants pour empêcher les ouvrages de "résonner".
- Utilisez une protection auditive conformément aux instructions de votre employeur et telle que prescrite par la réglementation sur la santé et la sécurité au travail.
- Utilisez et entretenez l'outil de la façon recommandée dans la présente notice, afin d'empêcher l'augmentation inutile du niveau sonore.
- Veillez à ce que le silencieux soit en place dans le récupérateur de mandrins et qu'il fonctionne correctement lorsque l'outil est actionné.

**1.8 RISQUES LIÉS AUX VIBRATIONS**

- L'exposition aux vibrations peut engendrer des dommages invalidants sur les nerfs et la circulation sanguine au niveau des mains et des bras.
- Portez des vêtements chauds lorsque vous travaillez dans le froid et gardez vos mains au chaud et au sec.
- Si vous ressentez des engourdissements, des picotements, des douleurs ou que la peau de vos doigts et de vos mains blanchit, n'utilisez plus l'outil, avertissez votre employeur et consultez un médecin.
- Soutenez, autant que possible, le poids de l'outil à l'aide d'un socle, d'un dispositif tenseur ou d'un balancier car ils permettent ensuite de tenir l'outil avec moins de force.

**1.9 CONSIGNES DE SÉCURITÉ SUPPLÉMENTAIRES PROPRES AUX OUTILS ÉLECTRIQUES PNEUMATIQUES**

- L'alimentation en air ne doit pas dépasser 7 bars (100 PSI).
- L'air sous pression peut provoquer de graves blessures.
- Ne laissez jamais l'outil en marche sans surveillance. Débranchez le flexible pneumatique lorsque l'outil n'est pas utilisé, avant de remplacer un accessoire ou pour effectuer des réparations.
- NE laissez PAS l'ouverture d'échappement d'air du bac de récupération de mandrins pointer vers l'opérateur ou d'autres personnes. Ne dirigez jamais l'air vers vous-même ou les autres.
- L'effet "coup de fouet" des flexibles peut engendrer de graves blessures. Contrôlez toujours l'absence de dommages et la bonne fixation des flexibles et des raccords.
- Avant utilisation, vérifiez l'absence de dommage sur la ligne d'air, tous les raccords doivent être correctement fixés. Ne faites tomber aucun objet lourd sur les flexibles. Un impact brusque peut engendrer des dommages internes et conduire à la rupture prématurée du flexible.
- L'air froid doit être dirigé loin des mains.
- Si vous utilisez des raccords universels à tourner (raccords à griffes), des goupilles de blocage doivent être installées et des câbles de sécurité doivent être utilisés comme protection contre les "effets coup de fouet" en cas de défaillance des raccordements flexible/outil ou flexible/flexible.
- Ne soulevez PAS l'outil par le flexible. Utilisez toujours la poignée de l'outil.
- Les orifices d'aération ne doivent ni être bouchés, ni être recouverts.
- Gardez le système hydraulique exempt de toute saleté ou corps étranger qui pourraient provoquer le dysfonctionnement de l'outil.

**La politique de STANLEY Engineered Fastening prévoit le développement et l'amélioration constants des produits et nous nous réservons le droit de modifier les caractéristiques techniques de tous les produits sans notification préalable.**

## 2. CARACTÉRISTIQUES

Les ProSet® XT3 et XT4 sont des outils hydropneumatiques conçus pour poser des rivets aveugles Stanley Engineered Fastening à haute vitesse. Les outils sont équipés d'un système d'aspiration qui retient le rivet et d'un système de récupération des restes de mandrins performant, quelle que soit l'orientation de l'outil.

Associé à un nez approprié, les outils ProSet® XT3 et XT4 servent à poser des rivets aveugles de Ø 4,0mm à Ø 6,4mm. Consultez le tableau de la page 10 pour consulter la liste de tous les rivets pouvant être utilisés.

Les avertissements de sécurité des pages 2 et 4 doivent constamment être respectées.

**NE l'utilisez PAS** dans les environnements humides ou en présence de liquides ou de gaz inflammables.

### 2.1. CARACTÉRISTIQUES DE L'OUTIL

	XT3		XT4	
<b>Force d'extraction</b> : À 5,5 bars	17,0 kN	3822 lbf	23,0 kN	5193 lbf
<b>Pression de l'alimentation en air</b> : Mini à Maxi	5,0 - 7,0 bars	72,5 - 101,5 lbf/in <sup>2</sup>	5,0 - 7,0 bars	72,5 - 101,5 lbf/in <sup>2</sup>
<b>Pression d'huile</b> : Extraction à 5,5 bars	290 bars	4206 lbf/in <sup>2</sup>	395 bars	5729 lbf/in <sup>2</sup>
<b>Course</b> : Course minimum du piston	26,0 mm	1,02 in.	18,0 mm	0,91 in.
<b>Poids</b> : Avec le nez	2,24 kg	4,94 lb	2,26 kg	4,98 lb
<b>Poids</b> : sans nez	2,00 kg	4,41 lb	2,02 kg	4,41 lb
<b>Volume d'air libre</b> : À 5,5 bars	6,3 l	384,4 in <sup>3</sup>	6,3 l	384,4 in <sup>3</sup>
<b>Durée du cycle</b> : Environ	0,9 seconde		1,0 seconde	

<b>Valeurs sonore déterminées selon le code de test au bruit des normes ISO 15744 et ISO 3744.</b>		XT3	XT4
Niveau de puissance sonore pondérée A dB (A), $L_{WA}$	Incertitude pour le bruit : $k_{WA} = 3,0$ dB(A)	90,3 dB(A)	89,7 dB(A)
Niveau de pression sonore pondérée-A émise au poste de travail dB(A), $L_{pA}$	Incertitude pour le bruit : $k_{pA} = 3,0$ dB(A)	79,3 dB(A)	78,7 dB(A)
Crête du niveau de pression sonore émis pondéré c dB(C), $L_{pc}$ , crête	Incertitude pour le bruit : $k_{pc} = 3,0$ dB(C)	82,7 dB(C)	81,5 dB(A)

<b>Valeurs des vibrations définies conformément aux tests sonores de la norme ISO 20643 et ISO 5349.</b>	XT3	XT4
Niveau des vibrations émises, $a_{hd}$ :	1,41 m/s <sup>2</sup>	1,80 m/s <sup>2</sup>
Incertitude vibrations : k	0,70 m/s <sup>2</sup>	0,90 m/s <sup>2</sup>
Valeurs des vibrations émises déclarées selon la norme EN 12096		

## 2.2 SPÉCIFICATIONS POUR LA POSE

Type de rivet	Diamètre de rivet mm [pouces]										
	4 [5/32]	4,3	4,8 [3/16]	6	6,4 [1/4]	7	8	9	10	11	12
Extrémité ouverte	●*		●**		●						
Extrémité fermée	●*		●**		●						
HR	●*		●		●						
HS					● (3)						
Multiprise	●*		●**		●						
TL	●*		●								
Rivet en T (Emhart)	●*		●		●						
Auto-perforant	●*		●		●						
Ultra Grip (UG) (NPR)					⊗ (3)						
CD					● (3)						
Avex®	● (2)		● (2)		● (2)						
Stavex®	● (2)		● (2)		● (1)(3)						
Avinox® / Avibulb®	● (2)		● (2)	● (2)							
Avinox®XT / Avibulb®XT					● (1)(3)						
LSR/Bulbex®	● (2)		● (2)								
T-Lok®		● (2)	● (2)								
Avdel® SR	● (2)		● (2)		● (2)						
Hemlok®					● (1)(3)						
Interlock®			⊗ (2)		⊗ (1)(3)						
Maxlok®			● (3)		Ⓞ (3)						
Monobolt®			⊗ (1)(2)		⊗ (1)(3)						
Avtainer®									Ⓞ (1)(3)		
Avseal® (STD)				● (1)(3)		● (1)(3)	● (1)(3)	● (1)(3)	Ⓞ (1)(3)		
Avseal® (À faible pression)							● (1)(3)	● (1)(3)	● (1)(3)	Ⓞ (1)(3)	Ⓞ (1)(3)
Rivet Q	● (2)		● (2)		● (2)						
Rivet en T (Advel)			● (1)(2)		● (1)(2)						
Avdelmate®			● (2)		● (2)						
Klamp-Tite® BAPK			⊗ (2)		⊗ (2)						
Klamp-Tite® BAPKTR			⊗ (1)(2)		⊗ (1)(2)						
Avdelok®			● (3)		Ⓞ (3)						

\* Utilisez les mâchoires PRG540-46 et l'ensemble poussoir de mâchoires FAN276-064

\*\* Utilisez les mâchoires PRG540-46.

● concerne à la fois l'outil XT3 et l'outil XT4 tool

⊗ Concerne uniquement l'outil XT3 tool

Ⓞ Concerne uniquement l'outil XT4

(1) Pointe d'embout non standard nécessaire

(2) D'autres types de nez sont proposés

(3) Pointe d'embout non standard nécessaire.

Pour obtenir la liste complète des nez en fonction de chaque type de rivets, avec les instructions de montage et de maintenance, consultez le manuel du nez ProSet® 07900-09414

### 2.3 CONTENU DE L'EMBALLAGE

- 1 Outil de pose de rivets aveugles ProSet® XT3 ou XT4.
- 1 jeu de nez et pointes d'embouts standard\* pour rivets de 4,8mm [3/16"] et 6,4mm [1/4"] rivets.
- 1 Manuel d'utilisation papier - en fonction de la région.

### 2.4 LISTES DES PRINCIPAUX COMPOSANTS

Consultez les figures 1 et 2 et le tableau ci-dessous.

Élément	N° de pièce	Désignation	Quantité
1	76003-15000*	Nez standard	1
2	76003-02022	Crochet de suspension	1
3	76003-05200	Bac de récupération de mandrins	1
4	07001-00405	Bouchon d'huile	1
5	07003-00194	Joint	1
6	76003-02008	Gâchette	1
7	76003-03700	Robinet d'ouverture/fermeture	1
8	71210-02103	Contre-écrou	1

### 2.5 NEZ STANDARD

Consultez la figure 2 et le tableau ci-dessous.

Élément	N° de pièce	Désignation	Quantité
1c	PRN614	Embout de nez - 4,8 mm [3/16] (installé)	1
1d	PRN811	Embout de nez - 6,4 mm [1/4"]	1
1e	76003-15001	Porte-nez	1
1f	07003-00067	Joint torique	1
1g	DPN276-001	Guide-mors	1
1h	PRG540-44	Mors	1 jeu
1i	DPN276-006	Glissière de mâchoire	1
1j	DPN900-060	Joint torique	1
1k	DPN901-019	Ressort du poussoir de mâchoire	1
1l	76003-15002	Tête d'extraction	1
1m	76003-15004	Système de verrouillage Guide-mors	1
1n	DPN901-020	Ressort	1
1o	76003-15003	Adaptateur Tête de traction	1
1p	07003-00277	Joint torique	1

Pour obtenir d'autres nez, consultez le manuel Nez ProSet® 07900-09414 ou notre site [www.stanleyengineeredfastening.com/resource-center/document-library](http://www.stanleyengineeredfastening.com/resource-center/document-library)

Pour obtenir la liste complète des accessoires pour l'outil, consultez le manuel Accessoires ProSet 07900-09415.

\* Le nez n'est pas fourni avec l'outil de base Proset XT3 (76003-01000) et l'outil de base Proset XT4 (76004-01000).

### 3. CONFIGURATION DE L'OUTIL

**IMPORTANT - LISEZ LES AVERTISSEMENTS SUR LA SÉCURITÉ DES PAGES 6 ET 8 ATTENTIVEMENT AVANT LA MISE EN SERVICE.**

**IMPORTANT - L'ARRIVÉE D'AIR DOIT ÊTRE FERMÉE OU DÉBRANCHÉE AVANT L'INSTALLATION OU LE RETRAIT DE L'EQUIPEMENT DE POSE.**

#### 3.1 NEZ (Réf. fig. 2)

Les numéros d'éléments en gras font référence aux composants des figures 1 et 2 et aux tableaux de la page 11.

L'outil complet est livré préassemblé avec l'embout de nez pour rivets de 4,8mm [3/16"].

Un embout de nez supplémentaire pour les rivets de 6,4mm [1/4"] est fourni séparément.

#### Installer l'embout de nez

- L'alimentation en air doit être débranchée.
- Choisissez l'embout de nez correspondant au rivet à installer.
- Retirez le porte-nez (**1e**) avec l'embout de nez (**1a, b, c ou d**) et le joint torique (**1f**)
- Retirez l'embout de nez (**1a, b, c ou d**) du porte-nez (**1e**)
- Choisissez l'embout de nez de la bonne taille, installez-le en procédant dans l'ordre inverse.

#### Retirer le nez complet.

- L'alimentation en air doit être débranchée.
- Retirez le porte-nez (**1e**) avec l'embout de nez (**1a, b, c ou d**) et le joint torique (**1f**) de l'outil.
- Repoussez le système de verrouillage du guide-mors (**1m**) contre le ressort (**1n**) puis retirez le guide-mors (**1g**).
- Retirez les mâchoires (**1h**) du guide-mors (**1g**).
- Retirez la glissière de mâchoires (**1i**), le joint torique (**1j**) et le ressort du guide-mors (**1k**) de la tête de traction (**1l**).
- Retirez l'ensemble Tête de traction (**1q**) du piston de l'outil à l'aide d'une clé

#### Monter le nez complet

- L'alimentation en air doit être débranchée
- Toute pièce usée ou endommagée doit être remplacée.
- Nettoyez les mâchoires (**1h**) et contrôlez l'absence d'usure.
- Assurez-vous que la glissière de mâchoires (**1i**) ou le ressort de la glissière de mâchoires (**k**) ne sont pas détendus.
- Recouvrez légèrement les mâchoires (**1h**) de graisse moly au lithium.
- Placez les mâchoires (**1h**) dans le guide-mors (**1g**).
- Insérez la glissière de mâchoires (**1i**) et le joint torique (**1j**) dans la tête de traction (**1l**).
- Repoussez le système de verrouillage de du guide-mors (**1m**) et vissez le guide-mors (**1g**) complètement sur la tête de traction (**1l**).
- Relâchez le système de verrouillage du guide-mors (**1m**) puis dévissez partiellement le guide-mors (**1g**) jusqu'à ce que les dents du système de verrouillage du guide-mors (**1m**) s'enclenchent dans la fente qui suit sur le guide-mors (**1g**).
- Placez le porte-nez (**1e**) sur le guide-mors (**1g**) et serrez-le complètement sur l'outil.

Les nez doivent être entretenus de façon hebdomadaire. Vous devez avoir en stock les composants internes de l'ensemble de nez et des pointes d'embout car ils doivent régulièrement être remplacés.

#### 3.2 ALIMENTATION EN AIR (Réf. fig. 3)

Composants

- Robinet d'arrêt (utilisé pendant la maintenance du filtre/régulateur ou des modules de lubrification)
- Régulateur de pression et filtre (vidange quotidienne)
- Point de vidange de l'alimentation principale
- Point de retrait de l'alimentation principale

- Tous les outils fonctionnent avec de l'air comprimé à une pression minimale de 5,0 bars.
- Les régulateurs de pression et les systèmes de lubrification/filtrage automatiques doivent être utilisés sur l'arrivée d'air principale à moins de 3 mètres de l'outil (voir fig. 3).
- Les flexibles d'arrivée d'air doivent au minimum avoir une pression nominale de fonctionnement de 150% de la pression maximum produite par le système ou de 10 bars, le plus élevé devant être appliqué.
- Les flexibles pneumatiques doivent être résistants à l'huile, leur revêtement extérieur doit résister à l'abrasion et ils doivent être blindés si les conditions de fonctionnement peuvent engendrer leur détérioration.
- Tous les flexibles DOIVENT avoir un diamètre intérieur minimum de 6,4 millimètres.
- Vérifiez l'absence de fuite d'air. S'ils sont endommagés, les flexibles et les raccords doivent être remplacés par des neufs.
- S'il n'y a pas de filtre sur le régulateur de pression, purgez la ligne d'air pour supprimer toutes les saletés ou l'eau accumulées, avant de raccorder le flexible pneumatique à l'outil.

### **3.3 PRINCIPE DE FONCTIONNEMENT**

**ATTENTION - UNE PRESSION D'ALIMENTATION CORRECTE EST ESSENTIELLE AU BON FONCTIONNEMENT DE L'OUTIL. DES BLESSURES OU L'ENDOMMAGEMENT DE L'OUTIL PEUVENT ÊTRE OCCASIONNÉS SI LA PRESSION EST INCORRECTE.**

**LA PRESSION D'ALIMENTATION NE DOIT PAS DÉPASSER CELLE INDIQUÉE DANS LES CARACTÉRISTIQUES DE L'OUTIL DE POSE**

Les numéros d'éléments en gras font référence aux composants des figures 1 et 2 et aux tableaux de la page 11.

Lorsque le flexible pneumatique est raccordé à l'outil de pose, les cycles d'extraction et de retour de l'outil sont contrôlés en enfonçant et en relâchant la gâchette **(6)** située sur la poignée.

- L'alimentation en air doit être débranchée.
- Raccordez l'équipement de nez approprié comme décrit à la page 10 et 12.
- Raccordez le flexible pneumatique à la vanne d'ouverture/fermeture d'air **(7)**.
- Raccordez le flexible pneumatique de l'alimentation en air principale.
- Activez l'arrivée d'air principale à l'outil en tournant la vanne d'arrivée/fermeture d'air **(7)** vers le haut.
- L'outil est alors approvisionné en air et le système d'aspiration est en marche.
- Enfoncez et relâchez la gâchette **(6)** plusieurs fois sur toute la course de l'outil pour contrôler le bon fonctionnement. Contrôlez l'action de l'outil. Vérifiez l'absence de fuite de fluide ou d'air.

## 4. PROCÉDURE DE FONCTIONNEMENT

### 4.1 FONCTIONNEMENT DE L'OUTIL (Réf. fig. 1, 4, 5, 6)

#### Poser un rivet aveugle

- Assurez-vous que le bac de récupération de mandrins (3) est bien installé.
- Insérez un mandrin de rivet dans l'embout de nez (1a, b, c ou d). Le système d'aspiration maintient le rivet dans la pointe de l'embout.
- Positionnez l'outil.
- Vérifiez que l'équipement de nez est au bon angle (90°) par rapport à la pièce.
- Maintenez la gâchette (6) enfoncée jusqu'à ce que le rivet soit complètement inséré.
- Une fois le rivet complètement inséré, relâchez la gâchette (6). L'outil revient automatiquement dans sa position initiale. Le mandrin est automatiquement lâché dans le bac de récupération (3) par le système d'aspiration.
- Le bac de récupération de mandrins doit être vidé avant qu'il soit moitié-plein.

**ATTENTION – NE FORCEZ PAS POUR INSÉRER LE MANDRIN DE RIVET OU LE CORPS DU RIVET. CELA ENDOMMAGERAIT L'OUTIL ET/OU L'OUVRAGE.**

### 4.2 VIDER LE BAC DE RÉCUPÉRATION DE MANDRINS (Réf. fig. 1)

#### ATTENTION - N'UTILISEZ PAS L'OUTIL SI LE BAC DE RÉCUPÉRATION DE MANDRINS A ÉTÉ RETIRÉ

- L'outil est équipé d'un bac de récupération de mandrins à raccordement/libération rapide (3).
- Une rotation à 60° permet de retirer ou de réinstaller le bac de récupération de mandrins.
- Le retrait du bac de récupération de mandrins (3) de l'outil coupe automatiquement le maintien du rivet par aspiration et le système d'extraction des mandrins.
- La réinstallation du bac de récupération des mandrins réactive le système d'aspiration.

## 5. REVISION DE L'OUTIL

### 5.1 INTERVALLES DE MAINTENANCE

Un entretien régulier doit être réalisé par du personnel qualifié et une inspection complète doit être effectuée tous les ans ou tous les 500 000 cycles, au premier des deux termes échu.



DÉBRANCHER L'ARRIVÉE D'AIR



**ATTENTION** - *N'utilisez jamais de solvants ou tout autre produit chimique décapant pour nettoyer les pièces non métalliques de l'outil.*

*Ces substances chimiques peuvent attaquer la matière de ces pièces.*

### 5.2 NEZ

Les ensembles nez doivent être entretenus de façon hebdomadaire ou tous les 5 000 cycles. Gardez un stock de tous les composants internes de l'ensemble nez et des pointes d'embout car ils doivent régulièrement être remplacés.

- Débranchez l'alimentation en air
- Retirez le nez complet à l'aide de la procédure décrite dans la section 3.1.
- Inspectez tous les composants. Toute pièce usée ou endommagée doit être remplacée par une pièce neuve.
- Contrôlez tout particulièrement l'usure des mâchoires **(1h)**.
- Nettoyez toutes les pièces et appliquez de la graisse moly au lithium (07992-00020) sur les mâchoires **(1h)** et l'alésage conique du guide-mors **(1g)**.
- Procédez à l'assemblage en respectant les instructions de montage de la section 3.1.

### 5.3 ENTRETIEN JOURNALIER

- Avant utilisation, contrôlez l'absence de fuites d'air ou d'huile sur l'outil, le flexible et les raccords. En cas de dommage, mettez l'outil hors service et remplacez les éléments endommagés par des pièces neuves.
- S'il n'y a pas de filtre sur le régulateur de pression, purgez la ligne d'air pour supprimer toutes les saletés ou l'eau accumulées, avant de raccorder le flexible pneumatique à l'outil. Si un filtre est présent, videz-le.
- Vérifiez que le nez **(1)** est adapté au rivet devant être posé et qu'il est correctement installé.
- Contrôlez que la course de l'outil correspond bien aux recommandations minimum (réf. 2.1).
- Le bac de récupération de mandrins **(3)** doit être installé sur l'outil.
- Contrôlez que la chambre d'air est parfaitement fixée sur le corps de l'outil.

### 5.4 ENTRETIEN HEBDOMADAIRE

- Contrôlez l'absence de fuites d'air ou d'huile sur l'outil, le flexible et les raccords. En cas de dommage, mettez l'outil hors service et remplacez les éléments endommagés par des pièces neuves.

Pour obtenir les instructions pour la révision complète, le dépannage et la maintenance, consultez le manuel de service n° 07900-09410 pour le XT3 et 07900-09411 pour le XT4.

Pour obtenir les données de sécurité liées à la graisse et à l'huile utilisées dans cet outil, consultez le manuel de service n° 07900-09410 pour le modèle XT3 et 07900-09411 pour le XT4.

### 5.5 PROTÉGER L'ENVIRONNEMENT

Veillez à respecter toutes les dispositions des réglementations en vigueur. Jetez tous les déchets dans un centre de déchets agréé afin de ne pas exposer le personnel et l'environnement à des risques.



## 6. DÉCLARATION DE CONFORMITÉ CE

### Original

Nous, **Avdel UK Limited ; Stanley House, Works Road, Letchworth Garden City, Hertfordshire, SG6 1JY UNITED KINGDOM**, déclarons sous notre seule responsabilité, que le produit :

<b>Désignation</b>	Outils hydropneumatiques pour pose de rivets aveugles ProSet <sup>®</sup> XT3 et ProSet <sup>®</sup> XT4
<b>Marque/Modèle</b>	POP-Avdel <sup>®</sup> / 76003 et POP-Avdel <sup>®</sup> / 76004
<b>N° de série</b>	

auxquels se réfère cette déclaration sont conformes aux normes suivantes :

ISO 12100:2010	EN ISO 3744:2010
EN ISO 11202:2010	EN ISO 11148-1:2011
EN ISO 4413:2010	BS EN 28662-1:1993
EN ISO 4414:2010	EN ISO 20643:2008+A1:2012
EN ISO 28927-5:2009/A1:2015	

La documentation technique a été compilée conformément à l'annexe 1, section 1.7.4.1, et conformément à la Directive suivante :

### 2006/42/CE Directive Machines

Textes réglementaires du Royaume-Uni 2008 N°1597 - faisant référence à la réglementation (de sécurité) en matière de fourniture de machines.

### A. K. Seewraj

#### Technology Manager – EU Blind Fastening

Avdel UK Limited ; Stanley House, Works Road, Letchworth Garden City,  
Hertfordshire, SG6 1JY UNITED KINGDOM

**Signature**



**Lieu d'émission**    **Letchworth Garden City**

**Date de diffusion**    **01/03/2017**



Cette machine est conforme à la Directive Machines 2006/42/CE.

## 7. PROTÉGEZ VOTRE INVESTISSEMENT !

### 7.1 GARANTIE DE L'OUTIL DE POSE DE RIVETS AVEUGLES POP<sup>®</sup>AVDEL<sup>®</sup>

STANLEY Engineered Fastening garantit que tous les outils ont été fabriqués avec soin et qu'ils seront exempts de défauts de pièces ou de main d'œuvre dans des conditions normales d'utilisation et d'entretien pendant une période d'un (1) an.

Cette garantie s'applique à l'acheteur de première main et pour un usage d'origine.

#### **Exclusions :**

##### **Usure normale.**

La maintenance périodique, la réparation et le remplacement des pièces dus à une usure normale ne sont pas couverts par de cette garantie.

##### **Utilisation abusive et incorrecte.**

Les défauts et dommages résultant d'une utilisation ou d'un stockage incorrect, d'une utilisation inappropriée ou abusive, d'un accident ou d'une négligence, comme les dommages physiques par exemple, ne sont pas couverts par cette garantie.

##### **Réparation ou modification non autorisées.**

Les défauts et dommages résultant d'une réparation, de réglages tests, d'une installation, d'une maintenance, d'une altération ou d'une modification de quelque sorte que ce soit, par quiconque n'appartenant pas à STANLEY Engineered Fastening ou l'un de ses représentants agréés, ne sont pas couverts par cette garantie.

Toutes les autres garanties, explicites ou implicites, dont les garanties de commercialisation ou d'adaptation à un usage particulier sont exclues par la présente.

Si cet outil devait ne pas répondre aux éléments garantis, retournez-le dans les meilleurs délais au centre de réparation agréé par notre usine, le plus proche. Pour obtenir la liste des centres de réparation agréés POP<sup>®</sup>Avdel<sup>®</sup> aux USA et au Canada, appelez notre numéro gratuit (877)364 2781.

En dehors des USA et du Canada, consultez notre site Internet [www.StanleyEngineeredFastening.com](http://www.StanleyEngineeredFastening.com) pour trouver votre centre STANLEY Engineered Fastening le plus proche.

STANLEY Engineered Fastening procèdera alors au remplacement, gratuit, de chacune des pièces jugées défectueuses par nos soins dont la cause serait un défaut de pièce ou de fabrication avant de retourner l'outil en prépayé. Ceci représente notre unique obligation dans le cadre de cette garantie.

En aucun cas STANLEY Engineered Fastening ne saura être tenu responsable pour quelque dommage consécutif ou spécial découlant de l'achat ou de l'utilisation de cet outil.

### 7.2 ENREGISTRER VOTRE OUTIL DE POSE DE RIVETS AVEUGLES EN LIGNE.

Pour enregistrer votre garantie en ligne, consultez notre page sur

<http://www.stanleyengineeredfastening.com/popavdel-powertools/warranty-card>.

Merci d'avoir choisi un outil de la marque STANLEY Engineered Fastening POP<sup>®</sup>Avdel<sup>®</sup>.



©2017 Stanley Black & Decker inc.

Tutti i diritti riservati.

Le informazioni riportate in questo manuale non possono essere riprodotte e/o rese pubbliche in alcun modo e con alcun mezzo (elettronico o meccanico) senza la preventiva ed esplicita autorizzazione scritta di STANLEY Engineered Fastening. Le informazioni fornite si basano su dati noti al momento dell'uscita sul mercato del prodotto. STANLEY Engineered Fastening persegue una politica di continuo miglioramento dei propri prodotti, pertanto essi possono essere soggetti a modifiche. Le informazioni qui riportate sono applicabili al prodotto così come è stato fornito da STANLEY Engineered Fastening, pertanto STANLEY Engineered Fastening non può essere ritenuta responsabile a fronte di eventuali danni derivanti da possibili deviazioni dalle specifiche originali del prodotto.

Le informazioni disponibili sono state redatte con la massima cura, tuttavia STANLEY Engineered Fastening declina ogni responsabilità per quanto riguarda eventuali errori presenti nelle informazioni e le relative conseguenze. STANLEY Engineered Fastening non accetta alcuna responsabilità per danni derivanti da attività svolte da terzi. L'utilizzo di nomi operativi, nomi commerciali, marchi registrati, ecc. da parte di STANLEY Engineered Fastening non dovrà essere considerato libero, ai sensi della legislazione in materia di protezione dei marchi.

## CONTENUTO

<b>1. DEFINIZIONI DI SICUREZZA .....</b>	<b>2</b>
1.1 NORME DI SICUREZZA GENERALI .....	2
1.2 PERICOLI ASSOCIATI ALL'ESPULSIONE DI PARTI E FRAMMENTI .....	2
1.3 PERICOLI OPERATIVI.....	3
1.4 PERICOLI ASSOCIATI AI MOVIMENTI RIPETITIVI.....	3
1.5 PERICOLI RIGUARDANTI GLI ACCESSORI .....	3
1.6 PERICOLI RIGUARDANTI IL LUOGO DI LAVORO.....	4
1.7 PERICOLI ASSOCIATI AL RUMORE .....	4
1.8 PERICOLI ASSOCIATI ALLA VIBRAZIONE .....	4
1.9 ISTRUZIONI DI SICUREZZA AGGIUNTIVE PER GLI UTENSILI ELETTROPNEUMATICI.....	4
<b>2. SPECIFICHE TECNICHE.....</b>	<b>5</b>
2.1. SPECIFICHE DELLA RIVETTATRICE .....	5
2.2 SPECIFICHE DI PIAZZAMENTO .....	6
2.3 CONTENUTO DELLA CONFEZIONE .....	7
2.4 ELENCO DEI COMPONENTI PRINCIPALI.....	7
2.5 TESTATA STANDARD.....	7
<b>3. INSTALLAZIONE DELLA RIVETTATRICE .....</b>	<b>8</b>
3.1 TESTATA (Rif. fig. 2).....	8
3.2 ALIMENTAZIONE DELL'ARIA (Rif. fig. 3).....	8
3.3 PRINCIPIO DI FUNZIONAMENTO .....	9
<b>4. PROCEDURA DI FUNZIONAMENTO .....</b>	<b>10</b>
4.1 FUNZIONAMENTO DELL'UTENSILE (Rif. Figg. 1, 4, 5, 6) .....	10
4.2 SVUOTAMENTO DEL CONTENITORE DI RACCOLTA DELLE SPINE (Rif. Fig. 1).....	10
<b>5. MANUTENZIONE DELLA RIVETTATRICE .....</b>	<b>11</b>
5.1 FREQUENZA DI MANUTENZIONE.....	11
5.2 TESTATA .....	11
5.3 MANUTENZIONE GIORNALIERA .....	11
5.4 MANUTENZIONE SETTIMANALE.....	11
5.5 PROTEZIONE DELL'AMBIENTE.....	11
<b>6. DICHIARAZIONE DI CONFORMITÀ CE.....</b>	<b>12</b>
<b>7. PROTEGGETE IL VOSTRO INVESTIMENTO!.....</b>	<b>13</b>
7.1 GARANZIA DELLE RIVETTATRICI PER RIVETTI A STRAPPO POP*AVDEL® .....	13
7.2 REGISTRAZIONE ONLINE DELLA RIVETTATRICE PER RIVETTI A STRAPPO.....	13



Questo manuale di istruzioni deve essere letto dalla persona che installa o utilizza l'attrezzo, con particolare attenzione alle norme di sicurezza riportate di seguito.



Durante l'impiego della rivettatrice indossare sempre un dispositivo di protezione per gli occhi resistente agli urti. Il grado di protezione richiesto deve essere valutato per ciascuna applicazione.



Utilizzare un dispositivo di protezione dell'udito in conformità con le istruzioni del datore di lavoro e secondo quanto previsto dalle normative sulla salute e sicurezza sul lavoro.



L'uso della rivettatrice può esporre le mani dell'operatore a rischi, quali schiacciamenti, urti, tagli, abrasioni e calore. Indossare guanti adatti per proteggere le mani.

## 1. DEFINIZIONI DI SICUREZZA

Le definizioni riportate di seguito descrivono il livello di allerta rappresentato da ogni parola di segnalazione. Leggere attentamente il manuale, prestando attenzione a questi simboli.



**PERICOLO:** indica una situazione di pericolo imminente che, se non evitata, provoca lesioni personali gravi o addirittura letali.



**AVVERTENZA:** indica una situazione potenzialmente pericolosa che, se non evitata, può causare morte o lesioni personali gravi.



**ATTENZIONE:** indica una situazione potenzialmente pericolosa che, se non evitata, potrebbe provocare lesioni personali di gravità lieve o media.

**ATTENZIONE:** se riportato senza il simbolo di avviso per la sicurezza, questo simbolo indica una situazione di potenziale pericolo che, se non evitata, potrebbe causare danni alla proprietà.

**L'uso o la manutenzione impropri di questo prodotto potrebbero causare gravi danni a persone e cose. Leggere attentamente le avvertenze e le istruzioni operative prima di utilizzare questo prodotto. Durante l'uso degli elettrodomestici è sempre necessario seguire le precauzioni di sicurezza di base per ridurre il rischio di lesioni alle persone.**

### CONSERVARE TUTTE LE AVVERTENZE E LE ISTRUZIONI PER CONSULTAZIONI SUCCESSIVE

#### 1.1 NORME DI SICUREZZA GENERALI

- Per pericoli multipli, leggere e comprendere le istruzioni di sicurezza prima di installare, utilizzare, riparare, mantenere, sostituire gli accessori o lavorare vicino alla rivettatrice. In caso contrario si può incorrere in gravi lesioni personali.
- Questa rivettatrice deve essere installata, regolata o utilizzata esclusivamente da operatori qualificati e addestrati.
- NON utilizzare la rivettatrice per scopi diversi dall'uso previsto di piazzamento di rivetti a strappo STANLEY Engineered Fastening.
- Utilizzare solo componenti, dispositivi di fissaggio e accessori raccomandati dal costruttore.
- NON modificare la rivettatrice. Le eventuali modifiche possono ridurre l'efficacia delle misure di sicurezza e aumentare i rischi per l'operatore. Qualsiasi eventuale modifica apportata alla rivettatrice dal cliente sarà sotto la sua totale responsabilità e comporterà l'inefficacia delle garanzie applicabili.
- Non gettare le istruzioni di sicurezza; darle all'operatore.
- Non utilizzare la rivettatrice se è danneggiata.
- Prima dell'uso, verificare che le parti mobili non siano allineate male o inceppate, che non vi siano componenti rotti e qualsiasi altra condizione che possa influire negativamente sul funzionamento della rivettatrice. Se la rivettatrice è danneggiata, farla riparare prima dell'uso. Rimuovere qualsiasi chiave di regolazione o chiave inglese prima dell'uso.
- Ispezionare periodicamente il prodotto per verificare che i valori nominali e i contrassegni richiesti da questa parte della norma ISO 11148 siano marcati in modo leggibile sullo stesso. Laddove necessario, il datore di lavoro/l'operatore dovrà contattare il produttore per ottenere le etichette con le marcature sostitutive.
- La rivettatrice deve essere sempre mantenuta in condizioni operative sicure e ispezionata a intervalli regolari per controllare la presenza di eventuali danni e verificarne il funzionamento da parte di personale qualificato. Qualsiasi procedura di smontaggio deve essere effettuata esclusivamente da personale qualificato. Non smontare il prodotto senza prima avere consultato le istruzioni di manutenzione.

#### 1.2 PERICOLI ASSOCIATI ALL'ESPULSIONE DI PARTI E FRAMMENTI

- Scollegare il tubo dell'aria dalla rivettatrice prima di eseguire qualsiasi operazione di manutenzione e di tentare di regolare, inserire o rimuovere una testata.

- Essere consapevoli del fatto che il guasto del pezzo in lavorazione o degli accessori, o persino dello stesso dispositivo inserito può generare l'espulsione di parti e frammenti ad alta velocità.
- Durante l'impiego della rivettatrice indossare sempre un dispositivo di protezione per gli occhi resistente agli urti. Il grado di protezione richiesto deve essere valutato per ciascuna applicazione.
- Nello stesso tempo dovrebbero essere valutati anche i rischi per le altre persone.
- Assicurarsi che il pezzo in lavorazione sia fissato saldamente.
- Verificare che i sistemi di protezione contro l'espulsione del dispositivo di fissaggio e/o del gambo siano installati e funzionanti.
- NON utilizzare la rivettatrice senza il raccogliambi inserito.
- Avvisare della possibile espulsione violenta dei gambi dalla parte anteriore della rivettatrice.
- NON utilizzare la rivettatrice dirigendola verso un'altra persona o altre persone.

### **1.3 PERICOLI OPERATIVI**

- L'uso della rivettatrice può esporre le mani dell'operatore a rischi, quali schiacciamenti, urti, tagli, abrasioni e calore. Indossare guanti adatti per proteggere le mani.
- Gli operatori e il personale addetto alla manutenzione devono essere fisicamente in grado di gestire l'ingombro, il peso e la potenza della rivettatrice.
- Sostenere correttamente la rivettatrice; essere preparati a contrastare movimenti normali o improvvisi e avere entrambe le mani a disposizione.
- Mantenere l'impugnatura della rivettatrice asciutta, pulita e libera da olio e grasso.
- Mantenere una postura equilibrata e un appoggio dei piedi sicuro.
- In caso di interruzione dell'alimentazione dell'aria rilasciare il dispositivo di avvio e arresto.
- Utilizzare esclusivamente i lubrificanti raccomandati dal produttore.
- Evitare il contatto con il fluido idraulico. Per ridurre al minimo il rischio della comparsa di eruzioni cutanee, lavarsi con cura in caso di contatto.
- Le Schede di sicurezza dei materiali relative a tutti gli oli idraulici e i lubrificanti sono disponibili su richiesta presso il proprio fornitore della rivettatrice.
- Evitare posture inadatte poiché è probabile che tali posizioni non consentano di contrastare il movimento normale o imprevisto della rivettatrice.
- Se la rivettatrice è fissata a un dispositivo di sospensione, assicurarsi che il fissaggio sia sicuro.
- Se la testata non è montata, prestare attenzione al rischio di stritolamento o schiacciamento.
- NON usare la rivettatrice con il canotto porta-naselli rimosso.
- Prima di iniziare a lavorare con la rivettatrice è necessario prevedere uno spazio adeguato per le mani dell'operatore.
- Durante il trasporto della rivettatrice tenere le mani lontano dal grilletto di azionamento per evitare l'avvio accidentale.
- NON abusare della rivettatrice facendola cadere o utilizzandola come martello.
- Prestare attenzione per assicurare che i gambi dei rivetti installati non creino un rischio.
- Quando il raccogliambi è circa mezzo pieno deve essere svuotato.

### **1.4 PERICOLI ASSOCIATI AI MOVIMENTI RIPETITIVI**

- Quando si utilizza la rivettatrice è possibile avvertire fastidio a mani, braccia, spalle, collo o altre parti del corpo.
- Durante l'impiego della rivettatrice, l'operatore deve adottare una postura confortevole mantenendo un appoggio dei piedi sicuro ed evitando posture scomode o sbilanciate. Cambiare postura durante le attività prolungate può contribuire a evitare disagio e affaticamento.
- Se l'operatore dovesse manifestare sintomi quali fastidio persistente o ricorrente, dolore pulsante, dolore, formicolio, intorpidimento, sensazione di bruciore o rigidità, è importante che non ignori questi segnali di avviso. Egli dovrà rivolgersi immediatamente al proprio datore di lavoro e consultare un operatore sanitario qualificato.

### **1.5 PERICOLI RIGUARDANTI GLI ACCESSORI**

- Scollegare la rivettatrice dall'alimentazione dell'aria ed elettrica prima di montare o rimuovere la testata o un accessorio.
- Utilizzare solo dimensioni e tipi di accessori e materiali di consumo raccomandati dal produttore della rivettatrice; non usare accessori o materiali di consumo di tipi o dimensioni diversi.

### **1.6 PERICOLI RIGUARDANTI IL LUOGO DI LAVORO**

- Scivolamenti, inciampi e cadute sono le principali cause di infortuni sul lavoro. Prestare attenzione alle superfici scivolose causate dall'uso della rivettatrice e anche ai pericoli di inciampo causati dalle linee aeree o dal tubo idraulico.
- Procedere con attenzione in ambienti non familiari. Potrebbero essere presenti pericoli nascosti, come cavi elettrici o altre linee di utenza.
- La rivettatrice non è destinata all'uso in atmosfere potenzialmente esplosive e non è isolata in caso di contatto con la corrente elettrica.
- Accertarsi che non vi siano cavi elettrici, tubi del gas, ecc. che possono essere pericolosi se danneggiati durante l'uso della rivettatrice.
- Indossare indumenti adeguati. Non indossare abiti lenti o gioielli. Tenere capelli, indumenti e guanti lontani dalle parti in movimento. Abiti larghi, gioielli o capelli lunghi possono impigliarsi nelle parti in movimento.
- Prestare attenzione per assicurare che i gambi dei rivetti installati non creino un rischio.

### **1.7 PERICOLI ASSOCIATI AL RUMORE**

- L'esposizione non protetta a livelli elevati di rumore può causare un'invalidità permanente, la perdita dell'udito e altri problemi, come l'acufene (un disturbo uditivo costituito da fischi, brusii o ronzii nelle orecchie). La valutazione dei rischi e l'implementazione di controlli appropriati per gli stessi sono essenziali.
- Tra i controlli opportuni per ridurre il rischio possono essere incluse azioni quali l'impiego di materiali che assorbono il rumore per evitare che i pezzi in lavorazione "rimbombino".
- Utilizzare un dispositivo di protezione dell'udito in conformità con le istruzioni del datore di lavoro e secondo quanto previsto dalle normative sulla salute e sicurezza sul lavoro.
- Utilizzare e mantenere la rivettatrice come raccomandato nel manuale di istruzioni, per evitare un inutile aumento del livello di rumore.
- Assicurarsi che il silenziatore all'interno del raccogliambi sia in posizione e in buono stato di funzionamento quando la rivettatrice viene utilizzata.

### **1.8 PERICOLI ASSOCIATI ALLA VIBRAZIONE**

- L'esposizione alla vibrazione può causare danni invalidanti ai nervi e all'afflusso sanguigno a mani e braccia.
- Indossare indumenti caldi quando si lavora in ambienti freddi e tenere le mani calde e asciutte.
- Se si dovessero avvertire intorpidimento, formicolio, dolore o sbiancamento della pelle delle dita o delle mani, interrompere l'uso della rivettatrice, informare il proprio datore di lavoro e consultare un medico.
- Laddove possibile sostenere il peso della rivettatrice avvalendosi di un supporto, un tenditore o un bilanciatore, che consentono di usare una presa più leggera per supportarla.

### **1.9 ISTRUZIONI DI SICUREZZA AGGIUNTIVE PER GLI UTENSILI ELETTROPNEUMATICI**

- L'aria compressa di alimentazione operativa non deve superare 7 bar (100 PSI).
- L'olio in pressione può causare gravi lesioni personali.
- Non lasciare mai incustodita la rivettatrice quando è in funzione. Scollegare il tubo flessibile dell'aria quando la rivettatrice non è in uso e prima di cambiare gli accessori o di effettuare riparazioni.
- NON lasciare che l'apertura di scarico dell'aria sul raccogliambi sia rivolta verso l'operatore o altre persone. Non dirigere mai l'aria verso se stessi o altre persone.
- Se i tubi flessibili vengono sbattuti possono causare gravi lesioni personali. Verificare sempre se sono presenti tubi flessibili e raccordi danneggiati o allentati.
- Prima dell'uso, controllare che le tubazioni aeree non siano danneggiate: tutti i collegamenti devono essere sicuri. Non far cadere oggetti pesanti sui tubi flessibili. Un forte impatto può causare danni interni e provocare una rottura prematura del tubo.
- Dirigere l'aria fredda lontano dalle mani.
- Ogni volta che si utilizzano giunti a camma (con innesti a denti), devono essere installati i perni di bloccaggio e devono essere utilizzati cavi di sicurezza a soffietto per proteggersi da possibili guasti del collegamento tubo-utensile o tubo-flessibile.
- Non sollevare la rivettatrice afferrandola dal tubo flessibile, ma utilizzare sempre l'impugnatura.
- Non bloccare o coprire i fori di ventilazione.
- Evitare l'ingresso di sporcizia e corpi estranei dall'impianto idraulico della rivettatrice per evitare malfunzionamenti della stessa.

**Nell'ambito della propria politica di sviluppo e miglioramento continui dei prodotti, STANLEY Engineered Fastening si riserva il diritto di apportare modifiche alle specifiche di qualsiasi prodotto senza alcun preavviso.**

## 2. SPECIFICHE TECNICHE

Le rivettatrici ProSet® XT3 & XT4 sono utensili idropneumatici concepite per piazzare rivetti a strappo Stanley Engineered Fastening ad alta velocità. Esse presentano un sistema di aspirazione che trattiene i rivetti e recupera i gambi dei rivetti installati a prescindere dall'orientamento dell'utensile.

Se abbinate alla testata corrispondente, le rivettatrici ProSet® XT3 & XT4 possono essere usate per piazzare rivetti a strappo con diametro da 4,0mm a 6,4mm. Consultare l'elenco di tutti i rivetti piazzabili con la rivettatrice nella tabella riportata a pagina 10.

Le avvertenze di sicurezza riportate alle pagine 2 e 4 devono essere osservate in ogni momento.

**NON** utilizzare la rivettatrice in ambienti umidi o in presenza di liquidi infiammabili o gas.

### 2.1. SPECIFICHE DELLA RIVETTATRICE

	XT3		XT4	
<b>Forza di trazione</b> a 5,5 bar	17,0 kN	3822 lbf	23,0 kN	5193 lbf
<b>Pressione di alimentazione dell'aria:</b> (da min. a max.)	5,0 - 7,0 bar	72,5 - 101,5 lbf/in <sup>2</sup>	5,0 - 7,0 bar	72,5 - 101,5 lbf/in <sup>2</sup>
<b>Pressione dell'olio:</b> (trazione a 5,5 bar)	290 bar	4206 lbf/in <sup>2</sup>	395 bar	5729 lbf/in <sup>2</sup>
<b>Corsa:</b> Corsa del pistone minima	26,0 mm	1,02 in	18,0 mm	0,91 in
<b>Peso:</b> (inclusa la testata)	2,24 kg	4,94 lb	2,26 kg	4,98 lb
<b>Peso</b> (esclusa la testata)	2,00 kg	4,41 lb	2,02 kg	4,41 lb
<b>Volume di aria libera richiesto:</b> a 5,5 bar	6,3 l	384,4 in <sup>3</sup>	6,3 l	384,4 in <sup>3</sup>
<b>Tempo di ciclo:</b> approssimativo	0,9 secondi		1,0 secondi	

Valori di rumorosità stabiliti in base al codice del test di rumorosità utilizzando gli standard ISO 15744 e ISO 3744.		XT3	XT4
Livello di potenza sonora ponderato "A" dB (A), $L_{WA}$	Incertezza rumore: $k_{WA} = 3,0$ dB(A)	90,3 dB(A)	89,7 dB(A)
Livello di pressione sonora ponderato "A" dell'emissione presso la postazione di lavoro dB(A), $L_{pA}$	Incertezza rumore: $k_{pA} = 3,0$ dB(A)	79,3 dB(A)	78,7 dB(A)
Livello di pressione sonora di picco ponderato "C" dell'emissione dB (C), $L_{pC}$ , picco	Incertezza rumore: $k_{pC} = 3,0$ dB(C)	82,7 dB(C)	81,5 dB(A)

Valori di vibrazione stabiliti in base al codice del test di vibrazione utilizzando gli standard ISO 20643 e ISO 5349.		XT3	XT4
Livello di emissione di vibrazione, $a_{hd}$ :		1,41 m/s <sup>2</sup>	1,80 m/s <sup>2</sup>
Incertezza vibrazioni: k		0,70 m/s <sup>2</sup>	0,90 m/s <sup>2</sup>
Valori di emissione di vibrazione dichiarati ai sensi della norma EN 12096			



## 2.2 SPECIFICHE DI PIAZZAMENTO

Tipo di rivetto	Diametro del rivetto in mm [pollici]										
	4 [5/32]	4,3	4,8 [3/16]	6	6,4 [1/4]	7	8	9	10	11	12
Estremità aperta	●*		●**		●						
Estremità chiusa	●*		●**		●						
HR	●*		●		●						
HS					● (3)						
MULTI-GRIP	●*		●**		●						
TL	●*		●								
Rivetto T (Emhart)	●*		●		●						
Autoperforante	●*		●		●						
Ultra Grip (UG) (NPR)					⊗ (3)						
CD					● (3)						
Avex <sup>®</sup>	● (2)		● (2)		● (2)						
Stavex <sup>®</sup>	● (2)		● (2)		● (1)(3)						
Avinox <sup>®</sup> / Avibulb <sup>®</sup>	● (2)		● (2)	● (2)							
Avinox <sup>®</sup> XT / Avibulb <sup>®</sup> XT					● (1)(3)						
LSR/Bulbex <sup>®</sup>	● (2)		● (2)								
T-Lok <sup>®</sup>		● (2)	● (2)								
Avdel <sup>®</sup> SR	● (2)		● (2)		● (2)						
Hemlok <sup>®</sup>					● (1)(3)						
Interlock <sup>®</sup>			⊗ (2)		⊗ (1)(3)						
Maxlok <sup>®</sup>			● (3)		Ⓞ (3)						
Monobolt <sup>®</sup>			⊗ (1)(2)		⊗ (1)(3)						
Avtainer <sup>®</sup>									Ⓞ (1)(3)		
Avseal <sup>®</sup> (STD)				● (1)(3)		● (1)(3)	● (1)(3)	● (1)(3)	Ⓞ (1)(3)		
Avseal <sup>®</sup> (A bassa pressione)							● (1)(3)	● (1)(3)	● (1)(3)	Ⓞ (1)(3)	Ⓞ (1)(3)
Q Rivet	● (2)		● (2)		● (2)						
Rivetto T (Avdel)			● (1)(2)		● (1)(2)						
Avdelmate <sup>®</sup>			● (2)		● (2)						
Klamp-Tite <sup>®</sup> BAPK			⊗ (2)		⊗ (2)						
Klamp-Tite <sup>®</sup> BAPKTR			⊗ (1)(2)		⊗ (1)(2)						
Avdelok <sup>®</sup>			● (3)		Ⓞ (3)						

\* Usare ganasce PRG540-46 e uno spingi-ganasce FAN276-064

\*\* Usare ganasce PRG540-46.

● Vale per entrambi i modelli, XT3 e XT4

⊗ Vale soltanto per il modello XT3

Ⓞ Vale solo per il modello XT4

(1) Nasello non standard richiesto

(2) Tipo di testata alternativa disponibile

(3) Testata non standard richiesta.

Per un elenco completo delle testate compatibili per ogni tipo di rivetto, insieme alle rispettive istruzioni di assemblaggio e di manutenzione, consultare il Manuale Testate ProSet® 07900-09414

### 2.3 CONTENUTO DELLA CONFEZIONE

- 1 Rivettatrice per rivetti a strappo ProSet® XT3 o XT4.
- 1 set testata standard e naselli per rivetti con diametro di 4,8mm [3/16"] e 6,4mm [1/4"].
- 1 Manuale di istruzioni stampato - in base all'area geografica.

### 2.4 ELENCO DEI COMPONENTI PRINCIPALI

Fare riferimento alle Figure 1 e 2 e alla tabella seguente.

Articolo	Codice pezzo	Descrizione	Q.tà
1	76003-15000*	Testata standard	1
2	76003-02022	Gancio di sospensione	1
3	76003-05200	Raccogliambi	1
4	07001-00405	Tappo dell'olio	1
5	07003-00194	Guarnizione	1
6	76003-02008	Grilletto	1
7	76003-03700	Valvola pneumatica on/off	1
8	71210-02103	Dado di bloccaggio	1

### 2.5 TESTATA STANDARD

Fare riferimento alla Figura 2 e alla tabella seguente.

Articolo	Codice pezzo	Descrizione	Q.tà
1c	PRN614	Nasello - 4,8 mm [3/16"] (pre-assemblato)	1
1d	PRN811	Nasello - 6,4 mm [1/4"]	1
1e	76003-15001	Cannotto	1
1f	07003-00067	O-ring	1
1g	DPN276-001	Guida-ganasce	1
1h	PRG540-44	Ganasce	1 Set
1i	DPN276-006	Spingi-ganasce	1
1j	DPN900-060	O-ring	1
1k	DPN901-019	Molla dello spingi-ganasce	1
1l	76003-15002	Testa di trazione	1
1m	76003-15004	Blocco guida-ganasce	1
1n	DPN901-020	Molla	1
1o	76003-15003	Adattatore testa di trazione	1
1p	07003-00277	O-ring	1

Per tipi di testate aggiuntivi consultare il Manuale delle Testate ProSet® 07900-09414 o visitare il sito web [www.stanleyengineeredfastening.com/resource-center/document-library](http://www.stanleyengineeredfastening.com/resource-center/document-library).

Per un elenco completo degli accessori consultare il Manuale Accessori ProSet 07900-09415.

\* Testata non in dotazione con l'utensile di base Proset XT3 (76003-01000) e l'utensile di base Proset XT4 (76004-01000).

### 3. INSTALLAZIONE DELLA RIVETTATRICE

**IMPORTANTE - LEGGERE ATTENTAMENTE LE AVVERTENZE DI SICUREZZA ALLE PAGINE 6 E 8 PRIMA DELLA MESSA IN SERVIZIO.**

**IMPORTANTE - L'ALIMENTAZIONE DELL'ARIA COMPRESSA DEVE ESSERE SPENTA O SCOLLEGATA PRIMA DI MONTARE O SMONTARE IL GRUPPO DELLE PUNTE.**

#### 3.1 TESTATA (Rif. fig. 2)

I numeri in grassetto si riferiscono ai componenti illustrati nelle Figure 1 e 2 ed elencati nelle tabelle riportate a pagina 11.

L'utensile completo viene fornito pre-assemblato con il nasello per rivetti con diametro di 4,8 mm [3/16"].

Un nasello aggiuntivo per 6,4mm [1/4"] rivetti forniti separatamente.

#### Montaggio del nasello

- L'alimentazione dell'aria deve essere scollegata.
- Scegliere il nasello corretto per il rivetto da piazzare.
- Rimuovere il cannotto (**1e**), incluso il nasello (**1a, b, c o d**), e l'O-ring (**1f**).
- Estrarre il nasello (**1a, b, c o d**) dal cannotto (**1e**).
- Selezionare il nasello di dimensioni corrette per i rivetti da piazzare e riassemblare procedendo in ordine inverso.

#### Rimozione della testata

- L'alimentazione dell'aria deve essere scollegata.
- Rimuovere il cannotto (**1e**), incluso il nasello (**1a, b, c o d**), e l'O-ring (**1f**) dall'utensile.
- Tirare indietro il blocco guida ganasce (**1m**) contro la molla (**1n**) e rimuovere la guida ganasce (**1g**).
- Rimuovere le ganasce (**1h**) dalla guida ganasce (**1g**).
- Rimuovere lo spingi-ganasce (**1i**), l'O ring (**1j**) e la molla dello spingi-ganasce (**1k**) dalla testa di trazione (**1l**).
- Rimuovere il gruppo testa di trazione (**1q**) dal pistone della rivettatrice utilizzando delle chiavi inglesi.

#### Montaggio della testata completa

- L'alimentazione dell'aria deve essere scollegata.
- Sostituire gli eventuali componenti usurati o danneggiati.
- Pulire le ganasce (**1h**) e verificarne l'usura.
- Assicurarsi che lo spingi-ganasce (**1i**) o la molla dello spingi-ganasce (**k**) non sia deformato/a.
- Applicare sulle ganasce (**1h**) un sottile strato di grasso al litio-molibdeno.
- Lasciare cadere le ganasce (**1h**) all'interno della guida ganasce (**1g**).
- Inserire lo spingi-ganasce (**1i**) e l'O ring (**1j**) nella testa di trazione (**1l**).
- Tirare indietro il blocco guida ganasce (**1m**) e avvitare completamente il guida ganasce (**1g**) sulla testa di trazione (**1l**).
- Rilasciare il blocco guida ganasce (**1m**) e svitare parzialmente il guida ganasce (**1g**) fino a quando il dente del blocco guida ganasce (**1m**) si incastra con un clic nella scanalatura successiva sul guida ganasce (**1g**).
- Posizionare il cannotto (**1e**) sopra il guida ganasce (**1g**) e serrarlo completamente sulla rivettatrice.

Le testate devono essere sottoposte a manutenzione ad intervalli settimanali. Sarebbe opportuno conservare una scorta di tutti i componenti interni della testata e dei naselli, in quando devono essere sostituiti regolarmente.

#### 3.2 ALIMENTAZIONE DELL'ARIA (Rif. fig. 3)

Componenti

- Rubinetto di arresto (utilizzato durante le operazioni di manutenzione del filtro/regolatore di pressione o delle unità di lubrificazione)
- Regolatore di pressione e filtro (scaricare giornalmente)
- Punto di scarico dell'impianto di alimentazione aria principale
- Punto di presa dall'impianto di alimentazione aria principale

- Tutti gli utensili vengono fatti funzionare con aria compressa a una pressione minima di 5,0 bar.
- I regolatori di pressione e i sistemi di filtraggio/lubrificazione automatici devono essere utilizzati sull'alimentazione dell'aria principale entro 3 metri dall'attrezzo (vedere la Fig. 3).
- I tubi flessibili di alimentazione dell'aria avranno una pressione nominale di esercizio efficace minima pari al 150% della pressione massima prodotta nell'impianto o di 10 bar, a seconda di quale sia il valore superiore.
- I tubi dell'aria devono essere resistenti all'olio, dotati di un rivestimento esterno resistente alle abrasioni e rinforzati, qualora le condizioni d'impiego possano causare il danneggiamento dei tubi flessibili.
- I tubi flessibili per l'aria compressa DEVONO avere un diametro interno minimo di 6,4 millimetri.
- Verificare la presenza di eventuali perdite di aria. Se sono danneggiati, i tubi flessibili e i raccordi devono essere sostituiti con articoli nuovi.
- Se non c'è nessun filtro sul regolatore di pressione, spurgare l'aria per eliminare la sporcizia o l'acqua accumulata prima di collegare il tubo dell'aria all'attrezzo.

### **3.3 PRINCIPIO DI FUNZIONAMENTO**

**ATTENZIONE - UNA PRESSIONE DI ALIMENTAZIONE DELL'ARIA ADEGUATA È IMPORTANTE PER IL CORRETTO FUNZIONAMENTO DELLA RIVETTATRICE. IN ASSENZA DEI VALORI DI PRESSIONE CORRETTI POTREBBERO VERIFICARSI LESIONI PERSONALI O DANNI ALLE APPARECCHIATURE.**

**LA PRESSIONE DI ALIMENTAZIONE DELL'ARIA NON DEVE SUPERARE IL VALORE INDICATO NELLE SPECIFICHE DELLA RIVETTATRICE.**

I numeri in grassetto si riferiscono ai componenti illustrati nelle Figure 1 e 2 ed elencati nelle tabelle riportate a pagina 11.

Quando il tubo dell'aria compressa viene collegato alla rivettatrice, i cicli di trazione e ritorno della rivettatrice vengono controllati premendo e rilasciando il grilletto **(6)** situato nell'impugnatura.

- L'alimentazione dell'aria è scollegata.
- Collegare la testata appropriata, come descritto a pagina 10 e 12.
- Connettere il tubo dell'aria compressa alla valvola pneumatica on/off **(7)**.
- Connettere il tubo dell'aria compressa all'impianto di alimentazione dell'aria principale.
- Attivare l'alimentazione dell'aria compressa alla rivettatrice dall'impianto principale, facendo scorrere la valvola pneumatica on/off **(7)** nella posizione superiore.
- A questo punto l'aria viene fornita alla rivettatrice e il sistema di aspirazione è in funzione.
- Tirare e rilasciare il grilletto **(6)** alcune volte fino alla corsa completa del pistone della rivettatrice per verificarne il funzionamento. Osservare l'azione della rivettatrice. Verificare che non vi siano perdite di fluido idraulico e/o aria.

## **4. PROCEDURA DI FUNZIONAMENTO**

### **4.1 FUNZIONAMENTO DELL'UTENSILE (Rif. Figg. 1, 4, 5, 6)**

#### **Piazzamento di un rivetto a strappo**

- Assicurarsi che il raccogliambi (3) sia montato.
- Inserire il gambo del rivetto nel nasello (1a, b, c o d). Il sistema di aspirazione tratterrà il rivetto nel nasello.
- Posizionare la rivettatrice.
- Assicurarsi che il nasello si trovi ad angolo retto (90°) rispetto a pezzo da lavorare.
- Tirare e tenere premuto il grilletto (6) finché il rivetto non è completamente fissato nell'applicazione.
- Una volta che il rivetto è stato fissato completamente, rilasciare il grilletto (6). La rivettatrice tornerà automaticamente alla sua posizione iniziale. Il gambo del rivetto viene fatto cadere automaticamente nel raccogliambi (3) dal sistema di aspirazione.
- Il raccogliambi deve essere svuotato prima che sia metà pieno.

**ATTENZIONE – NON FORZARE L'INSERIMENTO DEL GAMBO O DEL CORPO DI UN RIVETTO. QUESTO FATTO DANNEGGERÀ LA RIVETTATRICE E/O IL PEZZO IN LAVORAZIONE.**

#### **4.2 SVUOTAMENTO DEL CONTENITORE DI RACCOLTA DELLE SPINE (Rif. Fig. 1)**

**ATTENZIONE – NON UTILIZZARE LA RIVETTATRICE QUANDO IL RACCOGLIAMBÌ NON È INSERITO**

- La rivettatrice è dotata di un raccogliambi (3) a connessione e rilascio rapidi.
- Per rimuovere o sostituire il raccogliambi è necessario farlo ruotare di 60°.
- Nel rimuovere il raccogliambi (3) dalla rivettatrice il sistema di aspirazione per la trattenuta del rivetto e recupero del gambo viene disattivato in automatico.
- Quando il raccogliambi viene rimontato il sistema di aspirazione si riattiva.

## 5. MANUTENZIONE DELLA RIVETTATRICE

### 5.1 FREQUENZA DI MANUTENZIONE

Occorre eseguire una regolare manutenzione da parte di personale qualificato e condurre un controllo completo annualmente oppure ogni 500.000 cicli, a seconda di quale evenienza si verifica per prima.



SCOLLEGARE L'ALIMENTAZIONE DELL'ARIA



**ATTENZIONE** - Non utilizzare mai solventi o altri prodotti chimici aggressivi per pulire le parti non metalliche della rivettatrice.

*Tali prodotti chimici indeboliscono i materiali utilizzati per questi componenti.*

### 5.2 TESTATA

Le testate devono essere sottoposte a manutenzione a intervalli settimanali oppure ogni 5000 cicli. Conservare una scorta di tutti i componenti interni della testata e dei naselli, in quando devono essere sostituiti regolarmente.

- Scollegare l'alimentazione dell'aria
- Rimuovere la testata completa procedendo in ordine inverso rispetto alla procedura di installazione descritta nel paragrafo 3.1.
- Ispezionare tutti i componenti.
- Sostituire gli eventuali componenti usurati o danneggiati con componenti nuovi.
- In particolare, verificare lo stato di usura delle ganasce (**1h**).
- Pulire tutti i componenti, applicare grasso al litio-molibdeno (07992-00020) sulle ganasce (**1h**) l'alesaggio di conicità del guida-ganasce (**1g**).
- Riasssemblare i componenti seguendo le istruzioni di descritte nel paragrafo 3.1.

### 5.3 MANUTENZIONE GIORNALIERA

- Prima dell'uso controllare l'utensile, il tubo flessibile e i raccordi per verificare che non vi siano perdite d'aria e di olio. Se la rivettatrice è danneggiata, metterla fuori servizio e sostituire i componenti interessati con componenti nuovi.
- Se non c'è nessun filtro sul regolatore di pressione, spurgare l'aria per eliminare la sporcizia o l'acqua accumulata prima di collegare il tubo dell'aria alla rivettatrice. Se è presente un filtro, spurgarlo.
- Verificare che la testata (**1**) sia adatta per il rivetto da piazzare e sia montata correttamente.
- Controllare che la corsa del pistone della rivettatrice soddisfi il valore minimo specificato (vedere il paragrafo 2.1).
- Il raccogliambi (**3**) deve essere inserito nella rivettatrice.
- Controllare che la camera d'aria sia fissata completamente al corpo della rivettatrice.

### 5.4 MANUTENZIONE SETTIMANALE

- Controllare l'utensile, il tubo flessibile e i raccordi per verificare che non vi siano perdite d'aria e di olio. Se la rivettatrice è danneggiata, metterla fuori servizio e sostituire i componenti interessati con componenti nuovi.

Per le istruzioni complete riguardanti l'assistenza, la ricerca e risoluzione dei problemi e la manutenzione della rivettatrice consultare il Manuale di servizio n. 07900-09410 per il modello XT3 e 07900-09411 per il modello XT4.

Per i dati relativi alla sicurezza del grasso e dell'olio impiegati in questo utensile consultare il Manuale di servizio n. 07900-09410 per il modello XT3 e 07900-09411 per il modello XT4.

### 5.5 PROTEZIONE DELL'AMBIENTE

Assicurare la conformità alle normative applicabili sullo smaltimento. Smaltire tutto il materiale di scarto presso una struttura o un sito autorizzati, in modo da non esporre il personale e l'ambiente a rischi.

## 6. DICHIARAZIONE DI CONFORMITÀ CE

### Traduzione del testo originale dall'inglese

Noi, **Avdel UK Limited; Stanley House, Works Road, Letchworth Garden City, Hertfordshire, SG6 1JY REGNO UNITO**, dichiariamo sotto nostra completa responsabilità che il prodotto:

**Descrizione**

Rivettatrici idropneumatiche per rivetti a strappo ProSet® XT3 e ProSet® XT4

**Marca/Modello**

POP-Avdel® / 76003 e POP-Avdel® / 76004

**N° di serie**

al quale si riferisce la presente dichiarazione sono conformi al seguente standard:

ISO 12100:2010	EN ISO 3744:2010
EN ISO 11202:2010	EN ISO 11148-1:2011
EN ISO 4413:2010	BS EN 28662-1:1993
EN ISO 4414:2010	EN ISO 20643:2008+A1:2012
EN ISO 28927-5:2009/A1:2015	

La documentazione tecnica è compilata in base all'Allegato 1, sezione 1.7.4.1, ai sensi della Direttiva seguente:

**2006/42/CE (Direttiva Macchine)**

UK Statutory Instruments 2008 No 1597 - The Supply of Machinery (Safety) Regulations [Norme di sicurezza riguardanti la fornitura di macchinari in vigore nel Regno Unito].

**A. K. Seewraj**
**Responsabile delle tecnologie - EU Blind Fastening**

Avdel UK Limited, Stanley House, Works Road, Letchworth Garden City,  
Hertfordshire, SG6 1JY REGNO UNITO

**Firma**

**Luogo di emissione Letchworth Garden City**
**Data di emissione 01/03/2017**


Questo utensile è conforme alla Direttiva Macchine 2006/42/CE.

## 7. PROTEGGETE IL VOSTRO INVESTIMENTO!

### 7.1 GARANZIA DELLE RIVETTATRICI PER RIVETTI A STRAPPO POP® AVDEL®

STANLEY Engineered Fastening garantisce che tutti gli elettrotensili sono stati fabbricati accuratamente e che, in condizioni di utilizzo e manutenzione normali, saranno esenti da difetti materiali e di fabbricazione per un periodo di un (1) anno.

La presente garanzia si applica al primo acquirente dell'utensile che lo utilizzi esclusivamente per lo scopo previsto.

#### **Esclusioni:**

##### **Usura normale**

Gli interventi di manutenzione periodica, la riparazione o la sostituzione di parti richiesti per via della normale usura non sono coperti dalla presente garanzia.

##### **Abuso e utilizzo improprio**

Eventuali difetti o danni causati da impiego e conservazione impropri, utilizzo scorretto o abuso dell'attrezzo, accidentali o frutto di negligenza, quali i danni materiali, non sono coperti dalla presente garanzia.

##### **Assistenza o modifica non autorizzata**

Eventuali difetti o danni causati da interventi di assistenza, regolazione di prova, installazione, interventi di manutenzione, alterazioni o modifiche di qualsiasi genere apportati da persone diverse dal personale STANLEY Engineered Fastening o dai tecnici dei nostri centri di assistenza non sono coperti dalla presente garanzia.

Tutte le altre garanzie, espresse o implicite, inclusa qualsiasi garanzia di commerciabilità o idoneità a un particolare scopo, sono escluse.

Qualora questo utensile non soddisfi i requisiti sanciti dalla presente garanzia, restituirlo immediatamente al nostro centro di assistenza autorizzato più vicino. Per ricevere un elenco dei Centri di Assistenza POP® Avdel® autorizzati negli Stati Uniti o in Canada, chiamate il nostro numero verde (877)364 2781.

Al di fuori degli Stati Uniti e del Canada, visitare il nostro sito web **[www.StanleyEngineeredFastening.com](http://www.StanleyEngineeredFastening.com)** per trovare il centro STANLEY Engineered Fastening più vicino.

STANLEY Engineered Fastening provvederà a sostituire, senza alcun costo, la parte o le parti da noi individuate come difettose a causa di difetti del materiale di fabbricazione e restituirà l'attrezzo prepagato. Questo costituisce l'unico obbligo da parte nostra ai sensi della presente garanzia.

In nessun caso STANLEY Engineered Fastening sarà ritenuta responsabile per eventuali danni consequenziali o speciali derivanti dall'acquisto o dall'uso di questo attrezzo.

### 7.2 REGISTRAZIONE ONLINE DELLA RIVETTATRICE PER RIVETTI A STRAPPO

Per registrare la garanzia online, visitate la pagina

<http://www.stanleyengineeredfastening.com/popavdel-power tools/warranty-card>.

Grazie per aver scelto un utensile a marchio POP® Avdel® di STANLEY Engineered Fastening.





©2017 Stanley Black & Decker inc.

Alle rechten voorbehouden.

De verstrekte informatie mag niet worden gereproduceerd en/of openbaar gemaakt, op welke wijze en met welke middelen dan ook (elektronisch of mechanisch), zonder voorafgaande uitdrukkelijke en schriftelijke toestemming van STANLEY Engineered Fastening. De verstrekte informatie is gebaseerd op de gegevens die bekend waren op het moment van het verschijnen van dit product. STANLEY Engineered Fastening voert een beleid van continue productverbetering, wijzigingen van producten zijn derhalve voorbehouden. De verstrekte informatie is geldig voor het product zoals dit door STANLEY Engineered Fastening is geleverd. STANLEY Engineered Fastening kan derhalve niet aansprakelijk worden gesteld voor eventuele schade voortvloeiend uit afwijkingen van de oorspronkelijke specificaties van het product.

De beschikbare informatie is met alle mogelijke zorg samengesteld. STANLEY Engineered Fastening kan niet aansprakelijk worden gesteld voor eventuele fouten in de informatie of voor de gevolgen daarvan. STANLEY Engineered Fastening kan niet aansprakelijk gesteld worden voor schade voortvloeiend uit werkzaamheden die door derden zijn uitgevoerd. De door STANLEY Engineered Fastening gebruikte gebruiksnamen, handelsnamen, geregistreerde handelsmerken, etc. mogen krachtens de wetgeving inzake de bescherming van handelsmerken niet als vrij worden beschouwd.

## INHOUD

<b>1.</b>	<b>VEILIGHEIDSVOORSCHRIFTEN .....</b>	<b>2</b>
1.1	ALGEMENE VEILIGHEIDSVOORSCHRIFTEN .....	2
1.2	RISICO'S OP PROJECTIELEN .....	3
1.3	OPERATIONELE RISICO'S .....	3
1.4	GEVAREN BIJ HERHAALDE BEWEGINGEN .....	3
1.5	GEVAREN BIJ GEBRUIK VAN ACCESSOIRES .....	3
1.6	GEVAREN OP DE WERKPLEK .....	4
1.7	GEVAAR VAN LAWAAI .....	4
1.8	GEVAAR VAN TRILLINGEN .....	4
1.9	AANVULLENDE VEILIGHEIDSI NSTRUCTIES VOOR PNEUMATISCH ELEKTRISCH GEREEDSCHAP .....	4
<b>2.</b>	<b>SPECIFICATIES .....</b>	<b>5</b>
2,1.	GEREEDSCHAP SPECIFICATIES .....	5
2.2	PLAATSING-SPECIFICATIES .....	6
2.3	INHOUD VAN DE VERPAKKING .....	7
2.4	LIJST VAN BELANGRIJKSTE COMPONENTEN .....	7
2.5	STANDAARD NEUSSTUK UITRUSTING .....	7
<b>3.</b>	<b>GEREEDSCHAP SET-UP .....</b>	<b>8</b>
3.1	NEUSSTUK UITRUSTING (Zie afb. 2) .....	8
3.2	LUCHTTOEVOER (Zie afb. 3) .....	8
3.3	WERKINGSPRINCIPE .....	9
<b>4.</b>	<b>BEDIENINGSINSTRUCTIE .....</b>	<b>10</b>
4.1	BEDIENING VAN HET GEREEDSCHAP (Zie afb. 1, 4, 5, 6) .....	10
4.2	DE RESTNAGEL-OPVANGBAK LEGEN (Zie afb. 1) .....	10
<b>5.</b>	<b>ONDERHOUD AAN HET GEREEDSCHAP .....</b>	<b>11</b>
5.1	ONDERHOUDSSHEMA .....	11
5.2	NEUSSTUKKEN .....	11
5.3	DAGELIJKS ONDERHOUD .....	11
5.4	WEKELIJKS ONDERHOUD .....	11
5.5	HET MILIEU BESCHERMEN .....	11
<b>6.</b>	<b>EG-CONFORMITEITSVERKLARING .....</b>	<b>12</b>
<b>7.</b>	<b>BESCHERM UW INVESTERING! .....</b>	<b>13</b>
7.1	POP® AVDEL® BLINDKLINGEREEDSCHAP GARANTIE .....	13
7.2	REGISTREER UW BLINDKLINGEREEDSCHAP ONLINE .....	13



Deze gebruiksaanwijzing moet worden gelezen door alle personen die dit gereedschap installeren of gebruiken, met bijzondere aandacht voor de volgende veiligheidsvoorschriften.



Draag altijd slagvaste oogbescherming als met het gereedschap wordt gewerkt. Het niveau van bescherming dient vóór elk gebruik beoordeeld te worden.



Gebruik gehoorbescherming in overeenstemming met de voorschriften van de werkgever en zoals vereist door de regelgeving op het gebied van gezondheid en veiligheid op de werkplek.



Het gebruik van het gereedschap kan de handen van de gebruiker blootstellen aan risico's zoals beklemd raken, snij- en schaafwonden, stoten en hitte. Draag geschikte handschoenen voor het beschermen van de handen.

## 1. VEILIGHEIDSVOORSCHRIFTEN

De onderstaande voorschriften beschrijven het veiligheidsniveau voor ieder signaleringswoord. Lees de gebruiksaanwijzing door en let vooral op deze symbolen.



**GEVAAR:** Geeft een dreigend gevaar aan dat, als dit niet wordt voorkomen, leidt tot een ongeval met dodelijke afloop of tot ernstig letsel.



**WAARSCHUWING:** Geeft een mogelijk gevaar aan dat, indien dit niet wordt voorkomen, kan leiden tot de dood of ernstig letsel.



**LET OP:** Geeft een mogelijk gevaarlijke situatie aan die, als deze niet wordt voorkomen, zou dit kunnen leiden tot gering of matig letsel.

**LET OP:** Gebruikt zonder het waarschuwingssymbool geeft dit een mogelijk gevaarlijke situatie aan die, indien dit niet wordt voorkomen, zou kunnen leiden tot eigendomsschade.

**Verkeerd gebruik of onderhoud van dit apparaat kan leiden tot ernstig letsel en materiële schade.**

**Lees en begrijp alle waarschuwingen en bedieningsinstructies voordat u dit gereedschap gebruikt. Wanneer u elektrisch gereedschap gebruikt, moet u altijd de elementaire veiligheidsmaatregelen in acht nemen zodat het risico op persoonlijk letsel wordt beperkt.**

### BEWAAR ALLE WAARSCHUWINGEN EN INSTRUCTIES ALS TOEKOMSTIG REFERENTIEMATERIAAL

#### 1.1 ALGEMENE VEILIGHEIDSVOORSCHRIFTEN

- Ter voorkoming van gevaar dient u de veiligheidsvoorschriften te lezen en te begrijpen voordat het gereedschap wordt geïnstalleerd, gebruikt, gerepareerd, onderhouden of accessoires worden vervangen, dit is tevens van toepassing voor het werken in de buurt van het gereedschap. Het niet opvolgen van deze instructies kan tot ernstige lichamelijke verwondingen leiden.
- Uitsluitend gekwalificeerde en geschoolde gebruikers mogen dit gereedschap installeren, aanpassen en/of gebruiken.
- Niet voor andere doeleinden gebruiken dan het plaatsen van STANLEY Engineered Fastening Blindklinknagels.
- Gebruik alleen onderdelen, blindklinknagels en accessoires die door de fabrikant worden aanbevolen.
- Het gereedschap NIET aanpassen. Aanpassingen kunnen de effectiviteit van de veiligheidsmaatregelen verlagen en het risico voor de gebruiker verhogen. Een door de klant uitgevoerde wijziging van het gereedschap is uitsluitend en volledig de verantwoordelijkheid van de klant, als gevolg waarvan de garantie vervalt.
- Gooi de veiligheidsvoorschriften niet weg, overhandig deze aan de gebruiker.
- Gebruik het gereedschap NIET als het beschadigd is.
- Controleer het gereedschap voor gebruik op onjuiste uitlijning en het aanlopen van bewegende onderdelen, kapotte onderdelen en andere omstandigheden die de werking van het gereedschap nadelig kunnen beïnvloeden. Laat het gereedschap, als het is beschadigd, repareren, voordat u het weer gebruikt. Verwijder voor gebruik alle inbussleutels of steeksleutels.
- Gereedschappen dienen periodiek geïnspecteerd te worden, om te verifiëren dat de classificaties en markeringen zoals vereist door dit deel van ISO 11148 goed leesbaar zijn op het gereedschap. Indien nodig, dient de werkgever/gebruiker contact op te nemen met de fabrikant voor het verkrijgen van vervangende etiketten resp. labels.
- Het gereedschap moet te allen tijde in een veilige omgeving onderhouden worden en regelmatig door getraind personeel worden gecontroleerd op schade en juiste werking. Demontage-werkzaamheden moeten altijd door getraind personeel worden uitgevoerd. Demonteer het gereedschap niet zonder eerst de onderhoudsinstructies te raadplegen.

## 1.2 RISICO'S OP PROJECTIELEN

- Neem, voor u onderhoud uitvoert of het neusstuk aanpast, plaatst of verwijdert, de luchtslang los van het gereedschap.
- Wees alert op het feit dat een defect of storing van het werkstuk of de accessoires, of zelfs van het geplaatste gereedschap zelf, projectielen met een hoge snelheid kunnen genereren.
- Draag altijd slagvaste oogbescherming als u het gereedschap gebruikt. Het niveau van bescherming dient vóór elk gebruik beoordeeld te worden.
- Op datzelfde moment dient ook het risico voor derden beoordeeld te worden.
- Controleer of het werkstuk veilig en goed werd bevestigd.
- Controleer of de bescherming tegen het uitwerpen van een blindklinknagel en/of nagel op de juiste wijze is bevestigd en goed functioneert.
- Gebruik het gereedschap NIET zonder de restnagel-opvangbak.
- Waarschuw voor het mogelijke uitschieten van nagels vanuit de voorzijde van het gereedschap.
- Bedien GEEN gereedschap dat op personen is gericht.

## 1.3 OPERATIONELE RISICO'S

- Het gebruik van het gereedschap kan de handen van de gebruiker blootstellen aan risico's zoals beklemd raken, snij- en schaafwonden, stoten en hitte. Draag geschikte handschoenen voor het beschermen van de handen.
- Gebruikers en onderhoudspersoneel moeten fysiek in staat zijn om het gewicht en de kracht van het gereedschap te kunnen hanteren.
- Het gereedschap dient op de juiste manier vastgehouden te worden; de gebruiker dient gereed te zijn om normale of plotselinge bewegingen te neutraliseren en de gebruiker dient beide handen ter beschikking te hebben.
- Houd de handgreep droog, schoon en vrij van olie en vet.
- Zorg voor een evenwichtige stand van het lichaam en een stabiele stand van de voeten tijdens het werken met het gereedschap.
- Sluit de luchttoevoer af als er een onderbreking is van de luchttoevoer.
- Gebruik uitsluitend smeermiddelen die door de fabrikant worden aanbevolen.
- Vermijd contact met hydraulische vloeistoffen. Voorkom uitslag van de huid, bij contact dient u zich zorgvuldig te wassen.
- Gegevens over materiaalveiligheid voor alle hydraulische oliën en smeermiddelen zijn op aanvraag verkrijgbaar bij de leverancier van het gereedschap.
- Voorkom ongeschikte houdingen, omdat het waarschijnlijk is dat het in dergelijke houdingen niet mogelijk is om normale en/of onverwachte bewegingen van het gereedschap te neutraliseren.
- Als het gereedschap is bevestigd aan een ophangelement, controleer dan of de ophanging veilig is.
- Wees alert op pletgevaar als het neusstuk niet is aangebracht.
- Gebruik het gereedschap NIET zonder de neushouder.
- Er is voldoende ruimte nodig voor de handen van de gebruiker.
- Houd uw handen uit de buurt van de bedieningsschakelaar als u het gereedschap verplaatst om incidenteel opstarten te voorkomen.
- Misbruik het gereedschap niet, bijvoorbeeld als hamer, laat het niet vallen.
- Let er op dat de restnagels geen gevaarlijke situatie veroorzaken.
- De restnagel-opvangbak moet worden geleegd indien deze ongeveer halfvol is.

## 1.4 GEVAREN BIJ HERHAALDE BEWEGINGEN

- Tijdens het hanteren van het gereedschap kan de gebruiker een onaangenaam gevoel ervaren in de handen, armen, schouders, nek of andere delen van het lichaam.
- Bij het hanteren van het gereedschap moet de gebruiker een comfortabele houding aannemen, terwijl tegelijkertijd een goede en veilige stand van de voeten wordt behouden en een ongemakkelijke en/of evenwichtige houding wordt voorkomen. Bij langdurige werkzaamheden moet de gebruiker van houding veranderen; hierdoor kan een onaangenaam gevoel en vermoeidheid worden voorkomen.
- Als de gebruiker symptomen ervaart zoals een aanhoudend onaangenaam gevoel, pijn, kloppend gevoel, tintelingen, gevoelloosheid, branderig gevoel of stijfheid, dienen deze waarschuwingssignalen niet genegeerd te worden. De gebruiker moet de werkgever informeren en contact opnemen met een arts.

## 1.5 GEVAREN BIJ GEBRUIK VAN ACCESSOIRES

- Koppel het gereedschap los van de luchttoevoer voordat u het neusstuk of accessoire monteert of verwijdert.
- Gebruik uitsluitend de formaten en de accessoires en verbruiksartikelen die door de fabrikant van het gereedschap worden aanbevolen; gebruik geen andere formaten en soorten van de accessoires en verbruiksartikelen.

### **1.6 GEVAREN OP DE WERKPLEK**

- Uitglijden, struikelen en vallen zijn de belangrijkste oorzaken van verwondingen op de werkplek. Wees alert op door het gereedschap veroorzaakte gladde oppervlakken en let ook op risico's op het struikelen, veroorzaakt door de luchtslang of de hydraulische slang.
- Ga voorzichtig te werk in onbekende omgevingen. Hier kunnen verborgen risico's aanwezig zijn, zoals stroomkabels of andere kabels van andere nutsvoorzieningen.
- Het gereedschap is niet bedoeld voor gebruik in potentieel explosieve omgevingen en is niet geïsoleerd tegen contact met elektriciteit.
- Controleer of er stroomkabels, gasleidingen, enz. aanwezig zijn die beschadigd kunnen worden als gevolg van het gebruik van het gereedschap.
- Draag de juiste kleding. Draag geen loszittende kleding of sieraden. Houd uw haar, kleding en handschoenen weg bij bewegende onderdelen. Loszittende kleding, sieraden of lang haar kunnen door bewegende delen worden gegrepen.
- Let er op dat de restnagels geen gevaarlijke situatie veroorzaken.

### **1.7 GEVAAR VAN LAWAAI**

- Blootstelling aan hoge geluidsniveaus kan permanent gehoorverlies en andere problemen veroorzaken, zoals tinnitus of teweel oorsuizen (een rinkelend, zoemend, brommend of fluitend geluid in de oren). Daarom is een risicobeoordeling en het gebruik van de daarvoor geschikte controles voor deze risico's van groot belang.
- Geschikte controles voor het verlagen van de risico's omvatten o.a. het gebruik van geluidsdempende materialen om te voorkomen dat werkstukken 'rinkelen'.
- Gebruik gehoorbescherming in overeenstemming met de voorschriften van de werkgever en zoals vereist door de regelgeving op het gebied van gezondheid en veiligheid op de werkplek.
- Bedien en onderhoud het gereedschap zoals is aanbevolen in de gebruikershandleiding, zodat het onnodig verhogen van het geluidsniveau wordt voorkomen.
- Zorg ervoor dat de geluiddemper in de restnagel-opvangbak op zijn plaats zit en in goede staat verkeert als het gereedschap wordt bediend.

### **1.8 GEVAAR VAN TRILLINGEN**

- Blootstelling aan trillingen kan beschadigingen van de zenuwen en de bloedsomloop van handen en armen veroorzaken.
- Draag warme kleding bij het werken in koude omstandigheden en zorg dat uw handen droog en warm blijven.
- Als u gevoelloosheid, tintelingen, pijn of het wit worden van de huid van vingers of handen ervaart, dient u te stoppen met het gebruik van het gereedschap, uw werkgever te informeren en een arts te raadplegen.
- Ondersteun, indien mogelijk, het gewicht van het gereedschap door het in een standaard, spaninrichting of balancerapparaat te plaatsen, omdat op deze manier minder kracht voor de ondersteuning van het gereedschap nodig is.

### **1.9 AANVULLENDE VEILIGHEIDSINSTRUCTIES VOOR PNEUMATISCH ELEKTRISCH GEREEDSCHAP**

- De werkdruk mag niet hoger zijn dan 7 bar (100 PSI).
- Lucht die onder druk staat kan ernstige verwondingen veroorzaken.
- Laat het gereedschap nooit zonder toezicht liggen. Verwijder de luchtslang als het gereedschap niet wordt gebruikt, voordat accessoires worden vervangen of voor het uitvoeren van reparaties.
- Richt de luchtafvoer van de restnagel-opvangbak NIET op uzelf of andere personen. Richt nooit lucht op uzelf of iemand anders.
- Slangen die slaande bewegingen maken, kunnen ernstige verwondingen veroorzaken. Controleer altijd op beschadigde of losse slangen en koppelingen.
- Controleer voor gebruik de luchttoevoer op beschadigingen en let erop dat alle aansluitingen stevig vastzitten. Laat geen zware voorwerpen op de slangen vallen. Een scherp voorwerp kan interne schade veroorzaken en de levensduur van de slang verkorten.
- Koude lucht moet van handen worden weggeleid.
- Als universele gedraaide koppelingen (klauwverbindingen) worden gebruikt, dienen borgpennen en een veiligheidskabel (whipcheck) geplaatst te worden om te beveiligen tegen mogelijke defecten van slanggereedschap-verbindingen of slang-slang-verbindingen.
- Til het gereedschap NIET op aan de slang. Gebruik altijd de handgreep van het gereedschap.
- Ventilatieopeningen mogen niet worden geblokkeerd of afgedekt.
- Houd stof en vuil uit het hydraulische systeem van het gereedschap omdat dit een storing kan veroorzaken.

**STANLEY Engineered Fastening voert een beleid van constante productontwikkeling en productverbetering, en behouden ons het recht voor de specificaties van onze producten te wijzigen zonder voorafgaande kennisgeving.**

## 2. SPECIFICATIES

De ProSet® XT3 & XT4 zijn hydropneumatische gereedschappen, ontworpen om Stanley Engineered Fastening blindklinknagels op hoge snelheid te plaatsen. De gereedschappen zijn voorzien van een vacuümsysteem voor het vasthouden van klinknagels en een probleemloze verzameling van de gebruikte nagels, ongeacht de werkrichting van het gereedschap.

In combinatie met het juiste neusstuk kunnen met de ProSet® XT3 & XT4 blindklinknagels van Ø 4,0 mm tot Ø 6,4 mm worden gebruikt. Raadpleeg de tabel op pagina 10 voor een lijst van alle blindklinknagels die kunnen worden gebruikt.

De veiligheidsinstructies op de pagina's 2 en 4 moeten te allen tijde worden opgevolgd.

**NIET GEBRUIKEN** bij natte omstandigheden of in de aanwezigheid van ontvlambare vloeistoffen of gassen.

### 2.1. GEREEDSCHAP SPECIFICATIES

	XT3		XT4	
<b>Trekkracht:</b> @ 5,5 bar	17,0 kN	3822 lbf	23,0 kN	5193 lbf
<b>Vereiste werkdruk:</b> Min. tot Max.	5,0 - 7,0 bar	72,5 - 101,5 lbf/in <sup>2</sup>	5,0 - 7,0 bar	72,5 - 101,5 lbf/in <sup>2</sup>
<b>Oliedruk:</b> Trekken @ 5,5 bar	290 bar	4206 lbf/in <sup>2</sup>	395 bar	5729 lbf/in <sup>2</sup>
<b>Slag:</b> Minimum zuigerslag	26,0 mm	1,02 in.	18,0 mm	0,91 in.
<b>Gewicht:</b> Inclusief neusstuk	2,24 kg	4,94 lb	2,26 kg	4,98 lb
<b>Gewicht:</b> zonder neusstuk	2,00 kg	4,41 lb	2,02 kg	4,41 lb
<b>Luchtstroom:</b> @ 5,5 bar	6,3 ltr	384,4 in <sup>3</sup>	6,3 ltr	384,4 in <sup>3</sup>
<b>Cyclustijd:</b> Ongeveer	0,9 seconden		1,0 seconden	

<b>Geluidsmeting bepaald op basis van de test voor de specifieke normen geluidsmeting machines, testcode ISO 15744 en ISO 3744.</b>		XT3	XT4
A-gewogen geluidsniveau dB(A), $L_{WA}$	Onzekerheid geluidsniveau: $k_{WA} = 3.0$ dB(A)	90,3 dB(A)	89,7 dB(A)
A-gewogen uitgestraalde geluidsniveau bij het werkstation dB(A), $L_{pA}$	Onzekerheid geluidsniveau: $k_{pA} = 3.0$ dB(A)	79,3 dB(A)	78,7 dB(A)
C-gewogen piekgeluidsdruk niveau dB(C), $L_{pC}$ piek	Onzekerheid geluidsniveau: $k_{pC} = 3.0$ dB(C)	82,7 dB(C)	81,5 dB(A)

<b>Trillingswaarden bepaald op basis van de test voor de specifieke normen geluidsmeting machines, testcode ISO 20643 en ISO 5349.</b>		XT3	XT4
Niveau van de trillingsemisatie, $a_{hd}$ :		1,41 m/s <sup>2</sup>	1,80 m/s <sup>2</sup>
Onzekerheidscoëfficiënt trilling: k		0,70 m/s <sup>2</sup>	0,90 m/s <sup>2</sup>
Genoemde trillingswaarden in overeenkomst met EN 12096			

**2.2 PLAATSIING-SPECIFICATIES**

Type blindklinknagel	Blindklinknagel mm [inch]										
	4 [5/32]	4,3	4,8 [3/16]	6	6,4 [1/4]	7	8	9	10	11	12
Open	●*		●**		●						
Gesloten	●*		●**		●						
HR	●*		●		●						
HS					● (3)						
Multi-Grip	●*		●**		●						
TL	●*		●								
T-blindklinknagel (Emhart)	●*		●		●						
Zelfborend	●*		●		●						
Ultra Grip (UG) (NPR)					⊗ (3)						
CD					● (3)						
Avex <sup>®</sup>	● (2)		● (2)		● (2)						
Stavex <sup>®</sup>	● (2)		● (2)		● (1)(3)						
Avinox <sup>®</sup> / Avibulb <sup>®</sup>	● (2)		● (2)	● (2)							
Avinox <sup>®</sup> XT / Avibulb <sup>®</sup> XT					● (1)(3)						
LSR/Bulbex <sup>®</sup>	● (2)		● (2)								
T-Lok <sup>®</sup>		● (2)	● (2)								
Avdel <sup>®</sup> SR	● (2)		● (2)		● (2)						
Hemlok <sup>®</sup>					● (1)(3)						
Interlock <sup>®</sup>			⊗ (2)		⊗ (1)(3)						
Maxlok <sup>®</sup>			● (3)		Ⓞ (3)						
Monobolt <sup>®</sup>			⊗ (1)(2)		⊗ (1)(3)						
Avtainer <sup>®</sup>									Ⓞ (1)(3)		
Avseal <sup>®</sup> (STD)				● (1)(3)		● (1)(3)	● (1)(3)	● (1)(3)	Ⓞ (1)(3)		
Avseal <sup>®</sup> (Lage luchtdruk)							● (1)(3)	● (1)(3)	● (1)(3)	Ⓞ (1)(3)	Ⓞ (1)(3)
Q-blindklinknagel	● (2)		● (2)		● (2)						
T-blindklinknagel (Avdel)			● (1)(2)		● (1)(2)						
Avdelmate <sup>®</sup>			● (2)		● (2)						
Klamp-Tite <sup>®</sup> BAPK			⊗ (2)		⊗ (2)						
Klamp-Tite <sup>®</sup> BAPKTR			⊗ (1)(2)		⊗ (1)(2)						
Avdelok <sup>®</sup>			● (3)		Ⓞ (3)						

\* Gebruik PRG540-46 spanbekken en de FAN276-064 spanbekduwer

\*\* Gebruik PRG540-46 spanbekken.

● Is beschikbaar voor zowel XT3 als XT4 gereedschap (1) Op maat gemaakt neusstuk vereist

⊗ Is alleen beschikbaar voor XT3 gereedschap (2) Alternatief type neusstuk beschikbaar

Ⓞ Alleen beschikbaar voor XT4 gereedschap (3) Op maat gemaakt neusstuk vereist.

Raadpleeg de ProSet® handleiding voor de neusstuk-uitrusting 07900-09414 voor een volledige lijst van geschikte neusstuk-uitrustingen voor elk type blindklinknagel en instructies voor de montage en onderhoud ervan

### 2.3 INHOUD VAN DE VERPAKKING

- 1 ProSet® XT3 of XT4 blindklink-gereedschap.
- 1 set standaard neusstuk uitrusting & neusstukken voor 4,8mm [3/16"] en 6,4mm [1/4"] blindklinknagels.
- 1 Instructiehandleiding – afhankelijk van de regio.

### 2.4 LIJST VAN BELANGRIJKSTE COMPONENTEN

Raadpleeg afbeelding 1 & 2 en de onderstaande tabel.

Onderdeel	Onderdeelnummer	Beschrijving	Aantal
1	76003-15000*	Standaard neusstuk	1
2	76003-02022	Ophanghaak	1
3	76003-05200	Restnagel-opvangbak	1
4	07001-00405	Olieplug	1
5	07003-00194	Afsluiting	1
6	76003-02008	Schakelaar	1
7	76003-03700	Aan/Uit-ventiel	1
8	71210-02103	Borgmoer	1

### 2.5 STANDAARD NEUSSTUK UITRUSTING

Raadpleeg afbeelding 2 en de onderstaande tabel.

Onderdeel	Onderdeelnummer	Beschrijving	Aantal
1c	PRN614	Neusstuk - 4,8mm [3/16"] (Gemonteerd)	1
1d	PRN811	Neusstuk - 6,4mm [1/4"]	1
1e	76003-15001	Neushouder	1
1f	07003-00067	O-ring	1
1g	DPN276-001	Spanbekgeleider	1
1h	PRG540-44	Spanbek	1 Set
1i	DPN276-006	Spanbekduwer	1
1j	DPN900-060	O-ring	1
1k	DPN901-019	Veer spanbekduwer	1
1l	76003-15002	Trekkop	1
1m	76003-15004	Spanbekgeleider vergrendeling	1
1n	DPN901-020	Veer	1
1o	76003-15003	Trekkop adapter	1
1p	07003-00277	O-ring	1

Raadpleeg de handleiding ProSet® Neusstuk 07900-09414 voor extra neusstukken, of kijk op [www.stanleyengineeredfastening.com/resource-center/document-library](http://www.stanleyengineeredfastening.com/resource-center/document-library)

Raadpleeg de handleiding ProSet Accessoires 07900-09415 voor een volledige lijst van accessoires voor het gereedschap.

\* Neusstuk-uitrusting niet meegeleverd met de Proset XT3 Startset (76003-01000) en de Proset XT4 Startset (76004-01000).



### 3. GEREEDSCHAP SET-UP

**BELANGRIJK - LEES ZORGVULDIG DE VEILIGHEIDSVORSCHRIFTEN OP PAGINA 6 & 8 VOOR U HET GEREEDSCHAP IN GEBRUIK NEEMT.**

**BELANGRIJK - DE LUCHTTOEVOER MOET WORDEN UITGESCHAKELD OF LOSGEKOPPELD VOORDAT HET NEUSSTUK WORDT GEPLAATST OF VERWIJDERD.**

#### 3.1 NEUSSTUK UITRUSTING (Zie afb. 2)

Vetgedrukte artikelnummers verwijzen naar de onderdelen in afbeelding 1 & 2 en de tabellen op pagina 11. Het volledige gereedschap wordt geleverd met een gemonteerd neusstuk voor 4,8mm [3/16"] blindklinknagels. Een extra neusstuk voor 6,4mm [1/4"] blindklinknagels is apart verkrijgbaar.

#### Het neusstuk monteren

- De luchttoevoer moet worden losgekoppeld.
- Kies het juiste neusstuk voor de blindklinknagel die u wilt bevestigen.
- Verwijder de neushouder (**1e**), inclusief het neusstuk (**1a, b, c, of d**), en de O-ring (**1f**)
- Verwijder het neusstuk (**1a, b, c of d**) van de neushouder (**1e**)
- Kies het neusstuk van het juiste formaat en ga voor de montage in omgekeerde volgorde te werk.

#### De volledige neusstuk verwijderen.

- De luchttoevoer moet worden losgekoppeld.
- Verwijder de neushouder (**1e**), inclusief het neusstuk (**1a, b, c of d**), en de O-ring (**1f**) van het gereedschap.
- Trek de vergrendeling van de spanbekgeleider (**1m**) tegen de veer (**1n**) en verwijder de spanbekgeleider (**1g**).
- Verwijder de spanbek (**1h**) uit de spanbekgeleider (**1g**).
- Verwijder de spanbekduwer (**1i**), O-ring (**1j**), en spanbekduwer-veer (**1k**) uit de trekkop (**1l**).
- Verwijder de trekkop (**1q**) van de zuiger met een steeksleutel

#### Het volledige neusstuk monteren

- De luchtaanvoer moet worden losgekoppeld
- Alle versleten of beschadigde onderdelen moeten worden vervangen.
- Reinig de spanbek (**1h**) en controleer deze op slijtage.
- Controleer dat de spanbekduwer (**1i**) en de spanbekduwer-veer (**k**) niet zijn vervormd.
- Smeer de spanbek (**1h**) licht in met moly lithiumvet.
- Plaats de spanbek (**1h**) in de spanbekgeleider (**1g**).
- Plaats de spanbekduwer (**1i**) en de O-ring (**1j**) in de trekkop (**1l**).
- Trek de vergrendeling van de spanbek (**1m**) terug en schroef de spanbekgeleider (**1g**) volledig op de trekkop (**1l**).
- Maak de vergrendeling van de spanbek (**1m**) los en schroef dan de spanbekgeleider (**1g**) gedeeltelijk los tot de tand van de vergrendeling van de spanbekgeleider (**1m**) vastklikt in de volgende sleuf van de spanbekgeleider (**1g**).
- Plaats de neushouder (**1e**) over de spanbekgeleider (**1g**) en draai deze volledig op het gereedschap.

Neusstukken moeten wekelijks worden nagezien. U kunt het beste een voorraad aanhouden van alle interne onderdelen van de neusstukken, omdat deze regelmatig moeten worden vervangen.

#### 3.2 LUCHTTOEVOER (Zie afb. 3)

Onderdelen

- A. Afsluitkraan (gebruikt tijdens dagelijks onderhoud of onderhoud aan het filter of gesmeerde onderdelen)
  - B. Drukregelaar en filter (dagelijks aftappen)
  - C. Hoofdtoevoer aftappunt
  - D. Aansluitpunt voor hoofdtoevoer
- Alle gereedschappen werken op perslucht, bij een minimale druk van 5,0 bar.
  - Drukregelaars en automatische olie/filter systemen kunnen worden gebruikt op de luchttoevoer binnen 3 meter van het gereedschap (zie afb. 3).

- Luchtslangen hebben een minimale effectieve werkdruk van 150% van de maximale druk die in het systeem wordt geproduceerd of 10 bar, de hoogste van de twee.
- Luchtslangen moeten oliebestendig zijn, een slijtvaste buitenzijde hebben en gewapend zijn als de kans bestaat dat de slang beschadigt als gevolg van de bedrijfsomstandigheden.
- Alle luchtslangen MOETEN een minimale diameter hebben van 6,4 millimeter.
- Controleer op olie lekkages. Beschadigde slangen en koppelingen moeten worden vervangen door nieuwe onderdelen.
- Als er geen filter op de drukregelaar zit, moet u de luchttoevoer ontlichten en zo opgehoopt vuil of water verwijderen, voordat u de luchtslang aansluit op het gereedschap.

### 3.3 WERKINGSPRINCIPE

**LET OP - DE JUISTE AANVOERDRUK IS BELANGRIJK VOOR EEN GOEDE WERKING VAN HET GEREEDSCHAP. VERKEERDE DRUK KAN LEIDEN TOT PERSOONLIJK LETSEL OF BESCHADIGING VAN HET GEREEDSCHAP. DE AANVOERDRUK MAG NIET HOGER ZIJN DAN DE DRUK DIE GENOEMD BIJ DE SPECIFICATIES VOOR HET PLAATSEN VAN HET GEREEDSCHAP**

Vetgedrukte artikelnummers verwijzen naar de onderdelen in afbeelding 1 & 2 en de tabellen op pagina 11.

Wanneer de luchtslang op het gereedschap is aangesloten, kan de cyclus van het aantrekken en van het terugtrekken van het gereedschap worden uitgevoerd door de schakelaar (6) in de handgreep in te drukken en los te laten.

- De luchttoevoer is niet aangesloten.
- Sluit het juiste neusstuk aan zoals wordt beschreven op pagina 10 & 12.
- Sluit de pneumatische slang aan op het aan/uit-ventiel (7).
- Sluit de luchtslang aan op de luchttoevoer.
- Schakel de luchttoevoer van het gereedschap in door het aan/uit-ventiel (7) in de aan positie te schuiven.
- Het gereedschap is nu voorzien van lucht en het afzuigsysteem treed in werking.
- Duw een aantal keer op de schakelaar (6) om de volledige slag van het gereedschap te controleren. Observeer de werking van het gereedschap. Controleer het gereedschap op vloeistof- en/of luchtlekkages.

## 4. BEDIENINGSINSTRUCTIE

### 4.1 BEDIENING VAN HET GEREEDSCHAP (Zie afb. 1, 4, 5, 6)

#### Een blindklinknagel plaatsen

- Controleer dat de restnagel-opvangbak (3) is bevestigd.
- Plaats een blindklinknagel in het neusstuk (1a, b c of d). Het vacuümsysteem houdt de nagel in het neusstuk.
- Plaats het gereedschap.
- Controleer dat het neusstuk haaks (90°) op het werkstuk staat.
- Druk op de schakelaar (6) en houd deze vast tot de blindklinknagel goed vastzit in de applicatie.
- Laat de schakelaar (6) los wanneer de blindklinknagel volledig gezet is. Het gereedschap schakelt zelf terug naar de beginstand. De restnagel valt automatisch in de restnagel opvangbak (3) door het afzuigstelsel.
- De restnagel opvangbak moet worden geleegd voordat deze halfvol is.

**LET OP –FORCEER NOOIT DE PLAATSING VAN EEN BLINDKLINKNAGEL. DIT KAN HET GEREEDSCHAP EN/ OF HET WERKSTUK BESCHADIGEN.**

### 4.2 DE RESTNAGEL-OPVANGBAK LEGEN (Zie afb. 1)

#### LET OP - GEBRUIK HET GEREEDSCHAP NOOIT WANNEER DE RESTNAGEL-OPVANGBAK IS VERWIJDERD

- Het gereedschap is uitgerust met een restnagelopvangbak (3) met snelsluiting.
- U kunt de restnagelopvangbak losnemen of plaatsen door deze 60° te draaien.
- Het gereedschap schakelt automatisch het afzuigstelsel en het restnagelverwijderingssysteem uit zodra de restnagelopvangbak (3) wordt verwijderd.
- Zodra de restnagel-opvangbak weer wordt geplaatst wordt het vacuümsysteem weer ingeschakeld.

## 5. ONDERHOUD AAN HET GEREEDSCHAP

### 5.1 ONDERHOUDSSHEMA

Regelmatig onderhoud moet worden uitgevoerd door getraind personeel en een uitgebreide inspectie moet jaarlijks worden uitgevoerd, of na elke 500.000 cycli.



ONTKOPPEL DE LUCHTTOEVOER



**LET OP** - Gebruik nooit oplosmiddelen of andere ruwe chemicaliën voor het reinigen van de niet-metalen onderdelen van het gereedschap.

*Deze chemicaliën kunnen de materialen die in deze onderdelen gebruikt worden, verzwakken.*

### 5.2 NEUSSTUKKEN

Neusstukken moeten wekelijks worden onderhouden of steeds na 5.000 cycli. U kunt het beste een voorraad aanhouden van alle interne onderdelen van de neusstukken, omdat zij regelmatig moeten worden vervangen.

- Koppel de luchttoevoer los
- Verwijder het volledige neusstuk volgens de procedure die wordt beschreven in hoofdstuk 3.1.
- Inspecteer alle componenten. Alle versleten of beschadigde onderdelen moeten door nieuwe onderdelen worden vervangen.
- Controleer in het bijzonder de spanbek (**1h**) op slijtage.
- Reinig alle onderdelen en smeer moly lithiumvet (07992-00020) op de spanbek (**1h**) en het conische verloop van de spanbekgeleider (**1g**).
- Assembleer het gereedschap daarna weer volgens de instructies van hoofdstuk 3.1.

### 5.3 DAGELIJKS ONDERHOUD

- Controleer het gereedschap, de slang en de koppelingen voor gebruik op lucht- en olie lekkages. Stel, als u beschadigingen ziet, het gereedschap buiten gebruik en vervang de beschadigde onderdelen door nieuwe.
- Als er geen filter op de drukregelaar zit, moet u de luchttoevoer ontlichten zodat opgehoopt vuil of water worden verwijderd, voordat u de luchtslang op het gereedschap aansluit. Als er geen filter op de slang zit, moet u dus lang aftappen.
- Controleer dat het neusstuk (**1**) geschikt is voor de blindklinknagel die moet worden geplaatst en dat het neusstuk goed is gemonteerd.
- Controleer dat de slag van het gereedschap voldoet aan de minimum specificaties (zie 2.1).
- De restnagel-opvangbak (**3**) moet op het gereedschap zijn gemonteerd.
- Controleer dat de luchtkamer volledig vastzit op de behuizing van het gereedschap.

### 5.4 WEKELIJKS ONDERHOUD

- Controleer het gereedschap, de slang en de koppelingen op lucht- en olie lekkages. Stel, als u beschadigingen ziet, het gereedschap buiten gebruik en vervang de beschadigde onderdelen door nieuwe.

Raadpleeg a.u.b. handleiding nr. 07900-09410 voor de XT3 en nr. 07900-09411 voor de XT4 voor de volledige probleemoplossingen en onderhoudsinstructies.

Raadpleeg a.u.b. handleiding nr. 07900-09410 voor de XT3 en nr. 07900-09411 voor de XT4 voor de veiligheidsgegevens met betrekking tot het vet en olie die met dit gereedschap worden gebruikt.

### 5.5 HET MILIEU BESCHERMEN

Volg de van toepassing zijnde afvoerschriften. Alle afvalproducten moeten worden afgevoerd naar een goedgekeurde afvalvoorziening of soortgelijke locatie, zodat het personeel en het milieu niet aan risico's worden blootgesteld.

## 6. EG-CONFORMITEITSVERKLARING

### Origineel

Wij, **Avdel UK Limited; Stanley House, Works Road, Letchworth Garden City, Hertfordshire, SG6 1JY UNITED KINGDOM**, verklaren geheel onder eigen verantwoordelijkheid dat het product:

**Beschrijving**

ProSet® XT3 en ProSet® XT4 Hydro-Pneumatisch gereedschap voor blindklinknagels

**Merk/Model**

POP-Avdel® / 76003 en POP-Avdel® / 76004

**Serienummer**

waar deze verklaring op van toepassing is, voldoet aan de volgende standaard:

ISO 12100:2010	EN ISO 3744:2010
EN ISO 11202:2010	EN ISO 11148-1:2011
EN ISO 4413:2010	BS EN 28662-1:1993
EN ISO 4414:2010	EN ISO 20643:2008+A1:2012
EN ISO 28927-5:2009/A1:2015	

De technische documentatie is opgesteld overeenkomstig bijlage 1, sectie 1.7.4.1, in navolging van de volgende richtlijn:

**2006/42/EG Machinerichtlijn**

UK Statutory Instruments 2008 No 1597 - The Supply of Machinery (Safety) Regulations refers.

**A. K. Seewraj**

**Technology Manager – EU Blind Fastening**

Avdel UK Limited; Stanley House, Works Road, Letchworth Garden City,  
Hertfordshire, SG6 1JY UNITED KINGDOM

**Handtekening**



**Plaats van afgifte** Letchworth Garden City

**Datum van afgifte** 01.03.2017



Deze machine voldoet aan Machinerichtlijn 2006/42/EG.

## 7. BESCHERM UW INVESTERING!

### 7.1 POP'AVDEL' BLINDKLINGEREEDSCHAP GARANTIE

STANLEY Engineered Fastening garandeert dat elektrisch gereedschap zorgvuldig is geproduceerd en dat het vrij is van gebreken in materialen of uitvoering, bij normaal gebruik en service, voor een periode van één (1) jaar. Deze garantie heeft betrekking op de eerste aankoper van het gereedschap en enkel voor bedoeld gebruik.

#### **Uitzonderingen:**

##### **Normale slijtage.**

Periodiek onderhoud, reparaties en vervanging van onderdelen door normale slijtage en beschadiging vallen niet onder de garantie.

##### **Misbruik & verkeerd gebruik.**

Defecten of schade voortkomend uit onjuiste bediening, opslag, ruwe behandeling en verkeerd gebruik, ongelukken of verwaarlozing, zoals materiële beschadiging, vallen niet onder de garantie.

##### **Ongeautoriseerde service of aanpassingen.**

Defecten of schade voortvloeiend uit service, het testen van aanpassingen, installatie, onderhoud, wijzigingen of aanpassingen in welke vorm ook, die zijn uitgevoerd door iemand anders dan STANLEY Engineered Fastening, of één van hun geautoriseerde servicecentra, vallen niet onder de garantie.

Alle andere garanties, expliciet of impliciet, inclusief enige garantie van verkoopbaarheid of geschiktheid voor een bepaald gebruik, zijn hierbij uitgesloten.

Mocht dit gereedschap niet aan de garantie voldoen, stuur het dan direct naar het geautoriseerde servicecentrum bij u in de buurt. Neem voor een lijst van geautoriseerde POP'Avdel® servicecentrums in de VS of Canada contact met ons op via het gratis nummer (877)364 2781.

Bezoek buiten de VS en Canada onze website **[www.StanleyEngineeredFastening.com](http://www.StanleyEngineeredFastening.com)** om uw dichtstbijzijnde STANLEY Engineered Fastening servicecentrum te vinden.

STANLEY Engineered Fastening vervangt dan gratis elk onderdeel dat wij defect achten, ten gevolge van slechte materialen of slecht vakmanschap, en zal het gereedschap daarna gratis terugsturen. Dit geeft onze enige verplichting onder deze garantie weer.

In geen enkel geval kan STANLEY Engineered Fastening aansprakelijk worden gesteld voor gevolgschade of speciale schade die voortkomt uit de aanschaf of het gebruik van dit product.

### 7.2 REGISTREER UW BLINDKLINGEREEDSCHAP ONLINE.

Registreer uw garantie online, ga naar

<http://www.stanleyengineeredfastening.com/popavdel-powertools/warranty-card>.

Wij danken u dat u STANLEY Engineered Fastening's gereedschap van het merk POP'Avdel® hebt gekozen.



©2017 Stanley Black & Decker inc.

Alle rettigheter forbeholdt.

Informasjonen her skal ikke reproduseres og/eller offentliggjøres på noen måte i noen form (elektronisk eller mekanisk) uten skriftlig forhåndstillatelse fra STANLEY Engineered Fastening. Informasjonen her er basert på data kjent på tidspunktet for lansering av produktet. STANLEY Engineered Fastening har en policy med kontinuerlig produktforbedring, og produktene kan derfor endre seg. Informasjonen her gjelder produktet som levert fra STANLEY Engineered Fastening. STANLEY Engineered Fastening kan derfor ikke holdes ansvarlig for eventuelle skader som følger av endringer i forhold til de originale spesifikasjonene for produktet.

Informasjonen her er sammenstilt med størst mulig nøyaktighet. Men STANLEY Engineered Fastening tar intet ansvar med hensyn til eventuelle feil i informasjonen eller for konsekvenser av slike feil. STANLEY Engineered Fastening tar intet ansvar for handlinger utført av tredjepart. Arbeidsnavn, handelsnavn, registrerte varemerker osv. som brukes av STANLEY Engineered Fastening skal ikke regnes som frie, men er underlagt lovgivning med hensyn til beskyttelse av varemerker og lignende.

## INNHold

<b>1. SIKKERHETSDEFINISJONER</b> .....	<b>2</b>
1.1 GENERELLE SIKKERHETSREGLER .....	2
1.2 FARE FRA PROSJEKTILER .....	3
1.3 FARE VED BRUK .....	3
1.4 FARE VED GJENTATTE BEVEGELSER .....	3
1.5 FARE VED TILBEHØR .....	3
1.6 FARE VED ARBEIDSPLASSEN .....	4
1.7 FARE VED STØY .....	4
1.8 FARE VED VIBRASJONER .....	4
1.9 EKSTRA SIKKERHETSANVISNINGER FOR HYDRAULISKE VERKTØY .....	4
<b>2. SPESIFIKASJONER</b> .....	<b>5</b>
2.1. VERKTØYSPESIFIKASJONER .....	5
2.2 INNSETTINGSINSTRUKSJONER .....	6
2.3 INNHold I PAKKEN .....	7
2.4 LISTE OVER HOVEDKOMponentER .....	7
2.5 STANDARD NESEUTSTYR .....	7
<b>3. VERKTØYOPPSETT</b> .....	<b>8</b>
3.1 NESEUTSTYR (se figur 2) .....	8
3.2 LUFTTILFØRSEL (se figur 3) .....	8
3.3 FUNKSJONSPRINSIPP .....	9
<b>4. DRIFTSPROSEDYRE</b> .....	<b>10</b>
4.1 BRUK AV VERKTØYET (se figur 1, 4, 5 og 6) .....	10
4.2 TØMMING AV KJERNESAMLEREN (se fig. 1) .....	10
<b>5. SERVICE PÅ VERKTØYET</b> .....	<b>11</b>
5.1 VEDLIKEHOLDsINTERVALL .....	11
5.2 NESEUTSTYR .....	11
5.3 DAGLIG VEDLIKEHOLD .....	11
5.4 UKENTLIG VEDLIKEHOLD .....	11
5.5 MILJØVERN .....	11
<b>6. EU-SAMsvARsERKLÆRING</b> .....	<b>12</b>
<b>7. BESKYTT INVESTERINGEN DIN!</b> .....	<b>13</b>
7.1 POP® Avdel® GARANTI FOR POPNAGLEVERKTØY .....	13
7.2 REGISTRER DITT POPNAGLEVERKTØY ONLINE .....	13





Denne instruksjonshåndboken skal leses av alle som installerer eller bruker dette verktøyet, med spesiell oppmerksomhet på å følge sikkerhetsreglene.



Bruk alltid slagfaste vernebriller ved bruk av verktøyet. Nødvendig beskyttelse skal vurderes før hver bruk.



Bruk hørselsvern i samsvar med arbeidsgiverens anvisninger og som pålagt i HMS-reglene.



Bruk av verktøyet kan eksponere brukerens hender for fare, inkludert knusing, slag, kutt, skrubbsår og varme. Bruk passende hansker for å beskytte hendene.

## 1. SIKKERHETSDEFINISJONER

Definisjonene under beskriver alvorlighetsgraden for hvert signalord. Vennligst les håndboken og legg merke til disse symbolene.



**FARE:** Indikerer en overhengende farlig situasjon som vil føre til død eller alvorlige personskader hvis den ikke avverges.



**ADVARSEL:** Indikerer en potensielt farlig situasjon som kan føre til død eller alvorlige personskader hvis den ikke avverges.



**FORSIKTIG:** Indikerer en potensielt farlig situasjon som kan føre til små eller moderate personskader hvis den ikke avverges.

**FORSIKTIG:** Bruk uten sikkerhetssymbol indikerer en potensiell farlig situasjon som kan føre til materielle skader dersom den ikke avverges.

**Feilaktig bruk eller vedlikehold av dette produktet kan føre til alvorlige personskader og materielle skader. Les og forstå alle advarsler og bruksanvisninger før bruk av dette utstyret. Ved bruk av verktøy skal alltid grunnleggende sikkerhetsregler følges for å unngå fare for personskader.**

### TA VARE PÅ ALLE ADVARSLER OG ANVINGNINGER FOR FREMTIDIG BRUK

#### 1.1 GENERELLE SIKKERHETSREGLER

- For mange ulike farer, les og forstå sikkerhetsanvisningene før installasjon, bruk, reparasjon, vedlikehold av og skifte av tilbehør på verktøyet, eller for arbeid i nærheten. Dersom det ikke gjøres kan det føre til alvorlige personskader.
- Kun kvalifiserte og opplærte skal installere, justere og bruke verktøyet.
- Skal ikke brukes for andre formål enn den påtenkte installasjonen av STANLEY Engineered Fastening popnagler.
- Bruk kun deler, nagler og tilbehør som anbefalt av produsenten.
- IKKE modifier verktøyet. Endringer kan redusere effekten av sikkerhetstiltak og øke risikoen for brukeren. Eventuelle endringer på verktøyet som er foretatt av kunden, er kundens eneansvar og vil ugyldiggjøre alle aktuelle garantier.
- Ikke kast sikkerhetsanvisningene, brukeren skal ha dem.
- Bruk ikke verktøyet dersom det er skadet.
- Før bruk, kontroller for feil innretning eller bevegelige deler som sitter fast, brukne deler og andre forhold som kan påvirke verktøyets funksjon. Dersom det er skadet, få verktøyet reparert før bruk. Ta av eventuell justeringsnøkkel eller skiftenøkkel før bruk.
- Verktøy skal ha regelmessig ettersyn for å verifisere angivelser og merking som kreves i henhold til denne del av ISO 11148 er lesbare på verktøyet. Arbeidsgiver/bruker skal kontakte produsenten for å få nye etiketter om nødvendig.
- Verktøyet skal alltid vedlikeholdes for trygg brukstilstand, og skal inspiseres for skader og korrekt funksjon av opplært personell med regelmessige mellomrom. All demontering skal foretas av opplært personell. Ikke demonter dette verktøyet uten først å rådføre deg med vedlikeholdsanvisningene.

## **1.2 FARE FRA PROSJEKTILER**

- Koble fra luftslangen fra verktøyet før du foretar vedlikehold, justeringsforsøk, setter på eller tar av nesemodul.
- Vær oppmerksom på at svikt i arbeidsstykker eller tilbehør – og i det anvendte verktøyet selv – kan utløse prosjektiler med høy hastighet.
- Bruk alltid slagfaste vernebriller ved bruk av verktøyet. Nødvendig beskyttelse skal vurderes før hver bruk.
- Risikoen for andre personer skal vurderes samtidig.
- Forsikre deg om at arbeidsstykker er godt festet.
- Sjekk at beskyttelsen mot utkast av nagler og/eller kjerner er på plass og fungerer.
- DU SKAL IKKE bruke verktøyet uten at kjernesamleren er installert.
- Advar mot mulig kraftig utkast av kjerner fra fronten av verktøyet.
- Ikke bruk verktøyet dersom den er rettet direkte mot noen person.

## **1.3 FARE VED BRUK**

- Bruk av verktøyet kan eksponere brukerens hender for fare, inkludert knusing, slag, kutt, skrubbsår og varme. Bruk passende hansker for å beskytte hendene.
- Brukere og vedlikeholdspersonell skal være fysisk i stand til å håndtere størrelse, vekt og kraften av verktøyet.
- Hold verktøyet korrekt, vær forberedt på å motvirke normale eller plutselige bevegelser og ha begge hender tilgjengelige.
- Hold håndtakene på verktøyet tørre, rene og fri for olje og fett.
- Hold en god, balansert kroppstilling og godt fotfeste ved bruk av verktøyet.
- Slipp start/stopp innretningen ved brudd på hydraulikkforsyningen.
- Bruk bare smøremidler som er anbefalt av produsenten.
- Kontakt med hydraulisk væske skal unngås. For å minske muligheten for utslett, skal du passe på å vaske huden grundig hvis kontakt oppstår.
- Sikkerhetsdatablad for alle hydrauliske oljer og smøremidler er tilgjengelig fra din verktøyleverandør på forespørsel.
- Unngå uegnede kroppsposisjoner, da det er sannsynlig at slike posisjoner ikke lar deg motvirke normale eller uventede bevegelser på verktøyet.
- Dersom verktøyet er festet i et oppheng, pass på at det er godt festet.
- Vær oppmerksom på risikoen for knusing eller kniping dersom neseutstyr ikke er satt på.
- IKKE bruk verktøyet med nesehuset tatt av.
- Det må være tilstrekkelig klaring fra verktøybrukerens hender før du går videre.
- Når du bærer verktøyet fra sted til sted, hold alltid hånden unna avtrekkeren for å unngå utilsiktet aktivering.
- Ikke bruk verktøyet feil ved å la det falle ned eller bruke det som hammer.
- Du må forsikre deg om at brukte kjerner ikke utgjør en fare.
- Kjernesamleren når den er omtrent halvfull.

## **1.4 FARE VED GJENTATTE BEVEGELSER**

- Ved bruk av verktøyet kan brukeren oppleve ubehag i hender, armer, skuldre, nakke eller andre kroppsdeler.
- Ved bruk av verktøyet skal brukeren holde en komfortabel kroppstilling og samtidig hole et stødig fotfeste og unngå klønete eller ubalanserte stillinger. Brukeren bør sørge for å skifte stilling under langvarige jobber, det hjelper til med å unngå ubehag og utmattelse.
- Dersom brukeren opplever symptomer som varig eller gjentakende ubehag, smerte, bankende, verkende, prikkende, følelsesløshet, brennende følelser eller stivhet, skal slike varseltegn ikke ignoreres. Brukeren skal informere arbeidsgiver og søke kvalifisert medisinsk råd.

## **1.5 FARE VED TILBEHØR**

- Koble verktøyet fra luftforsyning før montering eller demontering av nesemodul eller tilbehør.
- Bruk kun størrelse og type av tilbehør og forbruksartikler som anbefalt av verktøyprodusenten, ikke bruk andre typer eller størrelser av tilbehør eller forbruksartikler.

### **1.6 FARE VED ARBEIDSPLASSEN**

- Hovedårsakene til arbeidsulykker er å skli, snuble og falle. Vær oppmerksom på glatte flater som skyldes bruk av verktøyet og fare for å snuble i luftledning eller hydraulikkslange.
- Vær forsiktig i ukjente omgivelser. Det kan være skjule farer så som elektriske ledninger eller andre infra-strukturlinjer.
- Verktøyet er ikke ment for bruk i potensielt eksplosive atmosfærer og er ikke isolert mot kontakt med elektrisk strøm.
- Forsikre deg om at ingen elektriske kabler, gassrør og lignende som kan utgjøre en fare dersom de skades av verktøyet.
- Kle deg korrekt. Ikke ha på deg løstsittende klær eller smykker. Hold hår, antrekk og hansker borte fra bevegelige deler. Løstsittende antrekk, smykker eller langt hår kan bli fanget opp av bevegelige deler.
- Du må forsikre deg om at brukte kjerner ikke utgjør en fare.

### **1.7 FARE VED STØY**

- Å utsettes for høyt støynivå kan føre til permanent, invalidiserende hørselstap og andre problemer som tinnitus (ringing, summing, plystring eller surring i ørene). Derfor er det viktig med risikovurdering og innføring av passende kontroller for slik fare.
- Passende kontroller for å redusere risikoen kan inkludere tiltak som lyddempende materialer for å hindre "ringing" i arbeidsstykkene.
- Bruk hørselsvern i samsvar med arbeidsgiverens anvisninger og som pålagt i HMS-reglene.
- Bruk og vedlikehold verktøyet som anbefalt i bruksanvisningen for å forhindre økt støynivå.
- Forsikre deg om at lyddemperen i kjernesamleren er på plass og fungerer som den skal når verktøyet brukes.

### **1.8 FARE VED VIBRASJONER**

- Eksponering for vibrasjoner kan føre til invalidiserende skader på nervene og blodforsyningen til hender og armer.
- Bruk varme klær ved arbeid i kalde omgivelser og hold hendene tørre og varme.
- Dersom du opplever nummenhet, prikking, smerte eller at huden blir hvit på fingrene eller hender, stopp bruken av verktøyet og søk medisinsk hjelp.
- Om mulig, avlast vekten av verktøyet ved hjelp av stativ, oppheng eller avbalansering, det er da lettere å holde verktøyet.

### **1.9 EKSTRA SIKKERHETSANVISNINGER FOR HYDRAULISKE VERKTØY**

- Driftstrykket på trykkluften skal ikke overstige 7 bar (100 PSI).
- Olje under trykk kan føre til alvorlige personskader.
- La aldri verktøyet ligge uten tilsyn. Koble fra luftslange når verktøyet ikke brukes, før skifte av tilbehør eller når du foretar reparasjoner.
- DU SKAL IKKE la eksosåpningen på kjernesamleren være rettet i retning av brukeren eller andre personer. Rett aldri luften mot deg selv eller andre.
- Piskende slanger kan føre til alvorlige personskader. Sjekk alltid at slanger og fittings ikke er skadet eller løse.
- Før bruk, inspiser luftledningene for skader. Alle koblinger skal sitte godt. Ikke la tunge gjenstander falle på slangene. Et skarpt slag kan føre til indre skader og føre til at slangen svikter før tiden.
- Kald luft skal rettes unna hendene dine.
- Når generelle dreiekoblinger (klokoblinger) brukes, skal det installeres låsepinne og det skal brukes piske-stoppende sikkerhetswire for å forhindre mulige koblingsfeil mellom slange og verktøy eller mellom ulike slanger.
- IKKE løft popnagleverktøyet i slangen. Bruk alltid håndtaket på nagleverktøyet.
- Ventilasjonsåpningene skal ikke blokkeres eller dekkes til.
- Hold smuss og fremmedlegemer ute av hydraulikksystemet, det kan føre til at verktøyet feiler.

**STANLEY Engineered Fastenings policy er å drive kontinuerlig produktutvikling og forbedringer, og vi forbeholder oss retten til å endre spesifikasjonene for alle produkter uten forhåndsvarsel.**

## 2. SPESIFIKASJONER

ProSet® XT3 og XT4 er hydro-pneumatiske verktøy designet for innsetting av Stanley Engineered Fastening popnagler med høy hastighet. Verktøyene har et vakuumsystem for å holde naglene og enkel oppsamling av brukte kjerner uavhengig av verktøyets orientering.

Når den er koblet til relevant neseutstyr, kan ProSet® XT3 og XT4 brukes for å sette inn popnagler i området  $\varnothing$  4,0mm til  $\varnothing$  6,4mm. Se tabellen på side 10 for en liste over alle popnagler som kan brukes.

Sikkerhetsanvisningene på side 2 og 4 skal alltid følges.

**SKAL IKKE** brukes under våte forhold eller ved nærvær av brennbare væsker eller gasser.

### 2.1. VERKTØYSPESIFIKASJONER

	XT3		XT4	
<b>Trekraft:</b> @5,5 bar	17,0 kN	3822 lbf	23,0 kN	5193 lbf
<b>Trykkluft trykk:</b> Min. til Maks.	5,0 - 7,0 bar	72,5 - 101,5 lbf/in <sup>2</sup>	5,0 - 7,0 bar	72,5 - 101,5 lbf/in <sup>2</sup>
<b>Oljetrykk:</b> Trekk @ 5,5 bar	290 bar	4206 lbf/in <sup>2</sup>	395 bar	5729 lbf/in <sup>2</sup>
<b>Slaglengde:</b> Minimum stempelslag	26,0 mm	1,02 in.	18,0 mm	0,91 in.
<b>Vekt:</b> Inkludert neseutstyr	2,24 kg	4,94 lb	2,26 kg	4,98 lb
<b>Vekt:</b> Uten neseutstyr	2,00 kg	4,41 lb	2,02 kg	4,41 lb
<b>Fritt luftvolum:</b> @5,5 bar	6,3 liter	384,4 in <sup>3</sup>	6,3 liter	384,4 in <sup>3</sup>
<b>Syklustid:</b> Omtrent	0,9 sekunder		1,0 sekunder	

Støyverdier bestemt i samsvar med teststandard for støy i ISO 15744 og ISO 3744.		XT3	XT4
A-vektet lydeffektnivå dB(A), $L_{WA}$	Usikkerhet lyd: $k_{WA} = 3,0$ dB(A)	90,3 dB(A)	89,7 dB(A)
A-vektet avgitt lydtryknivå på arbeidsstedet dB(A), $L_{pA}$	Usikkerhet lyd: $k_{pA} = 3,0$ dB(A)	79,3 dB(A)	78,7 dB(A)
C-vektet topp lydtryknivå dB(C), $L_{pC}$ topp	Usikkerhet lyd: $k_{pC} = 3,0$ dB(C)	82,7 dB(C)	81,5 dB(A)

Vibrasjonsverdier bestemt i samsvar med teststandard for vibrasjoner i ISO 20643 og ISO 5349.		XT3	XT4
Vibrasjonsutslippsnivå, $a_{hd}$		1,41 m/s <sup>2</sup>	1,80 m/s <sup>2</sup>
Usikkerhet vibrasjon: k		0,70 m/s <sup>2</sup>	0,90 m/s <sup>2</sup>
Erklærte vibrasjonsutslippsverdier i samsvar med EN 12096			

## 2.2 INNSETTINGSINSTRUKSJONER

Nagletype	Naglediameter mm [tommer]										
	4 [5/32"]	4,3	4,8 [3/16"]	6	6,4 [1/4"]	7	8	9	10	11	12
Åpen ende	●*		●**		●						
Lukket ende	●*		●**		●						
HR	●*		●		●						
HS					● (3)						
Multi-Grip	●*		●**		●						
TL	●*		●								
T-Rivet (Emhart)	●*		●		●						
Self-Pluggen	●*		●		●						
Ultra Grip (UG) (NPR)					Ⓢ (3)						
CD					● (3)						
Avex <sup>®</sup>	● (2)		● (2)		● (2)						
Stavex <sup>®</sup>	● (2)		● (2)		● (1)(3)						
Avinox <sup>®</sup> / Avibulb <sup>®</sup>	● (2)		● (2)	● (2)							
Avinox <sup>®</sup> XT / Avibulb <sup>®</sup> XT					● (1)(3)						
LSR/Bulbex <sup>®</sup>	● (2)		● (2)								
T-Lok <sup>®</sup>		● (2)	● (2)								
Avdel <sup>®</sup> SR	● (2)		● (2)		● (2)						
Hemlok <sup>®</sup>					● (1)(3)						
Interlock <sup>®</sup>			Ⓢ (2)		Ⓢ (1)(3)						
Maxlok <sup>®</sup>			● (3)		④ (3)						
Monobolt <sup>®</sup>			Ⓢ (1)(2)		Ⓢ (1)(3)						
Avtainer <sup>®</sup>									④ (1)(3)		
Avseal <sup>®</sup> (STD)				● (1)(3)		● (1)(3)	● (1)(3)	● (1)(3)	④ (1)(3)		
Avseal <sup>®</sup> (Low Press)							● (1)(3)	● (1)(3)	● (1)(3)	④ (1)(3)	④ (1)(3)
Q Rivet	● (2)		● (2)		● (2)						
T-Feste (Avdel)			● (1)(2)		● (1)(2)						
Avdelmate <sup>®</sup>			● (2)		● (2)						
Klamp-Tite <sup>®</sup> BAPK			Ⓢ (2)		Ⓢ (2)						
Klamp-Tite <sup>®</sup> BAPKTR			Ⓢ (1)(2)		Ⓢ (1)(2)						
Avdelok <sup>®</sup>			● (3)		④ (3)						

\* Bruk PRG540-46 kjever og FAN276-064 kjevetrykkermodul

\*\* Bruk PRG540-46 kjever.

● Kan brukes for både XT3 og XT4 verktøy

Ⓢ Kan kun brukes for XT3 verktøy

④ Kan kun brukes for XT4 verktøy

(1) Ikke-standard neseutstyr kreves

(2) Alternativ type neseutstyr tilgjengelig

(3) Ikke-standard neseutstyr kreves.

For en komplett liste over neseutstyr for hver type popnagler, sammen med modulen og vedlikeholdsinstruksjoner skal du se i ProSet® neseutstyrmanualen 07900-09414

### 2.3 INNHOLD I PAKKEN

- 1 ProSet® XT3 eller XT4 popnagleverktøy.
- 1 sett standard neseutstyr & nesedeler for 4,8mm [3/16"] og 6,4mm [1/4"] fester.
- 1 Printet instruksjonsmanual – regionavhengig.

### 2.4 LISTE OVER HOVEDKOMPONENTER

Se figur 1 & 2, og tabellen under.

Punkt	Delenummer	Beskrivelse	Antall
1	76003-15000*	Standard neseutstyr	1
2	76003-02022	Opphengskrok	1
3	76003-05200	Kjernesamler	1
4	07001-00405	Oljeplugg	1
5	07003-00194	Pakning	1
6	76003-02008	Avtrekker	1
7	76003-03700	Ventil PÅ/AV	1
8	71210-02103	Låsemutter	1

### 2.5 STANDARD NESEUTSTYR

Se figur 2 og tabellen under.

Punkt	Delenummer	Beskrivelse	Antall
1c	PRN614	Nesedel - 4,8mm [3/16"] (montert)	1
1d	PRN811	Nesedel - 6,4mm [1/4"]	1
1e	76003-15001	Nesehus	1
1f	07003-00067	O-ring	1
1g	DPN276-001	Kjeftstyring	1
1h	PRG540-44	Kjever	1 Sett
1i	DPN276-006	Kjeveskyver	1
1j	DPN900-060	O-ring	1
1k	DPN901-019	Kjeveskyverfjær	1
1l	76003-15002	Trekkhode	1
1m	76003-15004	Kjestyrying	1
1n	DPN901-020	Fjær	1
1o	76003-15003	Trekkhodeadapter	1
1p	07003-00277	O-ring	1

For ekstra nesutstyr, se ProSet® Nose Equipment Manual 07900-09414 eller se [www.stanleyengineeredfastening.com/resource-center/document-library](http://www.stanleyengineeredfastening.com/resource-center/document-library)

For en fullstendig liste over tilbehør, se i ProSet Tilbehørsmanual 07900-09415.

\* Neseutstyr leveres ikke sammen med Proset XT3 basisverktøy (76003-01000) og Proset XT4 basisverktøy (76004-01000).

### 3. VERKTØYOPPSETT

**VIKTIG - LES SIKKERHETSREGLENE PÅ SIDE 6 & 8 NØYE FØR DU TAR VERKTØYET I BRUK.**

**VIKTIG - LUFTFORSYNINGEN MÅ SLÅS AV ELLER KOBLES FRA FØR NESEMODULEN SETTES PÅ ELLER TAS AV.**

#### 3.1 NESEUTSTYR (se figur 2)

Delenummer i fet skrift refererer til komponenter på figur 1 & 2 og tabellene på side 11. Det fullstendige verktøyet er forhåndsmontert med nese delen for 4,8mm [3/16"] nagler. En ekstra nese del for 6,4mm [1/4"] nagler leveres separat.

#### Montere nesestykket

- Luftforsyningen må være koblet fra.
- Velg korrekt nesestykke for popnaglen som skal monteres.
- Fjern nesehuset (**1e**), inkludert nesestykket (**1a, b, c, eller d**), og O-ringen (**1f**)
- Fjern nesestykket (**1a, b, c eller d**) fra nesehuset (**1e**)
- Velg relevant størrelse på nesestykket og monter i motsatt rekkefølge.

#### Ta av komplett neseutstyr.

- Luftforsyningen må være koblet fra.
- Fjern nesehuset (**1e**), inkludert nesestykket (**1a, b, c eller d**), og O-ringen (**1f**) fra verktøyet.
- Dra kjevestyringslåsen tilbake (**1m**) mot fjæren (**1n**) og fjern så kjevestyringen (**1g**).
- Fjern kjevene (**1h**) fra kjevestyringen (**1g**).
- Fjern kjevetrykkeren (**1i**), O-ringen (**1j**), og kjevetrykkerfjæren (**1k**), fra drahodet (**1l**).
- Fjern drahodemodulen (**1q**) fra verktøyets stempel ved bruk av skiftenøkkel

#### Montere det komplette neseutstyret

- Luftforsyningen må være koblet fra
- Slitte eller skadede deler skal skiftes.
- Rengjør og sjekk slitasje på kjevene (**1h**).
- Forsikre deg om at kjevetrykkeren (**1i**) eller kjevetrykkerfjæren (**k**) ikke er deformert.
- Smør kjevene med et tynt lag (**1h**) molybden-litium fett.
- Legg kjevene (**1h**) i kjevestyringen (**1g**).
- Sett inn kjevetrykkeren (**1i**) og O-ringen (**1j**) i drahodet (**1l**).
- Dra tilbake kjevestyringslåsen (**1m**) og skru kjevestyringen (**1g**) helt på drahodet (**1l**).
- Løsne kjevestyringslåsen (**1m**) og skru delvis av kjevestyringen (**1g**) til kjevestyringslåsens (**1m**) tann klikker inn i meste spor på kjevelåsen (**1g**).
- Plasser nesehuset (**1e**) over kjevestyringen (**1g**) og fest det helt på verktøyet.

Nesemoduler skal ha service med intervaller på en uke. Du bør ha lagret alle interne komponenter av nesemodulen og nesetipper da de trenger å byttes ut ofte.

#### 3.2 LUFTTILFØRSEL (se figur 3)

Komponenter

- Stoppekran (brukes ved vedlikehold av filter/regulator eller smøring av enheter)
- Trykkregulator og filter (daglig drenering)
- Hovedtilførsel dreneringspunkt
- Startpunkt til hovedforsyning

- Alle verktøy drives med trykkluft ved minimum trykk på 5,0 bar.
- Trykkregulatorer og automatiske olje/filter systemer skal brukes på luftforsyningen innen 3 meter fra verktøyet (se fig. 3).
- Luftforsyningslangene skal ha spesifisert minimum effektivt arbeidstrykk på 150% av maksimale trykket i systemet eller 10 bar, velg det høyeste.
- Luftslangene skal være oljeresistente, ha et røpefast ytre belegg og være forsterkede der driftsforholdene kan føre til at slangene skades.

- Alle luftslanger SKAL ha minimum indre diameter på 6,4 millimeter.
- Kontroller om det er luftlekkasjer. Dersom skadet, må slanger og koblinger skiftes ut mot nye.
- Dersom det ikke er montert filter på trykkregulatoren, blås ut luftslangen for å rense den for oppsamlet smuss eller vann før du kobler slangen til verktøyet.

### 3.3 FUNKSJONSPRINSIPP

**FORSIKTIG - KORREKT FORSYNINGSTRYKK ER VIKTIG FOR KORREKT FUNKSJON AV INSTALLASJONS-VERKTØYET. PERSONSKADER ELLER SKADER PÅ UTSTYR KAN OPPSTÅ SOM FØLGE AV FEIL TRYKK. FORSYNINGSTRYKKET SKAL IKKE OVERSTIGE SPESIFIKASJONEN ANGITT FOR VERKTØYET**

Delenummer i fet skrift refererer til komponenter på figur 1 & 2 og tabellene på side 11.

Når den pneumatiske slangen er koblet til popnagleverktøyet, kontrolleres trekk- og retursyklusene til verktøyet ved å trykke og slippe avtrekkeren (6) i håndtaket.

- Luftforsyningen er frakoblet.
- Koble til det korrekte neseutstyret som beskrevet på side 10 og 12.
- Koble til den pneumatiske slangen til luftens på/av-ventil (7).
- Koble til den pneumatiske slangens luftforsyning.
- Slå på strømforsyningen til verktøyet ved å skyve luft på/av-ventilen (7) til opp-posisjon.
- Luft forsynes nå til verktøyet og vakuumsystemet er i drift.
- Dra og slipp avtrekkeren (6) noen få ganger til fullt utslag av verktøyet for å sjekke funksjonen. Observer verktøyets drift. Sjekk for væske og/eller luftlekkasje.



## 4. DRIFTSPROSEDYRE

### 4.1 BRUK AV VERKTØYET (se figur 1, 4, 5 og 6)

#### Sette inn en popnagle

- Forsikre deg om at kjernesamleren (3) er montert.
- Sett inn popnaglenes kjerne i nesestykket (1a, b, c eller d). Vakuumsystemet vil holde popnaglen i nesestykket.
- Plasser verktøyet.
- Kontroller at utstyret er i rett vinkel (90°) med arbeidsstykket.
- Trekk og hold avtrekkeren (6) til popnaglen er satt helt inn på plass.
- Når popnaglen er satt fast, skal du slippe avtrekkeren (6). Verktøyet vil automatisk gå tilbake til startposisjonen. Kjernen vil automatisk slippes ned i kjernesamleren (3) av vakuumsystemet.
- Kjernesamleren må tømmes før den er halvfull.

**ADVARSEL – IKKE BRUK MAKT FOR Å SETTE INN EN POPNAGLEKJERNE ELLER SELVE POPNAGLEN. DETTE VIL FORÅRSAKE SKADE PÅ VERKTØYET OG/ELLER ARBEIDSSTYKKET.**

### 4.2 TØMMING AV KJERNESAMLEREN (se fig. 1)

#### ADVARSEL - IKKE BRUK VERKTØYET NÅR KJERNESAMLEREN ER TATT AV

- Verktøyet er utstyrt med en hurtig kobling/utløser av kjernesamleren (3).
- En 60° rotasjon tar av eller setter på kjernesamleren.
- Ved å fjerne kjernesamleren (3) fra verktøyet stenges vakuumholdingen av popnaglen og skaftuttrekkeren.
- Ved å sette tilbake kjernesamleren, slås vakuumsystemet PÅ.

## 5. SERVICE PÅ VERKTØYET

### 5.1 VEDLIKEHOLDSPERIODEN

Regelmessig vedlikehold skal utføres av opplært personell og et omfattende ettersyn skal gjøres hvert år eller etter 500 000 sykluser, etter hva som inntreffer først.



KOBLE FRA LUFTFORSYNINGEN



**ADVARSEL** - Du skal aldri bruke løsemidler eller andre sterke kjemikalier for rengjøring av ikke-metalliske deler av verktøyet.

*Disse kjemikaliene kan svekke materialene brukt i disse delene.*

### 5.2 NESEUTSTYR

Nesemoduler skal ha service hver uke eller etter 5000 sykluser. Du bør ha lagret alle interne komponenter av nesemodulen og nesetipper, da de trenger å byttes ut ofte.

- Koble fra luftforsyningen
- Fjern den komplette nesemodulen ved å bruke prosedyren som beskrives i avsnitt 3.1.
- Kontroller alle komponenter.
- Eventuelle slitte eller skadede deler skal skiftes ut med nye.
- Sjekk spesielt slitasje på kjever (**1h**).
- Rengjør alle deler og påfør molybden-litium fett (07992-00020) på kjevene (**1h**) og hullet i kjevestylingen (**1g**).
- Sett sammen i henhold til monteringsanvisningene i avsnitt 3.1.

### 5.3 DAGLIG VEDLIKEHOLD

- Før bruk, sjekk verktøyet, slangen og koblingene for luftlekkasjer og oljelekkasjer. Dersom skadet, ta verktøyet ut av bruk og skift ut berørte deler med nye.
- Dersom det ikke er montert filter på trykkregulatoren, blås ut luftslangen for å rense den for oppsamlet smuss eller vann før du kobler slangen til verktøyet. Hvis det finnes et filter skal du drenere det.
- Sjekk om neseutstyret (**1**) er korrekt for at popnaglen som skal brukes og at det er festet skikkelig.
- Sjekk at slaget til verktøyet møter minimumspesifikasjonen (se 2.1).
- Kjernesamleren (**3**) må være festet til verktøyet.
- Sjekk at luftkammeret er godt festet til verktøykroppen.

### 5.4 UKENTLIG VEDLIKEHOLD

- Sjekk verktøyet, slangen og koblingene for luftlekkasjer og oljelekkasjer. Dersom skadet, ta verktøyet ut av bruk og skift ut berørte deler med nye.

For full service, feilsøking og vedlikehold, se Service Manual Nr. 07900-09410 for XT3 og 07900-09411 for XT4.

For sikkerhetsdata som har med smøring og olje på dette verktøyet å gjøre, se Service Manual Nr. 07900-09410 for XT3 og 07900-09411 for XT4.

### 5.5 MILJØVERN

Forsikre deg om samsvar med gjeldende forskrifter for avhending. Avhende alt avfall via godkjent avfallshåndtering eller retursted for å unngå at personell og miljø eksponeres for fare.

## 6. EU-SAMSVARSERKLÆRING

### Original

Vi, **Avdel UK Limited; Stanley House, Works Road, Letchworth Garden City, Hertfordshire, SG6 1JY UNITED KINGDOM**, erklærer, under vårt eneansvar, at produktet:

**Beskrivelse**

ProSet® XT3 og ProSet® XT4 hydro-pneumatiske verktøy for popnagler

**Merke/modell**

POP-Avdel® / 76003 and POP-Avdel® / 76004

**Serienr.**

som denne erklæringen angår, er i samsvar med følgende standard:

ISO 12100:2010	EN ISO 3744:2010
EN ISO 11202:2010	EN ISO 11148-1:2011
EN ISO 4413:2010	BS EN 28662-1:1993
EN ISO 4414:2010	EN ISO 20643:2008+A1:2012
EN ISO 28927-5:2009/A1:2015	


Den tekniske dokumentasjonen er utformet i samsvar med vedlegg 1, avsnitt 1.7.4.1, i henhold til følgende direktiv:

**2006/42/EU**
**Maskindirektivet**

Gjeldende er også "UK Statutory Instruments 2008 No 1597 - The Supply of Machinery (Safety) Regulations".

**A. K. Seewraj**
**Technology Manager – EU Blind Fastening**

Avdel UK Limited, Stanley House, Works Road, Letchworth Garden City,  
Hertfordshire, SG6 1JY UNITED KINGDOM

**Signatur**

**Utgivelsessted**
**Letchworth Garden City**
**Utgivelsesdato**
**01.03.2017**


Dette utstyret er i samsvar med Maskindirektivet 2006/42/EU.

## 7. BESKYTT INVESTERINGEN DIN!

### 7.1 POP®Avdel® GARANTI FOR POPNAGLEVERKTØY

STANLEY Engineered Fastening garanterer at alle verktøy er nøyaktig produsert og er frie for defekter som skyldes materiale eller produksjonsarbeid, ved normal bruk og vedlikehold i en periode på ett (1) år. Denne garantien gjelder kun for den opprinnelige kjøperen av verktøyet.

#### **Unntak:**

##### **Normal bruksslitasje.**

Periodisk vedlikehold, reparasjon og skifte av reservedeler på grunn av normal slitasje, dekkes ikke av garantien.

##### **Feilbruk og misbruk.**

Defekter eller skader som skyldes feilaktig bruk, feilaktig lagring, misbruk, uhell eller forsømmelse så som fysiske skader, dekkes ikke av garantien.

##### **Uautorisert vedlikehold og endringer.**

Defekter eller skader som skyldes service, testing, justering, installasjon, vedlikehold, endringer eller modifikasjoner på noen som helst måte av andre enn STANLEY Engineered Fastening, eller et autorisert servicesenter, dekkes ikke av garantien.

Alle andre garantier, enten uttalte eller implisitte, inkludert garanti for salgbarhet eller egnethet for et spesielt formål, er herved ekskludert.

Dersom dette verktøyet svikter i garantiperioden, send det straks til ditt nærmeste autoriserte servicesenter. For a list of POP®Avdel® autoriserte servicesentere i USA eller Canada, kontakt oss på gratis telefon (877)364 2781.

Utenfor USA og Canada, se vår nettside **[www.StanleyEngineeredFastening.com](http://www.StanleyEngineeredFastening.com)** for å finne din nærmeste STANLEY Engineered Fastening-representant.

STANLEY Engineered Fastening vil så skifte ut, uten noen kostnad, en del eller deler som vi finner å være defekt på grunn av feil ved materiale eller produksjon, og returnerer verktøyet uten kostnad. Dette er vår eneste forpliktelse under denne garantien.

Under ingen omstendighet skal STANLEY Engineered Fastening være ansvarlig for andre følgeskader eller spesielle skader som følger av kjøp eller bruk av dette verktøyet.

### 7.2 REGISTRER DITT POPNAGLEVERKTØY ONLINE.

For å registrere garantien online, besøk oss på

<http://www.stanleyengineeredfastening.com/popavdel-powertools/warranty-card>.

Takk for at du valgte et STANLEY Engineered Fastening's POP®Avdel® verktøy.



©2017 Stanley Black & Decker inc.

Todos os direitos reservados.

As informações fornecidas não podem ser reproduzidas e/ou tornadas públicas por qualquer forma ou qualquer meio (electrónica ou mecânica) sem a permissão prévia explícita e escrita por parte da STANLEY Engineered Fastening. As informações fornecidas têm como base dados conhecidos aquando da introdução deste produto. A STANLEY Engineered Fastening segue uma política de melhoramento contínuo dos produtos e, por conseguinte, os produtos podem estar sujeitos a alterações. As informações fornecidas são aplicáveis ao produto tal como são fornecidas pela STANLEY Engineered Fastening. Por conseguinte, a STANLEY Engineered Fastening não pode ser responsabilizada por quaisquer desvios das especificações originais do produto.

As informações disponíveis foram criadas com o maior rigor possível. No entanto, a STANLEY Engineered Fastening não aceita qualquer responsabilidade no que respeita a quaisquer erros das informações indicadas ou pelas consequências daí resultantes. A STANLEY Engineered Fastening não aceita qualquer responsabilidade por quaisquer danos resultantes das actividades executadas por terceiros. Os nomes autorizados, nomes comerciais, marcas registadas, etc. utilizados pela STANLEY Engineered Fastening não devem ser considerados como gratuitos, de acordo com a legislação no que respeita à protecção das marcas comerciais.

## ÍNDICE

<b>1. DEFINIÇÕES DE SEGURANÇA.....</b>	<b>2</b>
1.1 REGRAS DE SEGURANÇA GERAIS .....	2
1.2 RISCO DE PROJECCÃO.....	3
1.3 RISCO DURANTE O FUNCIONAMENTO .....	3
1.4 RISCO DE MOVIMENTO REPETITIVO.....	3
1.5 RISCO RELACIONADO COM ACESSÓRIOS .....	3
1.6 RISCO NO LOCAL DE TRABALHO.....	4
1.7 RISCO DE RUÍDO.....	4
1.8 RISCO DE VIBRAÇÃO .....	4
1.9 INSTRUÇÕES ADICIONAIS DE SEGURANÇA PARA FERRAMENTAS ELÉCTRICAS PNEUMÁTICAS.....	4
<b>2. CARACTERÍSTICAS TÉCNICAS .....</b>	<b>5</b>
2.1. ESPECIFICAÇÕES DA FERRAMENTA.....	5
2.2 ESPECIFICAÇÕES SOBRE INSTALAÇÃO .....	6
2.3 CONTEÚDO DA EMBALAGEM.....	7
2.4 LISTA DOS COMPONENTES PRINCIPAIS .....	7
2.5 EQUIPAMENTO COM PONTEIRA PADRÃO .....	7
<b>3. CONFIGURAÇÃO DA FERRAMENTA .....</b>	<b>8</b>
3.1 EQUIPAMENTO COM PONTEIRA (Ref. Fig. 2).....	8
3.2 FORNECIMENTO DE AR (Ref. Fig. 3.) .....	8
3.3 PRINCÍPIO DE FUNCIONAMENTO.....	9
<b>4. PROCEDIMENTO DE FUNCIONAMENTO.....</b>	<b>10</b>
4.1 FUNCIONAMENTO DA FERRAMENTA (Ref. Fig. 1, 4, 5, 6) .....	10
4.2 Esvaziar o colector de pregos (Ref. Fig. 1).....	10
<b>5. ASSISTÊNCIA DA FERRAMENTA.....</b>	<b>11</b>
5.1 FREQUÊNCIA DAS MANUTENÇÕES .....	11
5.2 EQUIPAMENTO DA PONTEIRA .....	11
5.3 ASSISTÊNCIA DIÁRIA.....	11
5.4 ASSISTÊNCIA SEMANAL.....	11
5.5 PROTECÇÃO DO AMBIENTE .....	11
<b>6. DECLARAÇÃO CE DE CONFORMIDADE .....</b>	<b>12</b>
<b>7. PROTEJA O SEU INVESTIMENTO!.....</b>	<b>13</b>
7.1 GARANTIA DA FERRAMENTA DE REBITES CEGOS POP®/AVDEL® .....	13
7.2 REGISTE A SUA FERRAMENTA DE REBITES CEGOS ONLINE.....	13



Este manual de instruções deve ser lido por qualquer pessoal responsável pela instalação ou utilização desta ferramenta, com especial atenção às seguintes regras de segurança.



Use sempre protecção ocular resistente a impacto quando utilizar a ferramenta. O grau de protecção necessário deve ser avaliado de acordo com cada utilização.



Utilize protecção auditiva de acordo com as instruções do empregador e em conformidade com os regulamentos de segurança e saúde no trabalho.



A utilização da ferramenta pode expor as mãos do operador a riscos, incluindo esmagamento, impactos, cortes, desgaste e calor. Use luvas adequadas para proteger as mãos.

## 1. DEFINIÇÕES DE SEGURANÇA

As definições abaixo descrevem o nível de gravidade de cada aviso. Leia o manual e preste atenção a estes símbolos.



**PERIGO:** Indica uma situação de perigo iminente que, se não for evitada, resulta na morte ou em ferimentos graves.



**ATENÇÃO:** Indica uma situação de possível perigo que, se não for evitada, poderá resultar na morte ou em ferimentos graves.



**AVISO:** Indica uma situação de possível perigo que, se não for evitada, poderá resultar ferimentos ligeiros ou moderados.

**AVISO:** Utilizado sem o símbolo de aviso de segurança indica uma situação potencialmente perigosa que, se não for evitada, poderá resultar em danos materiais.

***A utilização ou manutenção inadequadas deste produto podem resultar em ferimentos graves ou danos materiais.***

***Antes de utilizar este equipamento, leia e compreenda todos os avisos e instruções de funcionamento.***

***Quando utiliza ferramentas eléctricas, devem ser sempre tomadas precauções básicas de segurança para reduzir os ferimentos pessoais.***

### GUARDE TODOS OS AVISOS E INSTRUÇÕES PARA REFERÊNCIA FUTURA

#### 1.1 REGRAS DE SEGURANÇA GERAIS

- Para evitar vários riscos, leia e compreenda as instruções de segurança antes de instalar, operar, reparar, fazer a manutenção, substituir acessórios ou trabalhar perto da ferramenta. Se não o fizer, podem ocorrer ferimentos graves.
- Apenas os operadores qualificados e com formação devem instalar, regular ou utilizar a ferramenta.
- NÃO utilize o equipamento para outro efeito que não seja fixar rebites cegos da STANLEY Engineered Fastening.
- Utilize apenas as peças, rebites e acessórios recomendados pelo fabricante.
- NÃO modifique a ferramenta. As modificações podem reduzir a eficiência das medidas de segurança e aumentar os riscos para o operador. Se for efectuada qualquer modificação na ferramenta pelo cliente, este será o único responsável e quaisquer garantias aplicáveis serão anuladas.
- Não elimine as instruções de segurança, entregue-as ao operador.
- Não utilize a ferramenta se estiver danificada.
- Antes de utilizar a ferramenta, verifique se as peças móveis da ferramenta estão alinhadas e não emperam, bem como se existem peças partidas ou quaisquer outras condições que possam afectar o funcionamento da mesma. Se a ferramenta apresentar danos, esta deve ser reparada pelo centro de assistência antes de voltar a utilizá-la. Retire qualquer chave de fenda ou ajuste antes de utilizar a ferramenta.
- As ferramentas devem ser inspeccionadas periodicamente para verificar se as classificações e marcas exigidas por esta parte da ISO 11148 estão legíveis na ferramenta. O empregador/utilizador deve entrar em contacto com o fabricante para obter as etiquetas de marcação sobreselentes, se necessário.
- A manutenção da ferramenta deve ser sempre efectuada num local de trabalho seguro e deve ser examinada em intervalos regulares em termos de danos e funcionamento por técnicos qualificados. Os procedimentos de desmontagem devem ser efectuados apenas por técnicos qualificados. Só deve desmontar esta ferramenta depois de consultar as instruções de manutenção.

## **1.2 RISCO DE PROECÇÃO**

- Desligue o fornecimento de ar da ferramenta antes de efectuar qualquer manutenção, regulação, instalação ou remoção de um conjunto de ponteiros ou acessórios.
- Tenha em atenção que a falha da peça a trabalhar ou dos acessórios ou mesmo a ferramenta inserida pode resultar em projecteis a elevada velocidade.
- Use sempre protecção ocular resistente a impacto quando utilizar a ferramenta. O grau de protecção necessário deve ser avaliado de acordo com cada utilização.
- Os riscos para terceiros deve ser também avaliado nesta altura.
- Verifique se a peça a trabalhar está fixada correctamente.
- Verifique se o tipo de protecção contra ejeção do fixador e/ou do mandril está instalado e operacional.
- NÃO utilize sem o colector de pregos instalado.
- Esteja preparado contra possível ejeção potente dos mandris na parte da frente da ferramenta.
- NÃO aponte a ferramenta ligada às pessoas.

## **1.3 RISCO DURANTE O FUNCIONAMENTO**

- A utilização da ferramenta pode expor as mãos do operador a riscos, incluindo esmagamento, impactos, cortes, desgaste e calor. Use luvas adequadas para proteger as mãos.
- Os operadores e os técnicos de manutenção devem ter capacidade para lidar com o volume, peso e potência da ferramenta.
- Segure a ferramenta correctamente. Prepare-se para reagir a movimentos normais súbitos e deve ter as mãos disponíveis.
- Mantenha as pegas da ferramenta secas, limpas e sem óleo e massa lubrificante.
- Quando utilizar a ferramenta, mantenha o corpo equilibrado e os pés bem assentes.
- Liberte o dispositivo de arranque e paragem no caso de interrupção do fornecimento hidráulico.
- Utilize apenas os lubrificantes recomendados pelo fabricante.
- O contacto com fluido hidráulico deve ser evitado. Para minimizar a probabilidade de alergia, se houver contacto, lave bem a área afectada.
- As fichas de dados de segurança de material de todos os óleos hidráulicos e lubrificantes estão disponíveis, mediante pedido, junto do seu fornecedor de ferramentas.
- Evite uma postura não adequada, porque é provável que estas posições não permitam uma reacção para movimentos normais ou inesperados da ferramenta.
- Se a ferramenta estiver fixada num dispositivo de suspensão, certifique-se de que a fixação está segura.
- Se a ponteira não estiver instalada, corre o risco de ficar esmagado ou entalado.
- NÃO utilize a ferramenta sem a caixa da ponteira.
- Antes de continuar, é necessário que o utilizador da ferramenta tenha espaço adequado para manuseá-la.
- Quando transportar a ferramenta de um local para outro, mantenha as mãos afastadas do gatilho para impedir qualquer activação inadvertida.
- NÃO utilize a ferramenta de maneira abusiva, deixando-a cair ou utilizá-la como um martelo.
- Deve ter cuidado para certificar-se de que os pregos gastos não representam um perigo.
- O colector de pregos deve ser esvaziado quando estiver meio-cheio.

## **1.4 RISCO DE MOVIMENTO REPETITIVO**

- Quando utilizar a ferramenta, o operador pode sentir desconforto nas mãos, braços, ombros, pescoço ou outras partes do corpo.
- Quando utilizar a ferramenta, o operador deve ter uma postura confortável, bem como ter os pés assentes e evitar posições incómodas ou sem equilíbrio. O operador deve mudar de posição durante tarefas prolongadas. Isto pode ajudar a evitar desconforto e fadiga.
- Se o operador tiver sintomas como desconforto persistente ou recorrente, dor, palpitações, cansaço, formigamento, dormência, sensação de ardor ou rigidez, estes sinais de aviso não devem ser ignorados. O operador deve informar o empregador e contactar um profissional de saúde qualificado.

## **1.5 RISCO RELACIONADO COM ACESSÓRIOS**

- Desligue a ferramenta do fornecimento de ar antes de montar ou retirar o conjunto da ponteira ou o acessório.
- Utilize apenas acessórios e consumíveis cujo tamanho e tipo sejam recomendados pelo fabricante da ferramenta. Não utilize acessórios ou consumíveis de outro tipo ou tamanho.



### **1.6 RISCO NO LOCAL DE TRABALHO**

- Deslizes, tropeções e quedas são as principais causas de ferimentos no local de trabalho. Esteja atento a superfícies escorregadias resultantes da utilização da ferramenta e também ao risco de tropeçar no tubo de ar ou na mangueira hidráulica.
- Tenha cuidado quando trabalhar em locais onde não esteja familiarizado. Pode haver perigos escondidos, como cabos de electricidade ou outras linhas de serviços públicos.
- A ferramenta não foi concebida para ser utilizada em ambientes potencialmente explosivos e não está isolada contra o contacto com energia eléctrica.
- Verifique se não há cabos eléctricos, tubos de gás, etc., que possam dar origem a situações de perigo se forem danificados pela utilização da ferramenta.
- Use vestuário apropriado. Não use roupa larga ou jóias. Mantenha o cabelo, a roupa e as luvas afastados das peças móveis. As roupas largas, as jóias ou o cabelo comprido podem ficar presos nestas peças.
- Deve ter cuidado para certificar-se de que os pregos gastos não representam um perigo.

### **1.7 RISCO DE RUÍDO**

- A exposição a níveis elevados de ruído pode causar perda auditiva permanente, incapacitante e a outros problemas, como zumbido nos ouvidos. Por conseguinte, é essencial avaliar o risco e a implementação de controlos adequados para estes riscos.
- Controlos adequados para reduzir o risco podem incluir medidas como materiais de isolamento para impedir que as peças de trabalho causem zumbido.
- Utilize protecção auditiva de acordo com as instruções do empregador e de acordo com os regulamentos de segurança e saúde no trabalho.
- Utilize e faça a manutenção da ferramenta conforme recomendado no manual de instruções para evitar um aumento desnecessário do nível de ruído.
- Quando utilizar a ferramenta, verifique se o silenciador está instalado no colectador de pregos e em boas condições de funcionamento.

### **1.8 RISCO DE VIBRAÇÃO**

- A exposição às vibrações pode causar danos incapacitantes nos nervos e fornecimento de sangue nas mãos e nos braços.
- Use roupa quente quando trabalhar em locais frios e mantenha as mãos quentes e secas.
- Se sentir dormência, formigueiro, dor ou branqueamento da pele nos dedos ou nas mãos, pare de utilizar a ferramenta, informe o seu superior e contacte um médico.
- Se possível, suporte o peso da ferramenta numa bancada, tensor ou equalizador, porque uma fixação mais leve pode ser utilizada para suportar a ferramenta.

### **1.9 INSTRUÇÕES ADICIONAIS DE SEGURANÇA PARA FERRAMENTAS ELÉCTRICAS PNEUMÁTICAS**

- O valor de fornecimento de ar não deve exceder 7 bar (100 PSI).
- O ar sob pressão pode causar ferimentos graves.
- Nunca deixe a ferramenta a funcionar sem assistência. Quando não estiver a utilizar a ferramenta, desligue a mangueira de ar antes de substituir acessórios ou efectuar reparações.
- NÃO permita que a abertura de saída de ar no colectador de pregos fique virada para o operador ou outras pessoas. Nunca aponte o jacto de ar directamente para si ou para outra pessoa.
- O efeito de chicote das mangueiras pode causar ferimentos graves. Verifique sempre se existem mangueiras e acessórios danificados ou soltos.
- Antes de utilizar a ferramenta, verifique se as linhas de ar apresentam danos, todas as ligações devem estar seguras. Não deixe cair objectos pesados em cima das mangueiras. Um golpe forte pode causar danos internos e dar origem à falha prematura do tubo.
- O jacto de ar frio deve ser afastado das mãos.
- Sempre que utilizar acoplamentos torcidos universais (acoplamentos de garra), devem ser instalados pinos de segurança e cabos de segurança para mangueiras como protecção contra possíveis falhas entre a mangueira e a ferramenta ou entre a mangueira e a mangueira.
- NÃO levante a ferramenta de fixação pela mangueira. Utilize sempre a pega da ferramenta de colocação.
- Os orifícios de ventilação não devem ficar obstruídos ou tapados.
- Mantenha o sistema hidráulico da ferramenta limpo de sujidade e substâncias estranhas, porque podem causar uma avaria da ferramenta.

**A política da STANLEY Engineered Fastening promove o desenvolvimento e o melhoramento contínuo de produtos e reservamo-nos o direito de alterar as especificações de quaisquer produtos sem aviso prévio.**

---

## 2. CARACTERÍSTICAS TÉCNICAS

Os modelos ProSet® XT3 e XT4 são ferramentas hidro-pneumáticas concebidas para fixar rebites cegos da Stanley Engineered Fastening a elevada velocidade. As ferramentas incluem um sistema de vácuo para fixação de rebites e uma recolha fácil dos mandris gastos, seja qual for a orientação da ferramenta.

Quando são acoplados ao respetivo equipamento com ponteira, os modelos ProSet® XT3 e XT4 podem ser utilizados para fixar rebites cegos na gama de Ø 4,0 mm a Ø 6,4 mm. Consulte a tabela na página 10 para obter uma lista de todos os rebites que podem ser colocados.

Os avisos de segurança indicados nas páginas 2 e 4 devem ser sempre cumpridos.

**NÃO** utilize a ferramenta em ambientes húmidos ou na presença de gases ou líquidos inflamáveis.

### 2.1. ESPECIFICAÇÕES DA FERRAMENTA

	XT3		XT4	
<b>Esforço de tração:</b> A 5,5 bar	17,0 kN	3822 lbf	23,0 kN	5193 lbf
<b>Pressão do fornecimento do ar:</b> Mín. a máx.	5,0 - 7,0 bar	72,5 - 101,5 lbf/pol <sup>2</sup>	5,0 - 7,0 bar	72,5 - 101,5 lbf/pol <sup>2</sup>
<b>Pressão do óleo:</b> Tração a 5,5 bar	290 bar	4206 lbf/in <sup>2</sup>	395 bar	5729 lbf/in <sup>2</sup>
<b>Curso:</b> Curso mínimo do pistão	26,0 mm	1,02 pol	18,0 mm	0,91 pol
<b>Peso:</b> Incl. o equipamento com ponteira	2,24 kg	4,94 lb	2,26 kg	4,98 lb
<b>Peso:</b> sem equipamento com ponteira	2,00 kg	4,41 lb	2,02 kg	4,41 lb
<b>Volume de ar disponível:</b> A 5,5 bar	6,3 l	384,4 pol <sup>3</sup>	6,3 l	384,4 pol <sup>3</sup>
<b>Duração do ciclo:</b> Aproximado	0,9 segundos		1,0 segundos	

Os valores de ruído são determinados de acordo com o código de ensaio de ruído ISO 15744 e ISO 3744.		XT3	XT4
Nível de potência sonora com ponderação A dB(A), $L_{WA}$	Incerteza de ruído: $k_{WA} = 3,0$ dB(A)	90,3 dB (A)	89,7 dB (A)
Um nível de emissão de pressão sonora com ponderação A na estação de trabalho dB(A), $L_{pA}$	Incerteza de ruído: $k_{pA} = 3,0$ dB(A)	79,3 dB (A)	78,7 dB (A)
Nível de emissão de pressão sonora com ponderação dB(C), $L_{pC}$ , pico	Incerteza de ruído: $k_{pC} = 3,0$ dB(C)	82,7 dB (C)	81,5 dB (A)

Os valores de ruído são determinados de acordo com o código de ensaio de vibrações ISO 20643 e ISO 5349.		XT3	XT4
Nível de emissão de vibrações, $a_{hd}$ :		1,41 m/s <sup>2</sup>	1,80 m/s <sup>2</sup>
Vibração de variabilidade: k		0,70 m/s <sup>2</sup>	0,90 m/s <sup>2</sup>
Valores de emissão de vibrações declarados de acordo com a norma EN 12096			

**2.2 ESPECIFICAÇÕES SOBRE INSTALAÇÃO**

Tipo de rebite	Diâmetro do rebite mm [polegadas]										
	4 [5/32]	4,3	4,8 [3/16]	6	6,4 [1/4]	7	8	9	10	11	12
Extremidade aberta	●*		●**		●						
Extremidade fechada	●*		●**		●						
HR	●*		●		●						
HS					● (3)						
Multi-Grip	●*		●**		●						
TL	●*		●								
Rebite em T (Emhart)	●*		●		●						
Self-Pluggger	●*		●		●						
Ultra Grip (UG) (NPR)					⊗ (3)						
CD					● (3)						
Avex®	● (2)		● (2)		● (2)						
Stavex®	● (2)		● (2)		● (1)(3)						
Avinox®/ Avibulb®	● (2)		● (2)	● (2)							
Avinox®XT/ Avibulb®XT					● (1)(3)						
LSR/Bulbex®	● (2)		● (2)								
T-Lok®		● (2)	● (2)								
Avdel® SR	● (2)		● (2)		● (2)						
Hemlok®					● (1)(3)						
Interlock®			⊗ (2)		⊗ (1)(3)						
Maxlok®			● (3)		Ⓞ (3)						
Monobolt®			⊗ (1)(2)		⊗ (1)(3)						
Avtainer®									Ⓞ (1)(3)		
Avseal® (STD)				● (1)(3)		● (1)(3)	● (1)(3)	● (1)(3)	Ⓞ (1)(3)		
Avseal® (baixa pressão)							● (1)(3)	● (1)(3)	● (1)(3)	Ⓞ (1)(3)	Ⓞ (1)(3)
Rebite em Q	● (2)		● (2)		● (2)						
Rebite em T (Avdel)			● (1)(2)		● (1)(2)						
Avdelmate®			● (2)		● (2)						
Klamp-Tite® BAPK			⊗ (2)		⊗ (2)						
Klamp-Tite® BAPKTR			⊗ (1)(2)		⊗ (1)(2)						
Avdelok®			● (3)		Ⓞ (3)						

\* Utilize as mandíbulas PRG540-46 e o conjunto de pinças do grampo FAN276-064

\*\* Utilize as mandíbulas PRG540-46.

● É aplicável às ferramentas XT3 e XT4

⊗ É apenas aplicável à ferramenta XT3

Ⓞ É apenas aplicável à ferramenta XT4

(1) É necessário uma ponteira não padrão

(2) Está disponível um equipamento com ponteira alternativo

(3) É necessário um equipamento da ponteira não padrão.

Para obter uma lista completa do equipamento com ponteira para cada tipo de rebite, em conjunto com as instruções de montagem e manutenção, consulte o manual do equipamento com ponteira 07900-09414 da ProSet\*

### 2.3 CONTEÚDO DA EMBALAGEM

- 1 ferramenta de rebites cegos ProSet® XT3 ou XT4.
- 1 conjunto de equipamento com ponteira padrão\* e bocais para rebites de 4,8mm [3/16"] e de 6,4mm [1/4"].
- 1 manual de instruções impresso – varia consoante a região.

### 2.4 LISTA DOS COMPONENTES PRINCIPAIS

Consulte as figuras 1 e 2 e a tabela indicada abaixo.

Item	Número da peça	Descrição	Qtd.
1	76003 - 15000*	Equipamento com ponteira padrão	1
2	76003-02022	Gancho de suspensão	1
3	76003-05200	Colector de pregos	1
4	07001-00405	Bujão de óleo	1
5	07003-00194	Vedante	1
6	76003-02008	Gatilho	1
7	76003-03700	Válvula de abertura/fecho	1
8	71210-02103	Contraporca	1

### 2.5 EQUIPAMENTO COM PONTEIRA PADRÃO

Consulte a figura 2 e a tabela indicada abaixo.

Item	Número da peça	Descrição	Qtd.
1c	PRN614	Ponteira - 4,8 mm [3/16"] (instalada)	1
1d	PRN811	Ponteira - 6,4 mm [1/4"]	1
1e	76003-15001	Caixa da ponteira	1
1f	07003-00067	Junta tórica	1
1g	DPN276-001	Guia de mandíbula	1
1h	PRG540-44	Mandíbulas	1 conjunto
1i	DPN276-006	Pinça do grampo	1
1j	DPN900-060	Junta tórica	1
1k	DPN901-019	Mola das pinças do grampo	1
1l	76003-15002	Unidade de tracção	1
1m	76003-15004	Bloqueio da guia de mandíbula	1
1n	DPN901-020	Mola	1
1o	76003-15003	Adaptador da unidade de tracção	1
1p	07003-00277	Junta tórica	1

Para obter informações adicionais sobre o equipamento com ponteira, consulte o manual do equipamento com ponteira 07900-09414 da ProSet® ou visite [www.stanleyengineeredfastening.com/resource-center/document-library](http://www.stanleyengineeredfastening.com/resource-center/document-library)  
Para obter uma lista completa dos acessórios da ferramenta, consulte o manual de acessórios ProSet 07900-09415.

\* O equipamento com ponteira não é fornecido com a Ferramenta de base Proset XT3 (76003-01000) e a Ferramenta de base Proset XT4 (76004-01000).

### 3. CONFIGURAÇÃO DA FERRAMENTA

**IMPORTANTE: LEIA COM ATENÇÃO OS AVISOS DE SEGURANÇA INDICADOS NAS PÁGINAS 6 E 8 ANTES DA COLOCAÇÃO EM SERVIÇO.**

**IMPORTANTE - O FORNECIMENTO DE AR DEVE SER DESLIGADO ANTES DE INSTALAR OU REMOVER O CONJUNTO DA PONTEIRA.**

#### 3.1 EQUIPAMENTO COM PONTEIRA (Ref. Fig. 2)

Os números de item em negrito dizem respeito aos componentes indicados nas Figuras 1 e 2 e as tabelas na página 11.

A ferramenta completa é fornecida pré-montada com a ponteira para rebites de 4,8 mm [3/16"].

É fornecida em separado uma ponteira adicional para rebites de 6,4 mm [1/4"].

#### Montar a ponteira

- O fornecimento de ar deve ser desligado.
- Seleccione a ponteira correcta do rebite que pretende instalar.
- Retire a caixa da ponteira (**1e**), incluindo a ponteira (**1a, b, c ou d**) e a junta tórica (**1f**)
- Retire a ponteira (**1a, b, c ou d**) da caixa da ponteira (**1e**)
- Seleccione a ponteira com o tamanho adequado e monte-o pela ordem inversa.

#### Remover o equipamento com ponteira completo.

- O fornecimento de ar deve ser desligado.
- Retire a caixa da ponteira (**1e**), incluindo a ponteira (**1a, b, c ou d**) e a junta tórica (**1f**) da ferramenta.
- Puxe para trás o bloqueio da guia de mandíbula (**1m**) contra a mola (**1n**) e depois retire a guia de mandíbula (**1g**).
- Retire as mandíbulas (**1h**) da guia de mandíbula (**1g**).
- Retire a pinça do grampo (**1i**), junta tórica (**1j**) e a mola da pinça do grampo (**1k**), da unidade de tracção (**1l**).
- Retire o conjunto da unidade de tracção (**1q**) do pistão da ferramenta com a chave de fendas

#### Montar o equipamento com ponteira completo

- O fornecimento de ar deve ser desligado
- As peças gastas ou danificadas devem ser substituídas.
- Limpe e verifique se as mandíbulas estão gastas (**1h**).
- Certifique-se de que a pinça do grampo (**1i**) ou a mola da pinça do grampo (**k**) não estão distorcidas.
- Lubrifique ligeiramente as mandíbulas (**1h**) com massa lubrificante de lítio com molibdénio.
- Insira as mandíbulas (**1h**) na guia de mandíbula (**1g**).
- Insira a pinça do grampo (**1i**) e a junta tórica (**1j**) na unidade de tracção (**1l**).
- Puxe para trás o bloqueio da guia de mandíbula (**1m**) e aparafuse por completo a guia de mandíbula (**1g**) na unidade de tracção (**1l**).
- Liberte o bloqueio da guia de mandíbula (**1m**) e, em seguida, desaperte parcialmente a guia de mandíbula (**1g**) até o dente do bloqueio da guia de mandíbula (**1m**) encaixe na ranhura seguinte da guia de mandíbula (**1g**).
- Coloque a caixa da ponteira (**1e**) sobre a guia de mandíbula (**1g**) e aperte por completo na ferramenta.

Os conjuntos da ponteira devem ser reparados em intervalos semanais. Deve guardar uma parte dos componentes internos do conjunto da ponteira e das pontas da ponteira, porque vai ser necessário substituí-las com regularidade.

#### 3.2 FORNECIMENTO DE AR (Ref. Fig. 3.)

Componentes

- A. Válvula de paragem (utilizada durante a manutenção do filtro/regulador ou unidades de lubrificação)
- B. Regulador de pressão e filtro (drenagem diária)
- C. Ponto de drenagem do fornecimento principal
- D. Tomada de pressão do fornecimento principal

- Todas as ferramentas funcionam com ar comprimido a uma pressão mínima de 5,0 bar.
- Os reguladores de pressão e os sistemas de lubrificação/filtragem automáticos devem ser utilizados no fornecimento de ar principal a uma distância de 3 metros da ferramenta (consulte a Fig. 3).
- As mangueiras de fornecimento de ar devem ter um valor de pressão eficaz de trabalho mínima de 150% da pressão máxima produzida no sistema ou de 10 bar, a que for mais alta.
  
- As mangueiras de ar devem ser resistentes ao óleo, dispor de um revestimento exterior resistente à abrasão e protegidas caso as condições de funcionamento dêem origem a danos nas mangueiras.
- Todas as mangueiras de ar DEVEM ter um diâmetro interno mínimo de 6,4 milímetros.
- Verifique se existem fugas de ar. Se as mangueiras e acoplamentos apresentarem danos, deve substituí-los por peças novas.
- Se não estiver instalado um filtro no regulador de pressão, purgue a linha de ar para remover qualquer sujidade ou água acumuladas antes de ligar a mangueira de ar à ferramenta.

### 3.3 PRINCÍPIO DE FUNCIONAMENTO

**ATENÇÃO - UMA PRESSÃO DE FORNECIMENTO CORRECTA É IMPORTANTE PARA O FUNCIONAMENTO CORRECTO DA FERRAMENTA DE INSTALAÇÃO. PODEM OCORRER FERIMENTOS OU DANOS NO EQUIPAMENTO SE NÃO FOREM DEFINIDAS AS PRESSÕES CORRECTAS. A PRESSÃO DE FORNECIMENTO NÃO DEVE EXCEDER OS VALORES INDICADOS NAS ESPECIFICAÇÕES DA FERRAMENTA DE FIXAÇÃO**

Os números de item em negrito dizem respeito aos componentes indicados nas Figuras 1 e 2 e as tabelas na página 11.

Se a mangueira pneumática estiver ligada à ferramenta de fixação, os ciclos de tracção e retorno da ferramenta são controlados pela pressão e libertação do gatilho **(6)** localizado na pega.

- O fornecimento de ar é desligado.
- Ligue o equipamento com ponteira adequado, como descrito na página 10 e 12.
- Ligue a mangueira pneumática à válvula de abertura/fecho **(7)**.
- Ligue o fornecimento de ar principal da mangueira pneumática.
- Ligue o fornecimento principal à ferramenta deslizando a válvula de abertura/fecho de ar **(7)** para a posição virada para cima.
- O ar é fornecido à ferramenta e o sistema de vácuo está em funcionamento.
- Puxe e liberte o gatilho **(6)** algumas vezes até ao curso completo da ferramenta para verificar o funcionamento. Verifique o funcionamento da ferramenta. Verifique se existe fluido e/ou fugas de ar.

## **4. PROCEDIMENTO DE FUNCIONAMENTO**

### **4.1 FUNCIONAMENTO DA FERRAMENTA (Ref. Fig. 1, 4, 5, 6)**

#### **Instalar um rebite cego**

- Certifique-se de que o colector de pregos (3) está instalado.
- Insira o prego do rebite na ponteira (1a, b, c ou d). O sistema de vácuo mantém o rebite na ponteira.
- Coloque a ferramenta na posição pretenda.
- Certifique-se de que o equipamento com ponteira está no ângulo adequado (90°) em relação à peça.
- Prima e mantenha premido o gatilho (6) até o rebite ficar totalmente fixado na aplicação.
- Quando o rebite cego estiver fixado por completo, liberte o gatilho (6). A ferramenta volta automaticamente para a respectiva posição inicial. O prego é colocado automaticamente no colector de pregos (3) pelo sistema de vácuo.
- O colector de pregos deve ser esvaziado antes de ficar com metade da capacidade.

**ATENÇÃO – NÃO FORCE A INSERÇÃO DE UM PREGO DE REBITE OU DO CORPO DE UM REBITE. ISTO IRÁ CAUSAR DANOS NA FERRAMENTA E/OU NA APLICAÇÃO.**

### **4.2 Esvaziar o colector de pregos (Ref. Fig. 1)**

#### **ATENÇÃO - NÃO UTILIZE A FERRAMENTA SE TIVER REMOVIDO O COLECTOR DE PREGOS**

- A ferramenta está equipada com um colector de colocação/libertação rápida de pregos (3).
- O sistema de rotação de 60° remove ou substitua o colector de pregos.
- Retirar o colector de pregos (3) da ferramenta desliga automaticamente o sistema de vácuo de fixação e remoção de rebites.
- Se instalar de novo o colector de pregos, o sistema de vácuo é ligado.

## 5. ASSISTÊNCIA DA FERRAMENTA

### 5.1 FREQUÊNCIA DAS MANUTENÇÕES

A assistência periódica deve ser efectuada por pessoal com formação e deve ser efectuada uma inspecção rigorosa todos os anos ou a cada 500 000 ciclos, a que for mais cedo.



DESLIGAR O FORNECIMENTO DE AR



**ATENÇÃO** - *Nunca utilize solventes ou outros produtos químicos abrasivos para limpar as peças não metálicas da ferramenta.*

*Estes produtos químicos podem enfraquecer os materiais utilizados nestas peças.*

### 5.2 EQUIPAMENTO DA PONTEIRA

Os conjuntos da ponteira têm de ser reparados em intervalos semanais ou a cada 5000 ciclos. Guarde uma parte dos componentes internos do conjunto da ponteira e das ponteiras, porque vai ser necessário substituí-las com regularidade.

- Desligue o fornecimento de ar
- Retire todo o conjunto da ponteira de acordo com o procedimento descrito na secção 3.1.
- Inspeccione todos os componentes. As peças gastas ou danificadas devem ser substituídas por novas.
- Verifique em especial o desgaste das mandíbulas (**1h**).
- Limpe todas as peças e aplique massa lubrificante de lítio com molibdénio (07992-00020) nas mandíbulas (**1h**) e o casquilho cónico da guia da mandíbula (**1g**).
- Efectue a montagem de acordo com as instruções de instalação indicadas na secção 3.1.

### 5.3 ASSISTÊNCIA DIÁRIA

- Antes de utilizar, verifique se a ferramenta, a mangueira e os acoplamentos apresentam fugas de ar e de óleo. Se apresentar danos, deixe de utilizar a ferramenta e substitua as peças afectadas por novas peças.
- Se não estiver instalado um filtro no regulador de pressão, purgue a linha de ar para remover qualquer sujidade ou água acumuladas antes de ligar a mangueira de ar à ferramenta. Se tiver um filtro, faça a drenagem.
- Verifique se o equipamento da ponteira (**1**) é adequado para o rebite que pretende colocar e se está instalado correctamente.
- Verifique se o curso da ferramenta está de acordo com as especificações mínimas (ref. 2.1).
- O colector de pregos (**3**) deve ser instalado na ferramenta.
- Verifique se a câmara de ar está totalmente apertado no corpo da ferramenta.

### 5.4 ASSISTÊNCIA SEMANAL

- Verifique se a ferramenta, a mangueira e os acoplamentos apresentam fugas de ar e de óleo. Se apresentar danos, deixe de utilizar a ferramenta e substitua as peças afectadas por novas peças.

Para obter instruções completas sobre assistência, resolução de problemas e manutenção, consulte o manual de assistência

n.º 07900-09410 para o modelo XT3 e 07900-09411 para o modelo XT4.

Para obter dados de segurança sobre a massa lubrificante e o óleo utilizados nesta ferramenta, consulte o manual de assistência n.º 07900-09410 para o modelo XT3 e o 07900-09411 para o modelo XT4.

### 5.5 PROTECÇÃO DO AMBIENTE

Assegure a conformidade com a regulamentação de eliminação aplicáveis. Deite todos os resíduos numa instalação ou depósito de resíduos aprovado para não expor os técnicos e o ambiente a riscos.



## 6. DECLARAÇÃO CE DE CONFORMIDADE

### Original

Nós, a **Avdel UK Limited; Stanley House, Works Road, Letchworth Garden City, Hertfordshire, SG6 1JY REINO UNIDO**, declaramos sob nossa inteira responsabilidade que o produto:

<b>Descrição</b>	Ferramentas hidro-pneumáticas ProSet® XT3 e ProSet® XT4 para rebites cegos
<b>Marca/modelo</b>	POP-Avdel®/76003 e POP-Avdel®/76004
<b>N.º de série</b>	

ao qual esta declaração se refere está em conformidade com a seguinte norma:

ISO 12100:2010	EN ISO 3744:2010
EN ISO 11202:2010	EN ISO 11148-1:2011
EN ISO 4413:2010	BS EN 28662-1:1993
EN ISO 4414:2010	EN ISO 20643:2008+A1:2012
EN ISO 28927-5:2009/A1:2015	

A documentação técnica é compilada de acordo com o Anexo 1, secção 1.7.4.1, em conformidade com a seguinte Directiva:

### 2006/42/CE Directiva "Máquinas"


Instrumentos Estatutários no Reino Unido 2008 n.º 1597 - Fornecimento de regras (de segurança) de máquinas.

### A. K. Seewraj

#### Director de Tecnologia – Fixação cego da UE

Avdel UK Limited; Stanley House, Works Road, Letchworth Garden City,  
Hertfordshire, SG6 1JY REINO UNIDO

Assinatura



Local de emissão **Letchworth Garden City**

Data de emissão **03/01/2017**



Esta máquina está em conformidade com a Directiva "Máquinas" 2006/42/CE.

## 7. PROTEJA O SEU INVESTIMENTO!

### 7.1 GARANTIA DA FERRAMENTA DE REBITES CEGOS POP®AVDEL®

A STANLEY Engineered Fastening garante que todas as ferramentas foram fabricadas e não apresentam quaisquer defeitos em termos de material e mão-de-obra em condições de utilização normal e serviço durante o período de um (1) ano.

Esta garantia aplica-se ao comprador da ferramenta apenas para utilização original.

#### **Exclusões:**

##### **Desgaste normal.**

A manutenção periódica, a reparação e as peças sobresselentes sujeitas a desgaste normal estão excluídas da cobertura.

##### **Abuso e uso indevido.**

Os defeitos ou danos que resultem do funcionamento incorrecto, armazenamento, uso indevido ou abuso, como os danos físicos, estão excluídos da cobertura.

##### **Assistência ou modificação não autorizadas.**

Os defeitos ou danos que resultem da assistência, ajuste de teste, instalação, manutenção, alteração ou modificação por qualquer forma por qualquer pessoa que não seja a STANLEY Engineered Fastening, ou os respetivos centros de assistência autorizados, estão excluídos da cobertura.

Todas as outras garantias, expressas ou implícitas, incluindo quaisquer garantias de mercantilidade ou adequação à finalidade estão excluídas.

Se esta ferramenta não estiver em conformidade com a garantia, envie a ferramenta de imediato para o nosso centro de assistência autorizado mais próximo de si. Para obter uma lista dos centros de assistência autorizados da POP® Avdel® nos E.U.A. ou Canadá, contacte-nos através do nosso número de telefone gratuito: (877)364 2781.

Se não estiver nos E.U.A. e do Canadá, visite o nosso Website [www.StanleyEngineeredFastening.com](http://www.StanleyEngineeredFastening.com) para encontrar o centro mais próximo da STANLEY Engineered Fastening.

A STANLEY Engineered Fastening irá substituir gratuitamente quaisquer peças que considerarmos defeituosas devido a material ou mão-de-obra defeituosa, e devolva a ferramenta pré-paga. Isto representa a nossa única obrigação no que respeita a esta garantia.

Em nenhuma circunstância a STANLEY Engineered Fastening será responsável por quaisquer danos consequenciais ou especiais resultantes da compra ou utilização desta ferramenta.

### 7.2 REGISTE A SUA FERRAMENTA DE REBITES CEGOS ONLINE.

Para registar a sua garantia online, visite -nos em

<http://www.stanleyengineeredfastening.com/popavdel-powertools/warranty-card>.

Obrigado por ter escolhido uma ferramenta POP®Avdel® da STANLEY Engineered Fastening.



©2017 Stanley Black & Decker inc.

Wszelkie prawa zastrzeżone.

Przedstawionych tutaj informacji nie wolno reprodukowac ani upubliczniać w żaden sposób i żadnymi środkami (elektronicznymi lub mechanicznymi) bez uprzedniej wyraźnej pisemnej zgody STANLEY Engineered Fastening. Przedstawione informacje są oparte o dane znane w momencie wprowadzenia produktu. STANLEY Engineered Fastening stosuje politykę ciągłego doskonalenia produktów, dlatego produkty mogą podlegać zmianie. Informacje przedstawione w niniejszym dokumencie dotyczą produktu dostarczonego przez STANLEY Engineered Fastening. Z tej przyczyny firma STANLEY Engineered Fastening nie ponosi odpowiedzialności za żadne szkody wynikające z modyfikacji oryginalnych danych technicznych produktu.

Dołożono wszelkich starań, aby informacje zawarte w niniejszym dokumencie były odpowiednie. Mimo tego, STANLEY Engineered Fastening nie ponosi odpowiedzialności za żadne błędy dotyczące treści ani ich konsekwencje. STANLEY Engineered Fastening nie ponosi odpowiedzialności za szkody spowodowane działaniem osób trzecich. Nazwy robocze, nazwy handlowe, zarejestrowane znaki towarowe itp. stosowane przez STANLEY Engineered Fastening stanowią własność odpowiednich właścicieli zgodnie z prawodawstwem dotyczącym ochrony znaków towarowych.

## SPIS TREŚCI

<b>1.</b>	<b>DEFINICJE DOTYCZĄCE BEZPIECZEŃSTWA .....</b>	<b>2</b>
1.1	OGÓLNE ZASADY BEZPIECZEŃSTWA .....	2
1.2	ZAGROŻENIA ZWIĄZANE Z WYRZUCONYMI W POWIETRZE ELEMENTAMI .....	2
1.3	ZAGROŻENIA ZWIĄZANE Z OBSŁUGĄ .....	3
1.4	ZAGROŻENIA ZWIĄZANE Z POWTARZALNYMI RUCHAMI .....	3
1.5	ZAGROŻENIA ZWIĄZANE Z AKCESORIAMI .....	3
1.6	ZAGROŻENIA ZWIĄZANE Z MIEJSCEM PRACY .....	4
1.7	ZAGROŻENIA ZWIĄZANE Z HAŁASEM .....	4
1.8	ZAGROŻENIA ZWIĄZANE Z DRGANIAMI .....	4
1.9	DODATKOWE INSTRUKCJE BEZPIECZEŃSTWA DOTYCZĄCE ELEKTRONARZĘDZI PNEUMATYCZNYCH .....	4
<b>2.</b>	<b>DANE TECHNICZNE .....</b>	<b>5</b>
2.1.	DANE TECHNICZNE NARZĘDZIA .....	5
2.2	DANE TECHNICZNE DOTYCZĄCE INSTALACJI ELEMENTÓW ZŁĄCZNYCH.....	6
2.3	ZAWARTOŚĆ OPAKOWANIA .....	7
2.4	LISTA GŁÓWNYCH KOMPONENTÓW .....	7
2.5	STANDARDOWY OSPRZĘT ZESPOŁU GŁOWICY PRZEDNIEJ .....	7
<b>3.</b>	<b>PRZYGOTOWANIE NARZĘDZIA .....</b>	<b>8</b>
3.1	ZESPÓŁ GŁOWICY PRZEDNIEJ (Patrz rys. 2).....	8
3.2	DOPŁYW POWIETRZA (Patrz rys. 3).....	8
3.3	ZASADA DZIAŁANIA .....	9
<b>4.</b>	<b>PROCEDURA OBSŁUGI.....</b>	<b>10</b>
4.1	OBSŁUGA NARZĘDZIA (Patrz rys. 1, 4, 5, 6).....	10
4.2	OPRÓŻNIANIE KOLEKTORA TRZPIENI (Patrz rys. 1).....	10
<b>5.</b>	<b>SERWISOWANIE NARZĘDZIA .....</b>	<b>11</b>
5.1	CZĘSTOTLIWOŚĆ KONSERWACJI.....	11
5.2	ZESPÓŁ GŁOWICY PRZEDNIEJ .....	11
5.3	CODZIENNY SERWIS .....	11
5.4	COTYGDNIOWY SERWIS .....	11
5.5	OCHRONA ŚRODOWISKA .....	11
<b>6.</b>	<b>DEKLARACJA ZGODNOŚCI WE.....</b>	<b>12</b>
<b>7.</b>	<b>CHROŃ SWOJĄ INWESTYCJĘ! .....</b>	<b>13</b>
7.1	GWARANCJA NA NITOWNICĘ DO NITÓW ZRYWALNYCH POP®AVDEL® .....	13
7.2	ZAREJESTRUJ SWOJĄ NITOWNICĘ DO NITÓW ZRYWALNYCH W INTERNECIE.....	13



Niniejszą instrukcję muszą przeczytać wszystkie osoby instalujące lub obsługujące to narzędzie, poświęcając szczególną uwagę poniższym zasadom bezpieczeństwa.



Podczas użytkowania narzędzia należy zawsze stosować okulary ochronne odporne na uderzenia. Klasa wymaganej ochrony powinna być oceniana niezależnie przy każdym użyciu.



Środki ochrony słuchu należy wykorzystywać zgodnie z instrukcjami pracodawcy oraz zgodnie z przepisami bezpieczeństwa i higieny pracy.



Użytkowanie narzędzia może narazić dłonie operatora na zagrożenia, w tym na zmiżdżenia, uderzenia, przecięcia, obtarcia i poparzenia. Stosować odpowiednie rękawice do ochrony dłoni.

## 1. DEFINICJE DOTYCZĄCE BEZPIECZEŃSTWA

Podane poniżej definicje określają stopień zagrożenia oznaczony danym słowem. Proszę przeczytać instrukcję i zwracać uwagę na te symbole.



**NIEBEZPIECZEŃSTWO:** Oznacza natychmiastowo niebezpieczną sytuację, która, jeśli jej się nie uniknie, spowoduje śmierć lub poważne obrażenia ciała.



**OSTRZEŻENIE:** Oznacza potencjalnie niebezpieczną sytuację, która, jeśli jej się nie uniknie, może spowodować śmierć lub poważne obrażenia ciała.



**PRZESTROGA:** Oznacza potencjalnie niebezpieczną sytuację, która, jeśli jej się nie uniknie, może spowodować miernego lub średniego stopnia obrażenia ciała.

**PRZESTROGA:** Stosowana bez symbolu ostrzeżenia oznacza potencjalnie niebezpieczną sytuację, która, jeśli jej się nie uniknie, może spowodować uszkodzenie mienia.

***Błędna eksploatacja lub konserwacja tego produktu może powodować poważne obrażenia ciała i uszkodzenie mienia.***

***Należy przeczytać uważnie wszystkie ostrzeżenia i całość instrukcji obsługi przed rozpoczęciem użytkowania narzędzia. Podczas użytkowania elektronarzędzi zawsze powinno się postępować zgodnie z podstawowymi zasadami bezpieczeństwa, aby zmniejszyć ryzyko obrażeń ciała.***

### ZACHOWAĆ WSZYSTKIE OSTRZEŻENIA I INSTRUKCJE

#### 1.1 OGÓLNE ZASADY BEZPIECZEŃSTWA

- W przypadku wielu zagrożeń, należy przeczytać i zrozumieć instrukcje dotyczące bezpieczeństwa przed instalacją, obsługą, naprawą, konserwacją, zmianą akcesoriów lub pracą w pobliżu narzędzia. W przeciwnym razie może dojść do poważnych obrażeń ciała.
- Narzędzie mogą instalować, regulować i używać wyłącznie wykwalifikowani i przeszkoleni operatorzy.
- Nie stosować niezgodnie z przeznaczeniem, które polega na mocowaniu nitów zrywalnych STANLEY Engineered Fastening.
- Stosować jedynie części, elementy złączne i akcesoria zalecane przez producenta.
- NIE modyfikować narzędzia. Modyfikacje mogą ograniczyć skuteczność zabezpieczeń i zwiększyć ryzyko dla operatora. Za wszelkie modyfikacje narzędzia wykonane przez klienta odpowiada wyłącznie klient. Wszelkie modyfikacje powodują unieważnienie wszelkich gwarancji.
- Nie wyrzucać instrukcji dotyczących bezpieczeństwa, lecz przekazać je operatorowi.
- Nie używać uszkodzonego narzędzia.
- Przed użyciem sprawdzić części ruchome pod kątem błędnego ustawienia, uszkodzenia części oraz każdego innego nieprawidłowego stanu, który może mieć wpływ na funkcjonowanie narzędzia. Jeśli narzędzie jest uszkodzone, przed ponownym użyciem przekazać je do naprawy. Przed użyciem zdemontować wszelkie klucze regulacyjne.
- Narzędzia należy okresowo sprawdzać, aby sprawdzić, czy symbole i oznaczenia wymagane przez odpowiednią część ISO 11148 są czytelne na narzędziu. Pracodawca/użytkownik musi skontaktować się z producentem w celu uzyskania zamiennych oznaczeń w razie potrzeby.
- Przeszkolony personel musi utrzymywać narzędzie w bezpiecznym stanie technicznym przez cały czas i regularnie sprawdzać je pod kątem uszkodzeń i prawidłowego działania. Demontaż może przeprowadzać jedynie przeszkolony personel. Nie demontować tego narzędzia bez wcześniejszego zapoznania się z instrukcją konserwacji.

#### 1.2 ZAGROŻENIA ZWIĄZANE Z WYRZUCONYMI W POWIETRZE ELEMENTAMI

- Odłączyć dopływ powietrza od narzędzia przed rozpoczęciem jakichkolwiek prac konserwacyjnych, prób regulacji, montażu lub demontażu zespołu głowicy przedniej.

- Pamiętać, że awaria obrabianego elementu lub akcesoriów, a nawet samego włożonego narzędzia, może spowodować wyrzucenie elementów w powietrze z wysoką prędkością.
- Podczas użytkowania narzędzia należy zawsze stosować okulary ochronne odporne na uderzenia. Klasa wymaganej ochrony powinna być oceniana niezależnie przy każdym użyciu.
- W tym momencie należy ocenić zagrożenia dla innych osób.
- Należy się upewnić, że obrabiany element jest odpowiednio zamocowany.
- Sprawdzić, czy środek ochrony przed wyrzuceniem elementu złącznego i/lub trzpienia jest zamontowany i sprawny.
- NIE używać narzędzia bez zamontowanego kolektora trzpieni.
- Ostrzec przed ewentualnym wyrzuceniem trzpieni z dużą siłą z przodu narzędzia.
- NIE obsługiwać narzędzia skierowanego w stronę osoby (osób).

### **1.3 ZAGROŻENIA ZWIĄZANE Z OBSŁUGĄ**

- Użytkowanie narzędzia może narazić dłoń operatora na zagrożenia, w tym na zmiążdżenia, uderzenia, przecięcia, obtarcia i poparzenia. Stosować odpowiednie rękawice do ochrony dłoni.
- Operatorzy oraz personel dokonujący konserwacji muszą być zdolni fizycznie do obsługi wielkości, ciężaru i mocy narzędzia.
- Narzędzie należy trzymać prawidłowo; należy być gotowym na reagowanie na normalne lub nagłe ruchy — obie ręce muszą być w gotowości.
- Utrzymywać uchwyty narzędzia w stanie suchym, czystym i wolnym od oleju i smaru.
- Należy zachować równowagę ciała i stać stabilnie podczas obsługi narzędzia.
- Zwołnić urządzenie zatrzymujące i uruchamiające w razie przerwy w zasilaniu hydraulicznym.
- Używać wyłącznie środków smarnych zalecanych przez producenta.
- Unikać styczności z płynem hydraulicznym. Aby ograniczyć ryzyko wystąpienia wysypki, koniecznie dołącznie wypłukać miejsce styczności.  
Karty charakterystyki dla wszystkich olejów hydraulicznych i smarów są dostępne na żądanie u dostawcy narzędzi.
- Unikać nieodpowiednich pozycji ciała, ponieważ mogą one nie pozwalać na zareagowanie na normalny lub nieoczekiwany ruch narzędzia.
- Jeśli narzędzie jest podwieszane, dopilnować, aby było solidnie zamocowane.
- Uważać na ryzyko zmiążdżenia lub ściśnięcia, gdy zespół głowicy przedniej nie jest zamocowany.
- NIE obsługiwać narzędzia ze zdjętą obudową zespołu głowicy przedniej.
- Przed przejściem dalej zapewnić odpowiedni odstęp dla rąk operatora narzędzia.
- Podczas przenoszenia narzędzia z miejsca na miejsce trzymać ręce z dala od spustu, aby uniknąć niezamierzonego uruchomienia.
- NIE upuszczać narzędzia ani nie używać go jako młotka.
- Dopilnować, aby zużyte trzpienie nie stanowiły zagrożenia.
- Kolektor trzpieni opróżniać, gdy będzie napełniony do około połowy.

### **1.4 ZAGROŻENIA ZWIĄZANE Z POWTARZALNYMI RUCHAMI**

- Podczas użytkowania elektronarzędzia może wystąpić uczucie dyskomfortu w dłoniach, ramionach, barkach, szyi lub innych częściach ciała operatora.
- Podczas korzystania z narzędzia operator powinien przyjąć wygodną pozycję ciała, jednocześnie utrzymując solidne podparcie stóp oraz unikać nietypowych i niezapewniających równowagi pozycji. Operator powinien zmieniać pozycję ciała podczas wykonywania długich zadań. Może to pomóc w uniknięciu uczucia dyskomfortu oraz zmęczenia.
- W przypadku wystąpienia objawów, takich jak trwałe lub nawracające uczucie dyskomfortu, ból, pulsowanie, drętwienie, bezwład, pieczenie lub sztywność, nie należy ignorować tych sygnałów ostrzegawczych. Operator musi natychmiast powiadomić o tym pracodawcę i zasięgnąć porady lekarza.

### **1.5 ZAGROŻENIA ZWIĄZANE Z AKCESORIAMI**

- Odłączyć narzędzie od dopływu powietrza przed zamontowaniem lub zdjęciem zespołu głowicy przedniej lub akcesorium.
- Używać wyłącznie akcesoriów i materiałów eksploatacyjnych o rozmiarach i typów zalecanych przez producenta narzędzia. Nie używać akcesoriów ani materiałów eksploatacyjnych innych rozmiarów i typów.

### **1.6 ZAGROŻENIA ZWIĄZANE Z MIEJSCEM PRACY**

- Głównymi przyczynami obrażeń ciała w miejscu pracy są poślizgnięcia się, potknięcia i upadki. Uważać na śliskie powierzchnie powstałe w wyniku użytkowania narzędzia i pamiętać o zagrożeniu upadkiem w wyniku potknięcia się o przewód powietrzny lub wąż hydrauliczny.
- W nieznanym otoczeniu należy postępować ostrożnie. Mogą występować ukryte niebezpieczeństwa, takie jak przewody elektryczne lub innego typu.
- Narzędzie nie jest przeznaczone do użytku w potencjalnie wybuchowej atmosferze oraz nie posiada izolacji chroniącej w przypadku zetknięcia się z zasilaniem elektrycznym.
- Należy się upewnić, że w miejscu pracy nie występują przewody elektryczne, rury z gazem itp., które mogą stanowić zagrożenie w przypadku uszkodzenia ich przez narzędzie.
- Należy ubrać się odpowiednio. Nie zakładać luźnych ubrań ani biżuterii. Włosy, ubranie i rękawice trzymać z dala od ruchomych części. Luźne ubranie, biżuteria lub włosy mogą zostać wciągnięte przez ruchome części.
- Dopilnować, aby zużyte trzpienie nie stanowiły zagrożenia.

### **1.7 ZAGROŻENIA ZWIĄZANE Z HAŁASEM**

- Narażenie na wysokie poziomy hałasu może spowodować trwałą utratę słuchu i inne problemy, takie jak szumy uszne (dzwonienie, brzęczenie, świst lub szum w uszach). Dlatego bardzo ważna jest ocena ryzyka i wdrożenie odpowiednich środków ochrony przed tymi zagrożeniami.
- Odpowiednie środki ochrony mogą obejmować podjęcie kroków, takich jak zastosowanie materiałów tłumiących, aby obrabiane elementy nie „dzwoniły”.
- Środki ochrony słuchu należy wykorzystywać zgodnie z instrukcjami pracodawcy oraz zgodnie z przepisami bezpieczeństwa i higieny pracy.
- Obsługiwać i konserwować narzędzie zgodnie z zaleceniami w instrukcji obsługi, aby zapobiec niepotrzebnemu zwiększeniu poziomu hałasu.
- Dopilnować, aby tłumik w kolektorze trzpieni był zamocowany i sprawny podczas eksploatacji narzędzia.

### **1.8 ZAGROŻENIA ZWIĄZANE Z DRGANIAMI**

- Narażenie na drgania może spowodować uszkodzenie nerwów i naczyń krwionośnych w dłoniach i rękach.
- Podczas pracy w zimnych warunkach należy założyć ciepłą odzież, a dłonie utrzymywać ciepłe i suche.
- Jeśli w palach lub dłoniach pojawi się uczucie drętwienia, pulsowania lub bólu, lub też skóra będzie bieleć, należy zaprzestać użytkowania narzędzia, powiadomić pracodawcę o zaistniałej sytuacji i zasięgnąć porady lekarza.
- Jeśli to możliwe, opierać ciężar narzędzia na stojaku, elemencie napinającym lub wyważającym, ponieważ wtedy narzędzia nie trzeba trzymać tak mocno.

### **1.9 DODATKOWE INSTRUKCJE BEZPIECZEŃSTWA DOTYCZĄCE ELEKTRONARZĘDZI PNEUMATYCZNYCH**

- Ciśnienie dopływu powietrza roboczego nie może przekraczać 7 barów (100 PSI).
- Powietrze pod ciśnieniem może spowodować poważne obrażenia ciała.
- Nigdy nie pozostawiać włączonego narzędzia bez nadzoru. Odłączyć wąż powietrzny od narzędzia, gdy narzędzie nie jest w użytku, przed zmianą akcesoriów lub na czas wykonywania napraw.
- NIE kierować otworu wylotowego powietrza na kolektorze trzpieni na operatora ani inne osoby. Nigdy nie kierować strumienia powietrza na siebie ani inne osoby.
- Uderzający jak bicz i podskakujący wąż może spowodować poważne obrażenia ciała. Zawsze sprawdzać pod kątem uszkodzonych lub luźnych węży i złączy.
- Przed użyciem sprawdzić przewody powietrzne pod kątem uszkodzeń. Wszystkie złącza muszą być dobrze zamocowane. Nie upuszczać ciężkich przedmiotów na węże. Silne uderzenie może spowodować uszkodzenia wewnętrzne i prowadzić do przedwczesnej usterki węża.
- Kierować zimne powietrze z dala od dłoni.
- Kiedykolwiek korzysta się z uniwersalnych złączy wkręcanych, należy zamontować zawleczki zabezpieczające i korzystać z linek zabezpieczających przed biciem węża, aby chronić się w razie awarii połączenia z węzłem z narzędziem lub węża z węzłem.
- NIE podnosić narzędzia za wąż. Zawsze używać uchwytu narzędzia.
- Chronić otwory wentylacyjne przed zatkaniami lub zasłonięciem.
- Chronić układ hydrauliczny narzędzia przed zanieczyszczeniami i ciałami obcymi, ponieważ mogą one spowodować usterkę narzędzia.

**Firma STANLEY Engineered Fastening stosuje politykę ciągłego doskonalenia produktów i zastrzega sobie prawo do zmiany danych technicznych produktu bez uprzedzenia.**

## 2. DANETECHNICZNE

ProSet® XT3 i XT4 to narzędzia pneumatyczno-hydrauliczne przeznaczone do instalacji nitów zrywalnych Stanley Engineered Fastening z wysoką prędkością. Narzędzia są wyposażone w próżniowy układ do trzymania nitów i bezproblemowego zbierania zużytych trzpieni, niezależnie od orientacji narzędzia.

Po połączeniu z właściwym osprzętem zespołu głowicy przedniej nitownicy ProSet® XT3 i XT4 mogą być stosowane do mocowania nitów zrywalnych o średnicy od  $\varnothing$  4,0 mm do  $\varnothing$  6,4 mm. Skorzystaj z tabeli na stronie 10, aby uzyskać listę wszystkich obsługiwanych nitów zrywalnych.

Należy zawsze przestrzegać ostrzeżeń dotyczących bezpieczeństwa ze stron 2 i 4.

**NIE** używać w obecności wody ani łatwopalnych płynów lub gazów.

### 2.1. DANETECHNICZNE NARZĘDZIA

	XT3		XT4	
<b>Siła zaciągania:</b> Przy 5,5 barach	17,0 kN	3822 lbf	23,0 kN	5193 lbf
<b>Ciśnienie doprowadzania powietrza:</b> Od min. do maks.	5,0 - 7,0 barów	72,5 - 101,5 lbf/in <sup>2</sup>	5,0 - 7,0 barów	72,5 - 101,5 lbf/in <sup>2</sup>
<b>Ciśnienie oleju:</b> Zaciąganie przy 5,5 barach	290 barów	4206 lbf/in <sup>2</sup>	395 barów	5729 lbf/in <sup>2</sup>
<b>Skok:</b> Minimalny skok tłoka	26,0 mm	1,02 cala.	18,0 mm	0,91 cala.
<b>Ciężar:</b> Wliczając zespół głowicy przedniej	2,24 kg	4,94 lb	2,26 kg	4,98 lb
<b>Ciężar:</b> bez zespołu głowicy przedniej	2,00 kg	4,41 lb	2,02 kg	4,41 lb
<b>Objętość powietrza atmosferycznego:</b> Przy 5,5 barach	6,3 l	384,4 cali <sup>3</sup>	6,3 l	384,4 cali <sup>3</sup>
<b>Czas cyklu:</b> W przybliżeniu	0,9 sekundy		1,0 sekundy	

<b>Wartości hałasu określono zgodnie z testami z norm ISO 15744 i ISO 3744.</b>		XT3	XT4
Skorygowany charakterystyką A poziom mocy akustycznej dB(A), $L_{WA}$	Niepewność pomiaru hałasu: $k_{WA} = 3,0$ dB(A)	90,3 dB(A)	89,7 dB(A)
Poziom emitowanego ciśnienia akustycznego na stanowiskach pracy skorygowanego charakterystyką A dB(A), $L_{pA}$	Niepewność pomiaru hałasu: $k_{pA} = 3,0$ dB(A)	79,3 dB(A)	78,7 dB(A)
Szczytowy poziom emisji ciśnienia akustycznego skorygowanego charakterystyką C dB(C), $L_{pC}$ /SZ-cytowe	Niepewność pomiaru hałasu: $k_{pC} = 3,0$ dB(C)	82,7 dB(C)	81,5 dB(A)

<b>Wartości drgań określono zgodnie z testami drgań z norm ISO 20643 i ISO 5349.</b>		XT3	XT4
Poziom emisji drgań, $a_{hd}$ :		1,41 m/s <sup>2</sup>	1,80 m/s <sup>2</sup>
Niepewność pomiaru drgań: k		0,70 m/s <sup>2</sup>	0,90 m/s <sup>2</sup>
Deklarowane wartości emisji drgań zgodnie z EN 12096			



## 2.2 DANE TECHNICZNE DOTYCZĄCE INSTALACJI ELEMENTÓW ZŁĄCZNYCH

Typ nita	Średnica nita zrywalnego w mm [cale]										
	4 [5/32]	4,3	4,8 [3/16]	6	6,4 [1/4]	7	8	9	10	11	12
Nit zrywalny otwarty	●*		●**		●						
Nit zrywalny zamknięty	●*		●**		●						
HR	●*		●		●						
HS					● (3)						
Multi-Grip	●*		●**		●						
TL	●*		●								
Nit T (Emhart)	●*		●		●						
Self-Pluggger	●*		●		●						
Ultra Grip (UG) (NPR)					⊗ (3)						
CD					● (3)						
Avex®	● (2)		● (2)		● (2)						
Stavex®	● (2)		● (2)		● (1)(3)						
Avinox®/ Avibulb®	● (2)		● (2)	● (2)							
Avinox®XT / Avibulb®XT					● (1)(3)						
LSR/Bulbex®	● (2)		● (2)								
T-Lok®		● (2)	● (2)								
Avdel® SR	● (2)		● (2)		● (2)						
Hemlok®					● (1)(3)						
Interlock®			⊗ (2)		⊗ (1)(3)						
Maxlok®			● (3)		Ⓜ (3)						
Monobolt®			⊗ (1)(2)		⊗ (1)(3)						
Avtainer®									Ⓜ (1)(3)		
Avseal® (STD)				● (1)(3)		● (1)(3)	● (1)(3)	● (1)(3)	Ⓜ (1)(3)		
Avseal® (niskie ciśnienie)							● (1)(3)	● (1)(3)	● (1)(3)	Ⓜ (1)(3)	Ⓜ (1)(3)
Nit Q	● (2)		● (2)		● (2)						
Nit T (Avdel)			● (1)(2)		● (1)(2)						
Avdelmate®			● (2)		● (2)						
Klamp-Tite® BAPK			⊗ (2)		⊗ (2)						
Klamp-Tite® BAPKTR			⊗ (1)(2)		⊗ (1)(2)						
Avdelok®			● (3)		Ⓜ (3)						

\* Używać szczęk PRG540-46 i zespołu popychacza szczęk FAN276-064

\*\* Używać szczęk PRG540-46.

● Dotyczy obu narzędzi: XT3 i XT4

⊗ Dotyczy wyłącznie narzędzia XT3

Ⓜ Dotyczy wyłącznie narzędzia XT4

(1) Wymagany niestandardowy zespół głowicy przedniej

(2) Dostępny osprzęt zespołu głowicy przedniej alternatywnego typu

(3) Wymagany niestandardowy osprzęt zespołu głowicy przedniej.

Aby uzyskać pełną listę zgodnego osprzętu zespołu głowicy przedniej dla poszczególnych typów nitów zrywalnych, wraz z instrukcją montażu i konserwacji, skorzystań z instrukcji osprzętu zespołu głowicy przedniej ProSet® 07900-09414

### 2.3 ZAWARTOŚĆ OPAKOWANIA

- 1 nitownica do nitów zrywalnych ProSet® XT3 lub XT4.
- 1 zestaw standardowego osprzętu zespołu głowicy przedniej oraz zespołów głowic przednich do nitów zrywalnych 4,8 mm [3/16"] oraz 6,4 mm [1/4"].
- 1 Wydrukowana instrukcja obsługi - w zależności do regionu.

### 2.4 LISTA GŁÓWNYCH KOMPONENTÓW

Skorzystań z rysunków 1 i 2 oraz tabeli poniżej.

Pozycja	Numer części	Opis	Liczba sztuk
1	76003-15000*	Standardowy zespół głowicy przedniej	1
2	76003-02022	Hak do wieszania	1
3	76003-05200	Kolektor trzpieni	1
4	07001-00405	Przyłącze oleju	1
5	07003-00194	Uszczelka	1
6	76003-02008	Włącznik spustowy	1
7	76003-03700	Zawór włączający/wyłączający	1
8	71210-02103	Nakrętka zabezpieczająca	1

### 2.5 STANDARDOWY OSPRZĘT ZESPOŁU GŁOWICY PRZEDNIEJ

Skorzystań z rysunku 2 oraz tabeli poniżej.

Pozycja	Numer części	Opis	Liczba sztuk
1c	PRN614	Końcówka nosowa - 4,8 mm [3/16"] (zamontowana)	1
1d	PRN811	Końcówka nosowa - 6,4 mm [1/4"]	1
1e	76003-15001	Obudowa zespołu głowicy przedniej	1
1f	07003-00067	Pierścień uszczelniający	1
1g	DPN276-001	Prowadnica szczęk	1
1h	PRG540-44	Szczęki	1 zestaw
1i	DPN276-006	Popychacz szczęk	1
1j	DPN900-060	Pierścień uszczelniający	1
1k	DPN901-019	Sprężyna popychacza szczęk	1
1l	76003-15002	Głowica zaciągająca	1
1m	76003-15004	Blokada prowadnicy szczęk	1
1n	DPN901-020	Sprężyna	1
1o	76003-15003	Adapter głowicy zaciągającej	1
1p	07003-00277	Pierścień uszczelniający	1

Aby uzyskać dodatkowy zespół głowicy przedniej, skorzystań z instrukcji zespołu głowicy przedniej ProSet® 07900-09414 lub wejść na stronę

[www.stanleyengineeredfastening.com/resource-center/document-library](http://www.stanleyengineeredfastening.com/resource-center/document-library)

Aby uzyskać pełną listę akcesoriów narzędzia, skorzystań z instrukcji akcesoriów ProSet 07900-09415.

\* Zespół głowicy przedniej nie jest dołączony do podstawowego narzędzia Proset XT3 (76003-01000) ani podstawowego narzędzia Proset XT4 (76004-01000).

### 3. PRZYGOTOWANIE NARZĘDZIA

**WAŻNE - UWAGNIE PRZECZYTAĆ OSTRZEŻENIA DOTYCZĄCE BEZPIECZEŃSTWA NA STR. 6 I 8 PRZED ROZPOCZĘCIEM EKSPLOATACJI.**

**WAŻNE - DOPŁYW POWIETRZA MUSI BYĆ WYŁĄCZONY LUB ODŁĄCZONY PRZED ZAMONTOWANIEM LUB ZDEMONTOWANIEM ZESPOŁU GŁOWICY PRZEDNIEJ.**

#### 3.1 ZESPÓŁ GŁOWICY PRZEDNIEJ (Patrz rys. 2)

Wytłuszczone numery pozycji odnoszą się do komponentów na rysunkach 1 i 2 oraz w tabelach na stronie 11. Kompletnie narzędzie jest dostarczane wstępnie zmontowane z końcówką nosową do nitów zrywalnych 4,8mm [3/16"].

Jedna dodatkowa końcówka nosowa do nitów 6,4mm [1/4"] jest dostarczona oddzielnie.

#### Montaż końcówki nosowej

- Należy odłączyć dopływ powietrza.
- Wybrać odpowiednią końcówkę nosową dopasowaną do używanego nita zrywalnego.
- Zdemontować obudowę końcówki nosowej (**1e**) wraz z końcówką nosową (**1a, b, c lub d**) oraz pierścieniem uszczelniającym (**1f**)
- Wyjąć końcówkę nosową (**1a, b, c lub d**) z obudowy końcówki nosowej (**1e**)
- Wybrać końcówkę nosową o odpowiednim rozmiarze i przeprowadzić montaż w odwrotnej kolejności.

#### Demontaż kompletnego zespołu głowicy przedniej.

- Należy odłączyć dopływ powietrza.
- Zdemontować obudowę końcówki nosowej (**1e**) wraz z końcówką nosową (**1a, b, c lub d**) oraz pierścieniem uszczelniającym (**1f**) z narzędzia.
- Odciągnąć blokadę przewodnicy szczęk (**1m**), pokonując opór sprężyny (**1n**), a następnie zdemontować przewodnicę szczęk (**1g**).
- Wyjąć szczęki (**1h**) z przewodnicy szczęk (**1g**).
- Wyjąć popychacz szczęk (**1i**), pierścień uszczelniający (**1j**) oraz sprężynę popychacza szczęk (**1k**) z głowicy zaciągającej (**1l**).
- Zdjąć zespół głowicy zaciągającej (**1q**) z tłoka narzędzia za pomocą klucza maszynowego.

#### Montaż kompletnego zespołu głowicy przedniej

- Należy odłączyć dopływ powietrza
- Wszelkie zużyte lub uszkodzone części należy wymienić.
- Oczyszczyć szczęki i sprawdzić ich zużycie (**1h**).
- Sprawdzić, czy popychacz szczęk (**1i**) lub sprężyna popychacza szczęk (**k**) nie są odkształcone.
- Lekko nasmarować szczęki (**1h**) smarem litowym z dodatkiem molibdenu (moly lithium).
- Pozwolić szczękom wpaść (**1h**) w przewodnicę szczęk (**1g**).
- Włożyć popychacz szczęk (**1i**) i pierścień uszczelniający (**1j**) w głowicę zaciągającą (**1l**).
- Odciągnąć blokadę przewodnicy szczęk (**1m**) i nakręcić przewodnicę szczęk (**1g**) całkowicie na głowicę zaciągającą (**1l**).
- Zwolnić blokadę przewodnicy szczęk (**1m**), a następnie częściowo wykręcić przewodnicę szczęk (**1g**), aż ząb blokady przewodnicy szczęk (**1m**) zatrzaśnie się na kolejnej szczelinie na przewodnicy szczęk (**1g**).
- Umieścić obudowę końcówki nosowej (**1e**) na przewodnicy szczęk (**1g**), a następnie wkręcić ją do końca na narzędzie.

Zespoły głowicy przedniej należy serwisować w odstępach tygodniowych. Zalecamy przechowywanie pewnego zapasu wszystkich wewnętrznych komponentów zespołu głowicy przedniej oraz zespołów głowicy przedniej, ponieważ należy je regularnie wymieniać.

#### 3.2 DOPŁYW POWIETRZA (Patrz rys. 3)

Komponenty

- A. Kurek odcinający (stosowany podczas konserwacji filtra/urządzenia zwykle lub smarowane)
- B. Regulator ciśnienia i filtr (codzienne spuszczenie)

- C. Główny spust głównego dopływu
- D. Punkt odprowadzania z głównego dopływu

- Wszystkie narzędzia pracują ze sprężonym powietrzem z minimalnym ciśnieniem 5,0 barów.
- Regulatory ciśnienia i automatyczne układy smarowania/filtrowania muszą znajdować się na głównym układzie zasilania powietrzem w odległości do 3 metrów od narzędzia (patrz rys. 3).
- Wężę powietrzne mają minimalne robocze skuteczne ciśnienie znamionowe wynoszące 150% maksymalnego ciśnienia wytwarzanego w układzie lub 10 barów, w zależności od tego, która wartość jest wyższa.
- Wężę powietrzne muszą być olejoodporne, mieć powierzchnię zewnętrzną odporną na ścieranie oraz być opancerzone, jeśli warunki pracy mogą prowadzić do uszkodzenia węży.
- Wszystkie wężę powietrzne MUSZĄ mieć minimalną średnicę wewnętrzną 6,4 mm.
- Sprawdzić, czy nie ma wycieków powietrza. W razie uszkodzenia wężę i złączki należy wymienić na nowe.
- Jeśli regulator ciśnienia nie jest wyposażony w filtr, opróżnić przewód powietrzny, aby oczyścić go z nagromadzonych zanieczyszczeń lub wody przed podłączeniem węża powietrznego do narzędzia.

### 3.3 ZASADA DZIAŁANIA

**PRZESTROGA - DOSTARCZANIE ODPOWIEDNIEGO CIŚNIENIA JEST WAŻNE DLA POPRAWNEGO DZIAŁANIA NARZĘDZIA. JEŚLI ODPOWIEDNIE CIŚNIENIE NIE BĘDZIE ZAPEWNIONE, MOŻE DOJŚĆ DO OBRAŻEŃ CIAŁA LUB USZKODZENIA SPRZĘTU.**

**DOSTARCZANE CIŚNIENIE NIE MOŻE PRZEKRACZAĆ WARTOŚCI PODANEJ W DANYCH TECHNICZNYCH NARZĘDZIA**

Wytłuszczone numery pozycji odnoszą się do komponentów na rysunkach 1 i 2 oraz w tabelach na stronie 11.

Gdy wąż pneumatyczny jest podłączony do nitownicy, cyklami zaciągania i powrotu narzędzia steruje się poprzez wciskanie i zwalnianie spustu (6) umieszczonego na uchwycie.

- Dopływ powietrza jest odłączony.
- Podłączyć odpowiedni zespół głowicy przedniej zgodnie z opisem na stronie 10 i 12.
- Podłączyć wąż pneumatyczny do zaworu włączającego/wyłączającego dopływ powietrza (7).
- Podłączyć wąż pneumatyczny głównego dopływu powietrza.
- Włączyć główny dopływ powietrza do narzędzia, przesuując zawór włączający/wyłączający dopływ powietrza (7) w górne położenie.
- Powietrze jest teraz dostarczane do narzędzia i układ próżniowy działa.
- Nacisnąć i zwolnić spust (6) kilka razy, wywołując pełny skok narzędzia, aby sprawdzić poprawność działania. Obserwować działanie narzędzia. Sprawdzić, czy nie występują wycieki płynu i/lub powietrza.

## 4. PROCEDURA OBSŁUGI

### 4.1 OBSŁUGA NARZĘDZIA (Patrz rys. 1, 4, 5, 6)

#### Instalacja nita zrywalnego

- Dopilnować, aby kolektor trzpieni (3) był zamontowany.
- Włożyć trzpień nita zrywalnego w końcówkę nosową (1a, b, c lub d). Układ próżniowy będzie utrzymywać nit zrywalny w końcówce nosowej.
- Ustawić narzędzie w żądanym położeniu.
- Dopilnować, aby zespół głowicy przedniej był ustawiony pod odpowiednim kątem (90°) do przedmiotu obróbki.
- Nacisnąć i przytrzymać spust (6), aż nit zostanie całkowicie wprowadzony w obrabiany przedmiot.
- Gdy nit zostanie wprowadzony do końca, zwolnić spust (6). Narzędzie automatycznie powróci w położenie wyjściowe. Trzpień zostanie automatycznie zasysany do kolektora trzpieni (3) przez układ próżniowy.
- Kolektor trzpieni należy opróżnić, zanim napelni się do połowy.

**PRZESTROGA –NIE WBIJAĆ TRZPIENIA ANI NITA NA SIŁĘ. SPOWODUJE TO USZKODZENIE NARZĘDZIA I / LUB PRZEDMIOTU OBRÓBK.**

### 4.2 OPRÓŻNIANIE KOLEKTORA TRZPIENI (Patrz rys. 1)

#### PRZESTROGA - NIE UŻYWAĆ NARZĘDZIA ZE ZDEMONTOWANYM KOLEKTOREM TRZPIENI

- Narzędzie jest wyposażone w kolektor trzpieni, który szybko się podłącza i odłącza (3).
- Obrót o 60° powoduje odłączenie lub podłączenie kolektora trzpieni.
- Odłączenie kolektora trzpieni (3) od narzędzia powoduje automatyczne WYŁĄCZENIE próżniowego układu przytrzymywania nitów zrywalnych i zasysania trzpieni.
- Ponowne zamontowanie kolektora trzpieni powoduje WŁĄCZENIE układu próżniowego.

## 5. SERWISOWANIE NARZĘDZIA

### 5.1 CZĘSTOTLIWOŚĆ KONSERWACJI

Przeszkolony personel musi przeprowadzać regularne serwisowanie, a szczegółowy przegląd należy przeprowadzać raz na rok lub co 500 000 tys. cykli, w zależności od tego, co wystąpi wcześniej.



ODŁĄCZYĆ DOPŁYW POWIETRZA



**PRZESTROGA** - *Nigdy nie wolno używać rozpuszczalników ani innych agresywnych środków chemicznych do czyszczenia części narzędzia niewykonanych z metalu.*

*Takie środki chemiczne mogą osłabić materiał, z jakiego wykonano te części.*

### 5.2 ZESPÓŁ GŁOWICY PRZEDNIEJ

Zespoły głowicy przedniej należy serwisować w odstępach tygodniowych lub co 5 000 cykli. Zalecamy przechowywanie pewnego zapasu wszystkich wewnętrznych komponentów zespołów końcówki nosowej oraz końcówek nosowych, ponieważ należy je regularnie wymieniać.

- Odłączyć dopływ powietrza
- Zdemontować kompletny zespół głowicy przedniej, wykonując procedurę opisaną w punkcie 3.1.
- Sprawdzić wszystkie komponenty. Wszelkie zużyte lub uszkodzone części należy wymieniać na nowe.
- W szczególności sprawdzać zużycie szczęk (**1h**).
- Oczyszczyć wszystkie części i nasmarować szczęki (**1h**) i stożkowaty otwór prowadnicy szczęk (**1g**) smarem litowym z dodatkiem molibdenu (07992-00020).
- Zmontować zgodnie z instrukcją montażu w punkcie 3.1.

### 5.3 CODZIENNY SERWIS

- Przed użyciem sprawdzić narzędzie, wąż i złączki pod kątem wycieków powietrza i oleju. W razie uszkodzenia zaprzestać użytkowania narzędzia i wymienić uszkodzone części na nowe.
- Jeśli regulator ciśnienia nie jest wyposażony w filtr, opróżnić przewód powietrzny, aby oczyścić go z nagromadzonych zanieczyszczeń lub wody przed podłączeniem węża powietrznego do narzędzia. Jeśli zamontowany jest filtr, spuścić z niego wodę.
- Sprawdzić, czy zespół głowicy przedniej (**1**) jest odpowiednio dopasowany do nitów zrywalnych do zamontowania i poprawnie zamontowany.
- Sprawdzić, czy skok narzędzia jest zgodny z minimalnymi parametrami (patrz. 2.1).
- Kolektor trzpieni (**3**) musi być zamontowany na narzędziu.
- Sprawdzić, czy komora powietrzna jest ciasno zamontowana na korpusie narzędzia.

### 5.4 COTYGODNIOWY SERWIS

- Sprawdzić narzędzie, wąż i złączki pod kątem wycieków powietrza i oleju. W razie uszkodzenia zaprzestać użytkowania narzędzia i wymienić uszkodzone części na nowe.

Aby uzyskać pełną instrukcję serwisowania, rozwiązywania problemów i konserwacji, skorzystać z instrukcji serwisowej nr 07900-09410 dla XT3 lub 07900-09411 dla XT4.

Aby uzyskać dane dotyczące bezpieczeństwa dla smaru i oleju używanych w tym narzędziu, skorzystać z instrukcji serwisowej nr 07900-09410 dla XT3 lub 07900-09411 dla XT4.

### 5.5 OCHRONA ŚRODOWISKA

Zapewnić zgodność z obowiązującymi przepisami dotyczącymi utylizacji. Zutylizować wszystkie odpady w odpowiednim zakładzie przetwórstwa odpadów, aby nie narażać personelu ani środowiska.

## 6. DEKLARACJA ZGODNOŚCI WE

### Oryginalny

My, **Avdel UK Limited; Stanley House, Works Road, Letchworth Garden City, Hertfordshire, SG6 1JY WIELKA BRYTANIA**, oświadczamy na własną odpowiedzialność, że produkt:

**Opis**

Pneumatyczno-hydrauliczne nitownice do nitów zrywalnych ProSet® XT3 i ProSet® XT4

**Marka/Model**

POP-Avdel® / 76003 i POP-Avdel® / 76004

**Nr seryjny**

którego dotyczy niniejsza deklaracja, jest zgodny z następującymi normami:

ISO 12100:2010	EN ISO 3744:2010
EN ISO 11202:2010	EN ISO 11148-1:2011
EN ISO 4413:2010	BS EN 28662-1:1993
EN ISO 4414:2010	EN ISO 20643:2008+A1:2012
EN ISO 28927-5:2009/A1:2015	

Dokumentacja techniczna została sporządzona zgodnie z punktem 1.7.4.1 Załącznika 1 następującej dyrektywy:

**2006/42/WE Dyrektywa maszynowa**

Przepisy Wielkiej Brytanii (UK Statutory Instruments 2008 No 1597 - The Supply of Machinery (Safety) Regulations refers.)

**A. K. Seewraj**
**Technology Manager – EU Blind Fastening**

Avdel UK Limited; Stanley House, Works Road, Letchworth Garden City,  
Hertfordshire, SG6 1JY WIELKA BRYTANIA

**Podpis**

**Miejsce wystawienia**    **Letchworth Garden City**
**Data wystawienia**    **01.03.2017**


Ta maszyna jest zgodna z dyrektywą maszynową 2006/42/WE.

## 7. CHROŃ SWOJĄ INWESTYCJĘ!

### 7.1 GWARANCJA NA NITOWNICĘ DO NITÓW ZRYWALNYCH POP®AVDEL®

STANLEY Engineered Fastening gwarantuje, że wszystkie narzędzia zostały wyprodukowane z należytą starannością i pozostaną wolne od wad materiałowych i wad wykonania w warunkach normalnego użytkowania i serwisowania przez okres jednego (1) roku.

Niniejsza gwarancja ma zastosowanie do pierwszego nabywcy narzędzia.

#### **Wyjątki:**

##### **Normalne zużycie.**

Konserwacja okresowa oraz naprawa i wymiana części spowodowane normalnym zużyciem nie są objęte gwarancją.

##### **Użytkowanie niezgodnie z przeznaczeniem.**

Uszkodzenia i usterki wynikające z błędnego użytkowania, przechowywania, użytkowania niezgodnie z przeznaczeniem, wypadku lub zaniedbania, jak np. uszkodzenia fizyczne, nie są objęte gwarancją.

##### **Nieuprawnione serwisowanie lub modyfikacja.**

Uszkodzenia lub usterki wynikające z serwisowania, próbnej regulacji, instalacji, konserwacji, jakichkolwiek zmian lub modyfikacji przeprowadzonych przez osobę inną niż pracownik STANLEY Engineered Fastening lub pracownik autoryzowanego centrum serwisowego tej firmy nie są objęte gwarancją.

Wszelkie inne oświadczenia i zapewnienia, wyrażone lub domniemane, w tym gwarancje przydatności do sprzedaży lub do określonego celu są niniejszym wyłączone.

Jeśli wystąpi usterka podczas gwarancji, proszę niezwłocznie przekazać narzędzie do najbliższego autoryzowanego centrum serwisowego. Aby uzyskać listę autoryzowanych centrów obsługi POP®Avdel® w USA lub Kanadzie, proszę skontaktować się z nami pod bezpłatnym numerem (877)364 2781.

Poza USA i Kanadą proszę wejść na naszą stronę **[www.StanleyEngineeredFastening.com](http://www.StanleyEngineeredFastening.com)**, aby odszukać najbliższe centrum obsługi STANLEY Engineered Fastening.

STANLEY Engineered Fastening następnie wymieni bezpłatnie każdą część lub wszystkie części, jakie uzna za wadliwe w wyniku wad materiałowych lub wykonania i zwróci narzędzie na własny koszt. Powyższe zobowiązanie stanowi jedyne zobowiązanie zgodnie z niniejszą gwarancją.

W żadnym razie STANLEY Engineered Fastening nie odpowiada za żadne szkody szczególne lub wynikowe wynikające z zakupu lub eksploatacji tego narzędzia.

### 7.2 ZAREJESTRUJ SWOJĄ NITOWNICĘ DO NITÓW ZRYWALNYCH W INTERNECIE.

Aby zarejestrować swoją gwarancję w Internecie, odwiedź naszą witrynę

<http://www.stanleyengineeredfastening.com/popavdel-powertools/warranty-card>.

Dziękujemy za wybranie narzędzia STANLEY Engineered Fastening marki POP®Avdel®.





©2017 Stanley Black & Decker inc.

Alla rättigheter förbehållna.

Informationen som tillhandahålls får inte på reproduceras och/eller göras offentlig på något sätt eller med några metoder (elektroniskt eller mekaniskt) utan exklusivt skriftligt tillstånd dessförinnan från STANLEY Engineered Fastening. Informationen som tillhandahålls baseras på data som är kända vid tidpunkten för introduktionen av denna produkt. STANLEY Engineered Fastening har en policy med kontinuerliga produktförbättringar och produkterna kan därför förändras. Informationen som är tillämplig för produkten tillhandahålls av STANLEY Engineered Fastening. Därför kan inte STANLEY Engineered Fastening hållas ansvariga för skador som uppstår som följer av ändringar från originalspecifikationerna för produkten.

Den tillgängliga informationen har sammansatts med yttersta noggrannhet. Emellertid påtar sig inte STANLEY Engineered Fastening något ansvar beträffande fel i informationen eller för konsekvenser därav. STANLEY Engineered Fastening påtar sig inget ansvar för skador som uppstår från aktiviteter som utförs av tredje part. Arbetsnamnen, varumärkesnamnen, registrerade varumärken etc. som används av STANLEY Engineered Fastening skall inte betraktas som fria utan används i enlighet med lagstiftningen som gäller för skydd av varumärken.

## INNEHÅLL

<b>1. SÄKERHETSDEFINITIONER</b> .....	<b>2</b>
1.1 ALLMÄNNA SÄKERHETSFORESKRIFTER.....	2
1.2 PROJEKTILRISKER.....	2
1.3 DRIFTRISKER.....	3
1.4 RISKER VID REPETITIVA RÖRELSER.....	3
1.5 TILLBEHÖRSRISKER.....	3
1.6 RISKER PÅ ARBETSPLATSEN.....	4
1.7 BULLERRISKER.....	4
1.8 VIBRATIONSRIKIGER.....	4
1.9 YTTERLIGARE SÄKERHETSINSTRUKTIONER FÖR PNEUMATISKA ELVERKTYG.....	4
<b>2. SPECIFIKATIONER</b> .....	<b>5</b>
2.1 VERKTYGSSPECIFIKATIONER.....	5
2.2 ANVÄNDNINGSSOMRÅDE.....	6
2.3 MEDFÖLJANDE INNEHÅLL.....	7
2.4 HUVUDKOMPLEMENTLISTA.....	7
2.5 STANDARDNOSUTRUSTNING.....	7
<b>3. VERKTYGSINSTÄLLNING</b> .....	<b>8</b>
3.1 NOSUTRUSTNING (se bild 2).....	8
3.2 LUFTFÖRSÖRJNING (se bild 3).....	8
3.3 DRIFT.....	9
<b>4. ANVÄNDNING</b> .....	<b>10</b>
4.1 VERKTYGSHANTERING (se bild 1, 4, 5, 6).....	10
4.2 TÖMNING AV SPLINTUPPSAMLAREN (se bild 1).....	10
<b>5. SERVICE AV VERKTYGET</b> .....	<b>11</b>
5.1 UNDERHÅLLSFREKVENNS.....	11
5.2 NOSUTRUSTNING.....	11
5.3 DAGLIG SERVICE.....	11
5.4 VECKOSERVICE.....	11
5.5 SKYDDA MILJÖN.....	11
<b>6. EU-FÖRSÄKRAN OM ÖVERENSSTÄMMELSE</b> .....	<b>12</b>
<b>7. SKYDDA DIN INVESTERING!</b> .....	<b>13</b>
7.1 POP*AVDEL* GARANTI BLINDNITVERKTYG.....	13
7.2 REGISTRERA DITT BLINDNITVERKTYG ONLINE.....	13



Denna bruksanvisning måste läsas av alla personer som installerar eller använder detta verktyg, med särskild uppmärksamhet på följande säkerhetsregler.



Använd alltid slagtäligt ögonskydd under drift av verktyget. Den skyddsgrad som krävs bör bedömas för varje användning.



Använd hörselskydd i enlighet med arbetsgivarens anvisningar och enligt kraven i arbetsmiljölörens.



Användning av verktyget kan utsätta operatörens händer för faror, inklusive krossning, stötar, skär-sår och skador och värme. Använd lämpliga handskar för att skydda händerna.

## 1. SÄKERHETSDEFINITIONER

Nedanstående definitioner beskriver allvarlighetsgrad för varje signalord. Läs igenom manualen och uppmärksamma dessa symboler.



**FARA:** Indikerar en omedelbart farlig situation som, om den inte undviks, kommer att resultera i dödsfall eller allvarlig personskada.



**WARNING:** Indikerar en potentiellt farlig situation som, om den inte undviks, skulle kunna resultera i dödsfall eller allvarlig personskada.



**FÖRSIKTIGHET:** Indikerar en potentiellt farlig situation som, om den inte undviks, kan resultera i mindre eller medelmåttig personskada.

**FÖRSIKTIGHET:** Användande utan säkerhetslarmsymbolen indikerar en potentiellt farlig situation som, om den inte undviks, kan resultera i materiella skador.

**Felaktig hantering eller underhåll av denna produkt kan resultera i allvarliga person- eller egendomsskador. Läs igenom och förstå alla varningar och driftinstruktioner innan denna utrustning används. När verktyget används måste de grundläggande försiktighetsåtgärderna alltid följas för att minska risken för personskadorna.**

### SPARA ALLA VARNINGAR OCH INSTRUKTIONER FÖR FRAMTIDA REFERENS

#### 1.1 ALLMÄNNA SÄKERHETSFÖRESKRIFTER

- För flera faror, läs och förstå säkerhetsinstruktionerna innan du installerar, använder, reparerar, underhåller, byter tillbehör på eller arbetar nära verktyget. Om du inte gör det kan det leda till allvarlig kroppsskada.
- Endast kvalificerade och utbildade operatörer får installera, justera eller använda verktyget.
- Använd INTE för andra ändamål än den avsedda installationen av STANLEY Engineered Fastening blindni-tar.
- Använd endast delar, fästelement och tillbehör som rekommenderas av tillverkaren.
- Ändra INTE verktyget. Ändringar kan minska effektiviteten för säkerhetsåtgärder och öka riskerna för ope-ratören. Alla modifieringar av verktyget som utförs av kunden är kundens ansvar och kommer att göra alla tillämpliga garantier ogiltiga.
- Släng inte säkerhetsinstruktionerna utan ge dem till operatören.
- Använd inte verktyget om det är skadat.
- Före användning, kontrollera felinställningar eller om rörliga delar har fastnat, bristning hos delar och andra eventuella förhållanden som kan komma att påverka verktygets funktion. Om det är skadat, se till att verktyget blir reparerat före användning. Ta bort inställningsnycklar eller skiftnycklar före användning.
- Verktyg ska inspekteras regelbundet för att verifiera att de värden och markeringar som krävs enligt denna del av ISO 11148 är läsligt utmärkta på verktyget. Arbetsgivaren/användaren ska kontakta tillverkaren för att få ersättningsmärkningsetiketter vid behov.
- Verktyget måste underhållas för att alltid vara driftsäkert och skall regelbundet kontrolleras om det finns skador och att den fungerar korrekt av utbildad personal. All demontering skall endast göras av utbildad personal. Demontera inte detta verktyg utan att först kontrollera underhållsinstruktionerna.

#### 1.2 PROJEKTILRISER

- Koppla ifrån luftslangen från verktyget innan något underhålls eller inställningar utförs, fastsättning eller borttagning av nosmontaget eller tillbehör.

- Tänk på att fel på arbetsstycket eller tillbehören, eller till och med det insatta verktyget självt kan generera projektiler med hög hastighet.
- Använd alltid slagtäligt ögonskydd under drift av verktyget. Den skyddsgrad som krävs bör bedömas för varje användning.
- Riskerna för andra bör också bedömas vid denna tidpunkt.
- Se till att arbetsstycket är ordentligt fastsatt.
- Kontrollera att skyddsanordningarna mot utskjutning av fästelement och/eller splintar är på plats och fungerar.
- Använd INTE verktyget utan splintuppsamlaren installerad.
- Varna för eventuell utskjutning av splintar från verktygets framsida.
- Använd INTE ett verktyg som är riktat mot någon person.

### **1.3 DRIFTRISKER**

- Användning av verktyget kan utsätta operatörens händer för faror, inklusive krossning, stötar, skärsår och skador och värme. Använd lämpliga handskar för att skydda händerna.
- Operatörer och underhållspersonal ska fysiskt kunna hantera verktygets bulk, vikt och kraft.
- Håll verktyget korrekt, var redo att motverka normala eller plötsliga rörelser och ha båda händerna tillgängliga.
- Se till att handtagen är torra, rena och fria från olja och fett.
- Behåll en balanserad kroppsposition och stå stadigt när du använder verktyget.
- Släpp start-och-stopp-enheten vid störning av hydraulkällan.
- Använd endast smörjmedel som rekommenderas av tillverkaren.
- Kontakt med hydraulisk vätska skall undvikas. För att minimera risken för utslag skall huden sköljas noga om kontakt uppstår.
- Datablad om materialsäkerhet för alla hydrauliska oljor och smörjmedel finns tillgänglig på begäran från din verktygsleverantör.
- Undvik olämpliga ställningar eftersom det är troligt att dessa positioner inte tillåter motverkande av normal eller oväntad rörelse av verktyget.
- Om verktyget är fastsatt på en upphängningsanordning, se till att fastsättningen är säker.
- Se upp för risken för krossning eller klämning om nosutrustning inte är monterad.
- Använd INTE verktyget med höljet borttaget.
- Det måste finnas tillräckligt med utrymme för operatörens händer innan du går vidare.
- När verktyget bärs från en plats till en annan skall alltid händerna placeras undan från avtryckare för att undvika oavsiktligt aktivering.
- Missbruka INTE verktyget genom att låta det falla ned eller använda det som hammare.
- Försiktighetsåtgärder skall vidtagas för att se till att förbrukade splintar inte utgör någon fara.
- Splintuppsamlaren måste tömmas när den är ungefär halvfull.

### **1.4 RISKER VID REPETITIVA RÖRELSE**

- Vid användning av verktyget kan operatören uppleva obehag i händer, armar, axlar, nacke eller andra delar av kroppen.
- Vid användning av verktyget bör operatören anta en bekväm hållning och samtidigt stå stadigt för att undviker besvärliga eller obalanserade positioner. Operatören bör byta hållning under längre arbetsuppgifter; detta kan hjälpa till att undvika obehag och trötthet.
- Om operatören upplever symtom som ihållande eller återkommande obehag, smärta, pulserande känsla, värkande, stickningar, domningar, brännande känsla eller stelhet, bör dessa varningstecken inte ignoreras. Operatören ska berätta för arbetsgivaren och rådfråga kvalificerad vårdpersonal.

### **1.5 TILLBEHÖRSRISKER**

- Koppla bort verktyget från hydraulisk och elektrisk matning innan montering eller avlägsnande av munstycksanordningen eller tillbehöret.
- Använd endast storlekar och typer av tillbehör och förbrukningsartiklar som rekommenderas av tillverkaren av verktyget; använd inte andra typer eller storlekar av tillbehör eller förbrukningsartiklar.

### 1.6 RISKER PÅ ARBETSPLATSEN

- De vanligaste orsakerna till arbetsplatsskador är halkning, snubbling och fall. Var medveten om hala ytor orsakade av användning av verktyget och även för risker för att snubbla som orsakas av luftledningen eller hydraulslangen.
- Rör dig med försiktighet i okända omgivningar. Det kan finnas dolda faror, till exempel el- eller andra ledningar.
- Verktyget är inte avsett för användning i potentiellt explosiva atmosfärer och är inte isolerat mot kontakt med elkraft.
- Se till att det inte finns några elektriska kablar, gasrör etc. som kan orsaka risk om de skadas av verktyget.
- Klä dig lämpligt. Bär inte lösa kläder eller smycken. Håll hår, kläder och handskar borta från delar i rörelse. Lösa kläder, smycken eller långt hår kan fastna i delar i rörelse.
- Försiktighetsåtgärder skall vidtagas för att se till att förbrukade splintar inte utgör någon fara.

### 1.7 BULLERRISKER

- Exponering för höga ljudnivåer kan orsaka permanenta, inaktiverande hörselnedsättning och andra problem, till exempel tinnitus (ringer, surrar, visslar eller piper i öronen). Därför är riskbedömning och genomförande av lämpliga kontroller för dessa faror nödvändiga.
- Lämpliga kontroller för att minska risken kan inkludera åtgärder som dämpning av material för att förhindra att arbetsstycken "ringer".
- Använd hörselskydd i enlighet med arbetsgivarens anvisningar och enligt kraven i arbetsmiljörégler.
- Använd och underhåll verktyget enligt rekommendationen i bruksanvisningen, för att förhindra onödig ökning i ljudnivån.
- Se till att splintuppsamlaren är monterad och i gott skick när verktyget används.

### 1.8 VIBRATIONSRIKTER

- Exponering för vibrationer kan orsaka skador på nerver och blodtillförsel i händer och armar.
- Använd varma kläder när du arbetar under kalla förhållanden och håll händerna varma och torra.
- Om du får domningar, stickningar, smärta eller blekning av huden i fingrar eller händer, sluta använda verktyget, berätta för din arbetsgivare och kontakta en läkare.
- Om möjligt, stöd vikten av verktyget i stativ, sträckare eller balans, eftersom ett lättare grepp då kan användas för att stödja verktyget.

### 1.9 YTTERLIGARE SÄKERHETSINSTRUKTIONER FÖR PNEUMATISKA ELVERKTYG

- Driftluftförsörjningen får inte överstiga 7 bar (100 PSI).
- Luft under tryck kan orsaka allvarliga skador.
- Lämna aldrig ett verktyg i drift utan tillsyn. Koppla bort luftslangen när verktyget inte används, innan du byter tillbehör eller vid reparationer.
- Låt INTE luftutblåsöppningen på splintuppsamlaren riktas mot operatören eller några andra personer. Rikta aldrig luft mot någon annan.
- Vippande slangar kan orsaka allvarliga skador. Kontrollera alltid om det finns skadade eller lösa slangar och fästen.
- Före användning, inspektera luftledningarna för att se om det finns några skador, alla kopplingar måste sitta fast. Låt inga tunga föremål falla ned på slangarna. Ett hårt slag kan leda till inre skador och leda till att slangerna går sönder i förtid.
- Kall luft ska riktas bort från händerna.
- När universella vridkopplingar (klokopplingar) används, ska låspinnen installeras och säkerhetsvagnar för whipcheck användas för att skydda mot eventuellt slanganslutningsfel.
- Lyft INTE verktyget i slangerna. Använd alltid verktygets handtag.
- Ventilationshålen får inte blockeras eller täckas över.
- Håll smuts och främmande föremål undan från det hydrauliska systemet eftersom verktyget kan få funktionsfel.

**STANLEY Engineered Fastening policy strävar mot kontinuerlig produktutveckling och vi förbehåller oss rätten att ändra specifikationen för någon produkt utan vidare meddelande.**

## 2. SPECIFIKATIONER

ProSet® XT3 & XT4 är ett hydropneumatiskt verktyg som är utformat för att placera Stanley Engineered Faste-ning blindnit i hög hastighet. Verktygen har ett vakuumsystem för nitfasthållning och problemfri insamling av de förbrukade dornen oavsett verktygsorientering.

När den är kopplad till korrekt nosutrustning kan ProSet® XT3 & XT4 användas för att placera blindnitar inom området Ø4,0 mm till Ø6,4 mm. Se tabellen på sidan 10 för en lista med alla nitar som kan appliceras.

Säkerhetsinstruktionerna på sidorna 2 & 4 måste alltid följas.

Använd **INTE** under våta förhållanden eller i närheten av lättantändliga vätskor eller gaser.

### 2.1. VERKTYGSSPECIFIKATIONER

	XT3		XT4	
<b>Dragkraft:</b> vid 5,5 bar	17,0 kN	3822 lbf	23,0 kN	5193 lbf
<b>Luftryck:</b> Min. till Max.	5,0 - 7,0 bar	72,5 - 101,5 lbf/in <sup>2</sup>	5,0 - 7,0 bar	72,5 - 101,5 lbf/in <sup>2</sup>
<b>Oljetryck:</b> Drag vid 5,5 bar	290 bar	4206 lbf/in <sup>2</sup>	395 bar	5729 lbf/in <sup>2</sup>
<b>Slaglängd:</b> Minimislaglängd	26,0 mm	1,02 in.	18,0 mm	0,91 in.
<b>Vikt:</b> Inklusive nosutrustning	2,24 kg	4,94 lb	2,26 kg	4,98 lb
<b>Vikt:</b> utan nosutrustning	2,00 kg	4,41 lb	2,02 kg	4,41 lb
<b>Fri luftvolym:</b> vid 5,5 bar	6,3 lit	384,4 in <sup>3</sup>	6,3 lit	384,4 in <sup>3</sup>
<b>Kyeltid:</b> Ungefär	0,9 sekunder		1,0 sekunder	

<b>Bullervärden i enlighet med bullertestkod ISO 15744 och ISO 3744.</b>		XT3	XT4
A-vägd ljudeffektnivå dB(A), L <sub>WA</sub>	Osäkerhet buller: k <sub>WA</sub> = 3,0 dB(A)	90,3 dB(A)	89,7 dB(A)
A-viktad utsläppsljudnivå vid arbetsstationen dB(A), L <sub>pA</sub>	Osäkerhet buller: k <sub>pA</sub> = 3,0 dB(A)	79,3 dB(A)	78,7 dB(A)
C-viktat topputsläpp ljudtrycksnivå dB(C), L <sub>pC</sub> , topp	Osäkerhet buller: k <sub>pC</sub> = 3,0 dB(C)	82,7 dB(C)	81,5 dB(A)

<b>Vibrationsvärden i enlighet med vibrationstestkod ISO 20643 och ISO 5349.</b>		XT3	XT4
Vibrationsemissionsnivå, a <sub>hd</sub> :		1,41 m/s <sup>2</sup>	1,80 m/s <sup>2</sup>
Osäkerhet vibration: k		0,70 m/s <sup>2</sup>	0,90 m/s <sup>2</sup>
Deklarerade vibrationsvärden i enlighet med EN 12096			

## 2.2 ANVÄNDNINGSSOMRÅDE

Blindnittypp	Nitdiameter mm [tum]										
	4 [5/32]	4,3	4,8 [3/16]	6	6,4 [1/4]	7	8	9	10	11	12
Öppen	●*		●**		●						
Stäng	●*		●**		●						
HR	●*		●		●						
HS					● (3)						
Multi-Grip	●*		●**		●						
TL	●*		●								
T-Rivet (Emhart)	●*		●		●						
Self-Pluggar	●*		●		●						
Ultra Grip (UG) (NPR)					⊗ (3)						
CD					● (3)						
Avex®	● (2)		● (2)		● (2)						
Stavex®	● (2)		● (2)		● (1)(3)						
Avinox®/ Avibulb®	● (2)		● (2)	● (2)							
Avinox®XT / Avibulb®XT					● (1)(3)						
LSR/Bulbex®	● (2)		● (2)								
T-Lok®		● (2)	● (2)								
Avdel® SR	● (2)		● (2)		● (2)						
Hemlok®					● (1)(3)						
Interlock®			⊗ (2)		⊗ (1)(3)						
Maxlok®			● (3)		⊗ (3)						
Monobolt®			⊗ (1)(2)		⊗ (1)(3)						
Avtainer®									⊗ (1)(3)		
Avseal® (STD)				● (1)(3)		● (1)(3)	● (1)(3)	● (1)(3)	⊗ (1)(3)		
Avseal® (låg tryck)							● (1)(3)	● (1)(3)	● (1)(3)	⊗ (1)(3)	⊗ (1)(3)
Q Rivet	● (2)		● (2)		● (2)						
T Rivet (Avdel)			● (1)(2)		● (1)(2)						
Avdelmate®			● (2)		● (2)						
Klamp-Tite® BAPK			⊗ (2)		⊗ (2)						
Klamp-Tite® BAPKTR			⊗ (1)(2)		⊗ (1)(2)						
Avdelok®			● (3)		⊗ (3)						

\* Använd PRG540-46 käftar och FAN276-064 käftförare

\*\* Använd PRG540-46 käftar.

● Ir kompatibel för både XT3 och XT4 verktyg

⊗ Är endast tillämpligt för XT3 verktyg

⊗ Är endast tillämpligt för XT4 verktyg

(1) Icke-standard nosdel krävs

(2) Alternativ typ av nosutrustning tillgänglig

(3) Icke-standard nosutrustning krävs.

För en fullständig lista med kompatibel nosutrustning för varje nittyp, tillsammans med montage- och underhållsinstruktioner se ProSet® nosutrustningsmanual 07900-09414

### 2.3 MEDFÖLJANDE INNEHÅLL

- 1 ProSet® XT3 eller XT4 blindnitverktyg.
- 1 set Standard nosutrustning och munstycken för 4,8 mm [3/16"] och 6,4 mm [1/4"] nitar.
- 1 skriftlig bruksanvisning – regionanpassad.

### 2.4 HUVUDKOMPONENTLISTA

Se bild 1 och 2 och tabellen nedan.

Artikel	Artikelnummer	Beskrivning	Antal
1	76003-15000*	Standardnosutrustning	1
2	76003-02022	Upphångningskrok	1
3	76003-05200	Splintuppsamlare	1
4	07001-00405	Oljeplugg	1
5	07003-00194	Packning	1
6	76003-02008	Avtryckare	1
7	76003-03700	På/Av ventil	1
8	71210-02103	Låsmutter	1

### 2.5 STANDARDNOSUTRUSTNING

Se bild 2 och tabellen nedan.

Artikel	Artikelnummer	Beskrivning	Antal
1c	PRN614	Munstycke - 4,8 mm [3/16 tum] (fäst)	1
1d	PRN811	Munstycke - 6,4 mm [1/4 tum]	1
1e	76003-15001	Nosdel	1
1f	07003-00067	O-ring	1
1g	DPN276-001	Käfthållare	1
1h	PRG540-44	Käftar	1 Set
1i	DPN276-006	Käuftförare	1
1j	DPN900-060	O-ring	1
1k	DPN901-019	Käuftförarfjäder	1
1l	76003-15002	Draghuvud	1
1m	76003-15004	Käfthållarlås	1
1n	DPN901-020	Fjäder	1
1o	76003-15003	Draghuvudadapter	1
1p	07003-00277	O-ring	1

För ytterligare nosutrustningar se ProSet® nosutrustningsmanual 07900-09414 eller besök [www.stanleyengineeredfastening.com/resource-center/document-library](http://www.stanleyengineeredfastening.com/resource-center/document-library)

För en fullständig lista med verktygstillbehör se ProSet tillbehörsmanual 07900-09415.

\* Munstycken medföljer inte Proset XT3 basverktyg (76003-01000) eller Proset XT4 basverktyg (76004-01000).



### 3. VERKTYGSINSTÄLLNING

**VIKTIGT - LÄS IGENOM SÄKERHETSVARNINGARNA PÅ SIDAN 6 och 8 NOGA INNAN ANVÄNDNING.**

**VIKTIGT- LUFTFÖRSÖRJNINGEN MÅSTE STÄNGAS AV ELLER KOPPLAS IFRÅN INNAN FASTSÄTTNING ELLER BORTTAGNING AV NOSMONTAGET.**

#### 3.1 NOSUTRUSTNING (se bild 2)

Artikelnummer i fet stil refererar till komponenterna i bilderna 1 och 2 och tabellerna på sidan 11. Det kompletta verktyget kommer att levereras förmonterat med munstycke för 4,8 mm [3/16tum] nitar. Ett ytterligare munstycke för 6,4 mm [1/4tum] nitar levereras separat.

#### Montering av nosdelen

- Lufttillförseln måste vara fränkopplad.
- Välj korrekt nosdel för niten som ska installeras.
- Ta bort nosdelen (**1e**), inklusive munstycke (**1a, b, c eller d**) och O-ringen (**1f**)
- Ta bort munstycket (**1a, b, c eller d**) från nosdelen (**1e**)
- Välj passande storlek på munstycket och montera i omvänd ordning.

#### Borttagning av hela nosutrustningen.

- Lufttillförseln måste vara fränkopplad.
- Ta bort noshöljet (**1e**), inklusive nosdelen (**1a,b,c eller d**) och O-ringen (**1f**) från verktyget.
- Dra tillbaka käftstyrningslåset (**1m**) mot fjädern (**1n**) och ta sedan bort käfthållaren (**1g**).
- Ta bort käftarna (**1h**) från käfthållaren (**1g**).
- Ta bort käftföraren (**1i**), O-ringen (**1j**) och käftförarfjäders (**1k**), från draghuvudet (**1l**).
- Ta bort draghuvudmontaget (**1q**) från verktygets kolv med skruvnycklar

#### Montera den kompletta nosutrustningen

- Lufttillförseln måste vara fränkopplad
- Alla slitna eller skadade delar skall bytas.
- Rengör och kontrollera slitage på käftarna (**1h**).
- Se till att käftföraren (**1i**) eller käftförarfjäders (**k**) inte är deformerad.
- Täck lätt käftarna (**1h**) med molybdenulfett.
- Släpp ned käftarna (**1h**) in i käfthållaren (**1g**).
- Sätt i käftföraren (**1i**) och O-ringen (**1j**) i draghuvudet (**1l**).
- Dra tillbaka käftstyrningslåset (**1m**) och skruva in käfthållaren (**1g**) helt på draghuvudet (**1l**).
- Släpp käftstyrningslåset (**1m**) och skruva sedan delvis loss käfthållaren (**1g**) tills käftstyrningslåsets (**1m**) tänder klickat in i nästa öppning på käftstyrningen (**1g**).
- Placera noshöljet (**1e**) över käfthållaren (**1g**) och fäst helt på verktyget.

Nosmontage skall ha service varje vecka. Du bör ha ett lager med interna komponenter nosdelen då de behöver bytas regelbundet.

#### 3.2 LUFTFÖRSÖRJNING (se bild 3)

Komponenter

- Avstängningskran (används vid underhåll av filter/regulator eller smörjenheter)
  - Tryckregulator och filter (töm dagligen)
  - Huvudförsörjning tömningspunkt
  - Avtagningspunkt från huvudförsörjningen
- Alla verktyg drivs med tryckluft vid ett minimitryck på 5,0 bar.
  - Tryckjusteringer och automatisk olje-/filtreringssystem skall användas på lufttillförseln inom tre meter från verktyget (se fig. 3).
  - Luftförsörjningslangar skall ha specificerat minimum effektivt arbetstryck på 150% av det maximala trycket i systemet eller 10 bar, vilkendera som är högst.

- Luftslangarna skall vara oljeresistenta, ha en slitagefast yttre beläggning och vara armerade där arbetsförhållanden kan resultera i att slangar skadas.
- Alla luftslingar MÅSTE minst ha en inre diameter på 6,4 millimeter.
- Kontrollera om det finns luftläckage. Om det finns skador måste slangar och kopplingar bytas mot nya.
- Om det inte finns något filter på tryckjustering, blås ur luftslangen för att rensa den från uppsamlat smuts eller vatten innan du ansluter slangen till verktyget.

### 3.3 DRIFT

**FÖRSIKTIGHET - RIKTIGT LUFTRYCK ÄR VIKTIGT FÖR KORREKT FUNKTION AV FÄSTVERKTYGET. PERSONSKADOR ELLER SKADOR PÅ UTRUSTNINGEN KAN UPPSTÅ VID FEL TRYCK. LUFTRYCKET FÅR INTE ÖVERSTIGA DET SOM ANGES I VERKTYGETS SPECIFIKATION**

Artikelnummer i fet stil refererar till komponenterna i bilderna 1 och 2 och tabellerna på sidan 11.

När en pneumatisk slang är ansluten till placeringsverktyget kontrolleras drag- och returcyklerna av avtryckaren som är placerad i handtaget och som trycks in och släpps (6).

- Lufttillförseln måste vara fränkopplad.
- Anslut lämplig nosutrustning såsom beskrivs på sidan 10 och 12.
- Anslut luftslangen till på/av luftventilen (7).
- Anslut den luftslangen huvudlufttillförsel.
- Slå på huvudtillförseln till verktyget genom att skjuta på/av ventilen (7) till den övre positionen.
- Luft tillförs nu till verktyget och vakuumsystemet arbetar.
- Dra och släpp avtryckaren (6) några gånger för full slagkraft från verktyget för att kontrollera driften. Observera hur verktyget agerar. Kontrollera efter flödes- och/eller luftläckage.

## 4. ANVÄNDNING

### 4.1 VERKTYGSHANTERING (se bild 1, 4, 5, 6)

#### Installation av en blindnit

- Se till att splintuppsamlaren (3) är monterad.
- Sätt nitsplinten i munstycket (1a, b, c eller d). Vakuumsystemet kommer att hålla kvar niten i nosdelen.
- Positionera verktyget.
- Se till att nosutrustningen är i rät vinkel (90°) mot arbetsstycket.
- Dra och håll ner avtryckaren (6) tills niten är helt insatt i applikationen.
- När niten har satts i helt, släpp avtryckaren (6). Verktyget kommer att återgå till sitt ursprungliga läge automatiskt. Splinten släpps automatiskt i splintuppsamlaren (3) av vakuumsystemet.
- Splintuppsamlaren måste tömmas innan den är halvfull.

**VARNING –TVINGA INTE ISÄTTNINGEN AV NITSPLINTEN ELLER NITSTOMMEN. DETTA KOMMER ATT SKADA VERKTYGET OCH/ELLER APPLIKATIONEN.**

### 4.2 TÖMNING AV SPLINTUPPSAMLAREN (se bild 1)

#### VARNING - ANVÄND INTE VERKTYGET NÄR SPLINTUPPSAMLAREN ÄR BORTTAGEN

- Verktyget är utrustat med en snabb anslutningsbar/lästagbar splintuppsamlare (3).
- En 60° rotation tar bort eller sätter tillbaka splintuppsamlaren.
- Borttagning av splintuppsamlaren (3) från verktyget stänger automatiskt av vakuumnithållaren och splint-extraktionssystemet.
- När splintuppsamlaren sätts tillbaka slås vakuumsystemet PÅ.

## 5. SERVICE AV VERKTYGET

### 5.1 UNDERHÅLLSFREKVENNS

Regelbunden service skall utföras av utbildad personal och en omfattande efterkontroll skall göras varje år eller efter 500 000 cykler, beroende på vad som inträffar först.



KOPPLA IFRÅN LUFTTILLFÖRSELN



**VARNING** - Använd aldrig lösningsmedel eller andra starka kemikalier för rengöring av de delar som inte är av metall.

*Kemikalierna kan försvaga materialet i de här delarna.*

### 5.2 NOSUTRUSTNING

Nosmontage behöver service varje vecka eller efter 5000 cykler. Du bör ha ett lager med interna komponenter såsom käftar, käftförare, käftförarfjädrar och munstycken då de behöver bytas regelbundet.

- Koppla ifrån lufttillförseln
- Ta av hela nosmontaget enligt proceduren som beskrivs i sektion 3.1.
- Inspektera alla komponenter. • Alla slitna eller skadade delar skall bytas mot nya.
- Kontrollera särskilt slitage på käftarna **(1h)**.
- Rengör alla delar och påför molybdenfett (07992-00020) på käftarna **(1h)** och koniska hålet på käfthållaren **(1g)**.
- Montera i enlighet med monteringsinstruktionerna i sektion 3.1.

### 5.3 DAGLIG SERVICE

- Innan användning, kontrollera verktyget, slangen och kopplingarna för luft- och oljeläckage. Vid skador, ta verktyget ur drift och ersätt berörda objekt med nya delar.
- Om det inte finns något filter på tryckjusteringen, blås ur luftslangen för att rensa den från uppsamlad smuts eller vatten innan du ansluter slangen till verktyget. Om det finns ett filter, töm det.
- Kontrollera att nosutrustningen **(1)** är korrekt för den nit som skall placeras och att den är korrekt placerad.
- Kontrollera att slaglängden på verktyget uppfyller minimispecifikationen (se 2.1).
- Splintuppsamlaren **(3)** måste vara monterad på verktyget.
- Kontrollera att luftkammaren är helt åtdragen på verktygshöljet.

### 5.4 VECKOSERVICE

- Kontrollera verktyget, slangen och kopplingarna för luft- och oljeläckage. Vid skador, ta verktyget ur drift och ersätt berörda objekt med nya delar.

För full service-, felsöknings- och underhållsinstruktioner se Servicemanualen nr. 07900-09410 för XT3 och 07900-09411 för XT4.

För Säkerhetsdata relaterat till fettet och oljan som används i detta verktyg se Servicemanualen nr. 07900-09410 för XT3 och 07900-09411 för XT4.

### 5.5 SKYDDA MILJÖN

Observera överensstämmelse med gällande avfallsföreskrifter. Kassera alla avfallsprodukter på en godkänd avfallsanläggning eller plats för att inte utsätta personal och miljö för faror.

## 6. EU-FÖRSÄKRAN OM ÖVERENSSTÄMMELSE

### Original

Vi, **Avdel UK Limited; Stanley House, Works Road, Letchworth Garden City, Hertfordshire, SG6 1JY STORBRITANNIEN**, försäkrar under eget ansvar att denna produkt:

**Beskrivning**

ProSet® XT3 och ProSet® XT4 hydropneumatiska verktyg för blindnitar

**Märke/modell**

POP-Avdel® / 76003 och POP-Avdel® / 76004

**Serienr.**

som denna deklaration relaterar till uppfyller följande standarder:

ISO 12100:2010	EN ISO 3744:2010
EN ISO 11202:2010	EN ISO 11148-1:2011
EN ISO 4413:2010	BS EN 28662-1:1993
EN ISO 4414:2010	EN ISO 20643:2008+A1:2012
EN 28927-5:2009+A1:2015	

Den tekniska dokumentationen är utformad i enlighet med bilaga 1, avsnitt 1.7.4.1. i enlighet med följande direktiv:

**2006/42/EG MASKINDIREKTIVET**

Gäller också "UK Statutory Instruments 2008 No 1597 - The Supply of Machinery (Safety) Regulations".

**A. K. Seewraj**
**Technology Manager – EU Blind Fastening**

Avdel UK Limited, Stanley House, Works Road, Letchworth Garden City,  
Hertfordshire, SG6 1JY STORBRITANNIEN

**Underskrift**

**Utgivningsplats Letchworth Garden City**
**Utgivningsdatum 01.03.2017**


Denna maskin uppfyller Maskindirektivet 2006/42/EG.

## 7. SKYDDA DIN INVESTERING!

### 7.1 POP<sup>®</sup>AVDEL<sup>®</sup> GARANTI BLINDNITVERKTYG

STANLEY Engineered Fastening garanterar att alla kraftverktyg noggrant tillverkats och att de är fria från materialdefekter och tillverkningsfel vid normal användning och service för en period av ett (1) år. Denna garanti gäller endast för första köparen av verktyget för original användning.

#### **Undantag:**

##### **Normalt slitage.**

Regelbundet underhåll, reparation och reservdelar på grund av normalt slitage är undantagen från garantin.

##### **Missbruk och felaktig användning.**

Defekter eller skador som uppstår av felaktig hantering, förvaring, missbruk eller felaktig användning, olyckor eller försummelse, såsom fysiska skador är undantaget från garantin.

##### **Obehörig service eller modifiering.**

Defekter eller skador som uppstår efter service, testinställning, installation, underhåll, ändringar eller modifieringar på något sätt av någon annan än STANLEY Engineered Fastening, eller deras auktoriserade servicecenter är undantaget från garantin.

Alla andra garantier, uttalade eller underförstådda, inklusive några garantier om säljbarhet eller lämplighet för särskilt syfte är undantaget från garantin.

Om detta verktyg inte uppfyller garantin, returnera snarast verktyget till vår fabriks auktoriserade servicecenter närmast dig. För en lista med POP<sup>®</sup>Avdel<sup>®</sup> Auktoriserade servicecenter i USA eller Kanada, kontakta oss på gratisnumret (877)364 2781.

Utänför USA och Kanada, besök vår hemsida **[www.StanleyEngineeredFastening.com](http://www.StanleyEngineeredFastening.com)** för att hitta närmaste STANLEY Engineered Fastening-plats.

STANLEY Engineered Fastening kommer sedan att ersätta, utan kostnad, någon del eller delar som vi hittar som är defekt på grund av materialfel eller tillverkningsfel och returnera verktyget med betald retur. Detta utgör vår enda skyldighet enligt denna garanti.

Under inga omständigheter skall STANLEY Engineered Fastening hållas ansvariga för några indirekta eller särskilda skador som uppstår från köpet eller användningen av detta verktyg.

### 7.2 REGISTRERA DITT BLINDNITVERKTYG ONLINE.

För att registrera din garanti online, besök oss på

<http://www.stanleyengineeredfastening.com/popavdel-powertools/warranty-card>.

Tack för att du valt ett STANLEY Engineered Fastening's POP<sup>®</sup>Avdel<sup>®</sup>-verktyg.

**STANLEY**  
Engineered Fastening

**STANLEY Engineered Fastening**

STANLEY House, Works Road  
Letchworth Garden City  
Hertfordshire, United Kingdom  
SG6 1JY  
Tel: +44 1582 900 000  
Fax: +44 1582 900 001



## Holding your world together®

Find your closest STANLEY Engineered Fastening location on  
[www.stanleyengineeredfastening.com/contact](http://www.stanleyengineeredfastening.com/contact)  
For an authorized distributor nearby please check

[www.stanleyengineeredfastening.com/econtact/distributors](http://www.stanleyengineeredfastening.com/econtact/distributors)

Manual Number	Issue	C/N
07900-09404	D	19/300

**STANLEY**  
Assembly Technologies

Stanley Engineered Fastening — a division of Stanley Black and Decker — is the global leader in precision fastening and assembly solutions. Our industry-leading brands, Avdel®, Integra™, Nelson®, Optia™, POP®, Stanley® Assembly Technologies, and Tucker®, elevate what our customers create. Backed by a team of passionate and responsive problem-solvers, we empower engineers who are changing the world.

STANLEY ENGINEERED FASTENING FAMILY OF BRANDS

AVDEL

INTEGRA

NELSON

OPTIA

POP

STANLEY  
Assembly Technologies

TUCKER