

Accessories Manual

QW, GB



ProSet® PB3400 structural rivet tool

Battery Power Tool

©2016 STANLEY Black & Decker
All rights reserved.

The information provided may not be reproduced and/or made public in any way and through any means (electronically or mechanically) without prior explicit and written permission from STANLEY Engineered Fastening. The information provided is based on the data known at the moment of the introduction of this product. STANLEY Engineered Fastening pursues a policy of continuous product improvement and therefore the products may be subject to change. The information provided is applicable to the product as delivered by STANLEY Engineered Fastening. Therefore, STANLEY Engineered Fastening cannot be held liable for any damage resulting from deviations from the original specifications of the product.

The information available has been composed with the utmost care. However, STANLEY Engineered Fastening will not accept any liability with respect to any faults in the information nor for the consequences thereof. STANLEY Engineered Fastening will not accept any liability for damage resulting from activities carried out by third parties. The working names, trade names, registered trademarks, etc. used by STANLEY Engineered Fastening should not be considered as being free, pursuant to the legislation with respect to the protection of trade marks.



This instruction manual must be read by any person installing or operating this tool with particular attention to the following safety rules.

1. Safety Definitions

The definitions below describe the level of severity for each signal word. Please read the manual and pay attention to these symbols.



DANGER: Indicates an imminently hazardous situation which, if not avoided, **will** result in **death or serious injury**.



CAUTION: Indicates a potentially hazardous situation which, if not avoided, **may** result in **minor or moderate injury**.



WARNING: Indicates a potentially hazardous situation which, if not avoided, **could** result in **death or serious injury**.

NOTICE: Indicates a practice **not related to personal injury** which, if not avoided, **may** result in **property damage**.



Denotes risk of electric shock



Denotes risk of fire

Improper operation or maintenance of this product could result in serious injury and property damage. Read and understand all warnings and operating instructions before using this equipment. When using power tools, basic safety precautions must always be followed to reduce the risk of personal injury.

1.1. GENERAL SAFETY



WARNING! Read all safety warnings and all instructions. Failure to follow the warnings and instructions may result in electric shock, fire and/or serious injury.

SAVE ALL WARNINGS AND INSTRUCTIONS FOR FUTURE REFERENCE

The term "power tool" in the warnings refers to your mains-operated (corded) power tool or battery-operated (cordless) power tool.

- Do not use outside the design intent of Placing STANLEY Engineered Fastening Blind Fasteners.
- Use only parts, fasteners, and accessories recommended by the manufacturer.
- Use Power Tool only with specifically designated battery packs.

1.2. POWER TOOL USE AND CARE

- The tool must be maintained in a safe working condition at all times and examined at regular intervals for damage and function by trained personnel. Any dismantling procedure will be undertaken only by trained personnel. Do not dismantle this tool without prior reference to the maintenance instructions.
- Do not modify the tool in any way. Any modification to the tool is undertaken by the customer and will be the customer's entire responsibility and void any applicable warranties.
- Disconnect the battery from the tool before performing any maintenance, attempting to adjust, fit or remove a nose assembly.
- Prior to use, check for misalignment or binding of moving parts, breakage of parts, and any other condition that affects the tool's operation. If damaged, have the tool serviced before using. Remove any adjusting key or wrench before use.
- Prior to use, inspect battery for damage. Do not drop battery. A sharp impact may cause internal damage and lead to premature battery failure.
- Keep work area clean and well lit.
- Dress properly. Do not wear loose clothing or jewelry. Keep your hair, clothing and gloves away from moving parts. Loose clothes, jewelry or long hair can be caught in moving parts.
- Adopt a firm footing or a stable position before operating the tool.
- Operators and others in work area must wear ANSI Z87.1 CAN/CSA Z94.3 approved safety glasses with side shields. Always wear safety glasses and ear protection during operation.
- Adequate clearance is required for the tool operator's hands before proceeding.
- Do not operate a tool that is directed towards any person(s).
- DO NOT operate tool with the nose housing removed.
- Do not operate the tool or the charger in an explosive atmosphere or environment allowing exposure to combustible fluids or gasses.
- Do not operate the tool or the charger in an environment allowing exposure to moisture or rain to avoid risk of electric shock.
- Do not abuse the tool by dropping or using it as a hammer.
- Keep dirt and foreign matter out of the air vents of the tool as this will cause the tool to malfunction.
- Keep tool handles dry, clean, and free from oil and grease.
- When carrying the tool from place to place keep hands away from the trigger to avoid inadvertent activation.
- Never leave operating tool unattended.
- Disconnect battery when tool is not in use.

1.3. IMPORTANT SAFETY INSTRUCTIONS FOR ALL BATTERY CHARGERS

SAVE THESE INSTRUCTIONS: This manual contains important safety and operating instructions for compatible battery chargers (refer to Technical Data).

- Before using charger, read all instructions and cautionary markings on charger, battery pack, and product using battery pack.



WARNING: Shock hazard. Do not allow any liquid to get inside charger. Electric shock may result.



WARNING: We recommend the use of a residual current device with a residual current rating of 30mA or less.



CAUTION: Burn hazard. To reduce the risk of injury, charge only DEWALT®/POP®Avdel® rechargeable batteries. Other types of batteries may burst causing personal injury and damage.



CAUTION: Children should be supervised to ensure that they do not play with the appliance.

NOTICE: Under certain conditions, with the charger plugged into the power supply, the exposed charging contacts inside the charger can be shorted by foreign material. Foreign materials of a conductive nature such as, but not limited to, steel wool, aluminium foil or any build-up of metallic particles should be kept away from charger cavities. Always unplug the charger from the power supply when there is no battery pack in the cavity. Unplug charger before attempting to clean

- DO NOT attempt to charge the battery pack with any chargers other than the ones in this manual. The charger and battery pack are specifically designed to work together.
- These chargers are not intended for any uses other than charging DEWALT®/POP®Avdel® rechargeable batteries. Any other uses may result in risk of fire, electric shock or electrocution.
- Do not expose charger to rain or snow.
- Pull by plug rather than cord when disconnecting charger. This will reduce risk of damage to electric plug and cord.
- Make sure that cord is located so that it will not be stepped on, tripped over, or otherwise subjected to damage or stress.
- Do not use an extension cord unless it is absolutely necessary. Use of improper extension cord could result in risk of fire, electric shock, or electrocution.
- Do not place any object on top of charger or place the charger on a soft surface that might block the ventilation slots and result in excessive internal heat. Place the charger in a position away from any heat source. The charger is ventilated through slots in the top and the bottom of the housing.
- Do not operate charger with damaged cord or plug—have them replaced immediately.
- Do not operate charger if it has received a sharp blow, been dropped, or otherwise damaged in any way. Take it to an authorised service centre.
- Do not disassemble charger; take it to an authorised service centre when service or repair is required. Incorrect reassembly may result in a risk of electric shock, electrocution or fire.
- Disconnect the charger from the outlet before attempting any cleaning. This will reduce the risk of electric shock. Removing the battery pack will not reduce this risk.
- NEVER attempt to connect two chargers together.
- The charger is designed to operate on standard household electrical power (refer to charger specifications). Do not attempt to use it on any other voltage. This does not apply to the vehicular charger.

1.4. IMPORTANT SAFETY INSTRUCTIONS FOR ALL BATTERY PACKS

When ordering replacement battery packs, be sure to include catalog number and voltage.

The battery pack is not fully charged out of the carton. Before using the battery pack and charger, read the safety instructions below. Then follow charging procedures outlined.

READ ALL INSTRUCTIONS

- Do not charge or use battery in explosive atmospheres, such as in the presence of flammable liquids, gases or dust. Inserting or removing the battery from the charger may ignite the dust or fumes.
- Never force battery pack into charger. Do not modify battery pack in any way to fit into a non-compatible charger as battery pack may rupture causing serious personal injury.
- Charge the battery packs only in DEWALT®/POP®Avdel® chargers.
- DO NOT splash or immerse in water or other liquids.
- Do not store or use the tool and battery pack in locations where the temperature may reach or exceed 40 °C (104 °F) (such as outside sheds or metal buildings in summer).
- When battery pack is not in use, keep it away from other metal objects like paper clips, coins, keys, nails, screws or other small metal objects that can make a connection from one terminal to another.

- Do not discard batteries into water.



WARNING: Never attempt to open the battery pack for any reason. If battery pack case is cracked or damaged, do not insert into charger. Do not crush, drop or damage battery pack. Do not use a battery pack or charger that has received a sharp blow, been dropped, run over or damaged in any way (i.e., pierced with a nail, hit with a hammer, stepped on). Electric shock or electrocution may result. Damaged battery packs should be returned to service centre for recycling.



WARNING: Fire hazard. Do not store or carry the battery pack so that metal objects can contact exposed battery terminals. When transporting individual battery packs, make sure that the battery terminals are protected and well insulated from materials that could contact them and cause a short circuit.



CAUTION: When not in use, place tool on its side on a stable surface where it will not cause a tripping or falling hazard. Some tools with large battery packs will stand upright on the battery pack but may be easily knocked over.

1.5. SPECIFIC SAFETY INSTRUCTIONS FOR LITHIUM-ION (LI-ION)

1. **Do not incinerate the battery pack even if it is severely damaged or is completely worn out.** The battery pack can explode in a fire. Toxic fumes and materials are created when lithium-ion battery packs are burned.
2. **If battery contents come into contact with the skin, immediately wash area with mild soap and water.** If battery liquid gets into the eye, rinse water over the open eye for 15 minutes or until irritation ceases. If medical attention is needed, the battery electrolyte is composed of a mixture of liquid organic carbonates and lithium salts.
3. **Contents of opened battery cells may cause respiratory irritation.** Provide fresh air. If symptoms persists, seek medical attention.



WARNING: Burn hazard. Battery liquid may be flammable if exposed to spark or flame.

1.6. RESIDUAL RISKS

In spite of the application of the relevant safety regulations and the implementation of safety devices, certain residual risks cannot be avoided. These are:

- Impairment of hearing
- Risk of personal injury due flying particles
- Risk of burns due to accessories becoming hot during operation.
- Risk of personal injury due to prolonged use.

1.7. LABELS AND ICONS

Markings on Tool

DATE CODE POSITION: The Date Code, which includes the year, month and location of manufacture, is printed into the housing surface that forms the mounting joint between tool and battery.

Labels on charger and battery pack

In addition to the pictographs used in this manual, the labels on the charger and the battery pack show the following pictographs.



Read instruction manual before use.



Charge only between 4 °C and 40 °C.



Read instruction manual before use.



Discard the battery pack with due care for the environment.



Battery charging.



Do not incinerate the battery pack.



Battery charged.



Hot/cold pack delay.



Do not charge damaged battery packs.



Do not expose to water.



Have defective cords replaced immediately.



Risk of electric shock.



Only for indoor use.



Your DeWALT charger is double insulated in accordance with EN60335; therefore no earth wire is required.



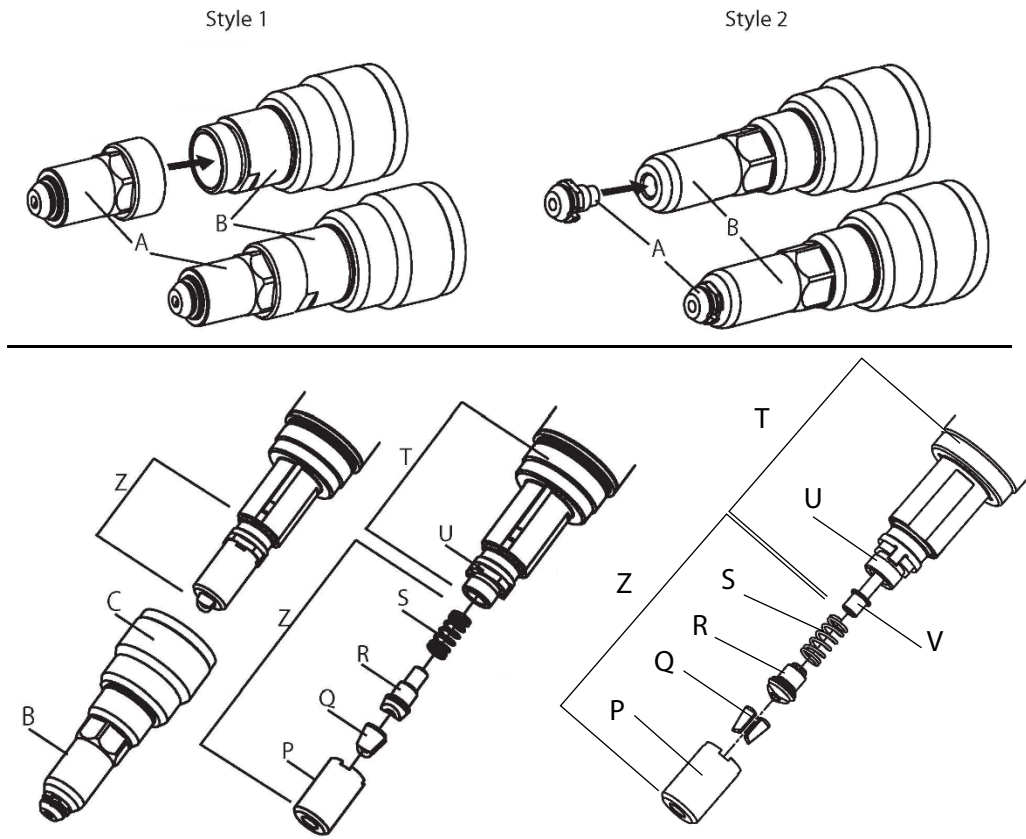
Charge DeWALT/POP-Avdel battery packs only with designated DeWALT/POP-Avdel chargers. Charging battery packs other than the designated DeWALT/POP-Avdel batteries with a DeWALT/POP-Avdel charger may make them burst or lead to other dangerous situations.

**STANLEY Engineered Fastening policy
is one of continuous product development and improvement
and we reserve the right to change the specification
of any product without prior notice.**

STANLEY Engineered Fastening policy is one of continuous product development and improvement and we reserve the right to change the specification of any product without prior notice.

Nose Assemblies

Nose equipment varies according to the blind rivet type being installed. Each nose assembly represents a unique set of components which can be ordered individually. Component numbers refer to the illustration below. We recommend maintaining some stock of spares as items will need regular replacement if worn. Read the Servicing Manual for nose assembly instructions.



Fitting instructions

Mounting the nosepiece

- Select the correct nosepiece for the rivet to be installed. Reference the Accessories Manual for appropriate nose equipment.
- Tighten the nosepiece (A) into the nose housing (B) by turning it clockwise using 23 mm and 27mm or 14mm and 23mm spanner.
- Select the correct jaw pusher or jaw pusher assembly (R) and Mandrel Guide (V) that matches the Nose Piece selected. Reference the Accessories Manual for appropriate nose equipment.

NOTE: The Tail Guide that comes installed on the tool as purchased matches the installed Nose Piece. Reference the Accessories Manual for appropriate nose equipment for the actual Tail Guide part number.

- Insert mandrel guide (V) into pulling head (T) and then insert them into pulling head (T)
- Insert jaw pusher (R) into jaw pusher spring (S)
- Reassemble jaw set (Q) and jaw guide (P) onto Pulling head (T)

NOTE: Do NOT use spanners to mount jaw guide (P) onto front clutch (U). Manual tightening of Jaw guide (P) is enough to lock onto front clutch (U)

Placing capacity chart

Rivet Type	PB3400			
	4.8mm [3/16"]	6.0 mm	6.4mm [1/4"]	8.0/9.0 mm
OPEN END	•		•	
CLOSED END	•		•	
AVEX®/ STAVEX®	•		•	
AVINOX®/ AVIBULB®	•	•	•	
HR/HT	•		•	
INTERLOCK®			•	
Hemlok®				
KLAMP-TITE®/ KTR	•		•	
BULBEX®/LS/TL	•			
MONOBOLT®	•		•	
MULTI-GRIP®	•			
PULL-THRU (PT)				
Q RIVET	•		•	
T LOK®	•			
T-RIVET	•			
AVSEAL® II			•	•

Nose piece chart

Rivet size	Rivet Type	Material (Body/Mandrel)				
		Al/Al	Al/St Al/SS	NiCu/St NiCu/SS	St/St SS/St	SS/SS
4.8mm [3/16"]	Open End	61855*** or 02762*	61855*** or 02762*	61855*** or 02762*	61855*** or 02762*	61855*** or 02762*
	Closed End	61803***	61803***	-	61803***	61855*** or 02762*
	AVEX®	-	61855*** or 02762*	-	-	-
	STAVEX®	-	-	-	61855*** or 02762*	61855*** or 02762*
	HRrivets®	04414***	61855*** or 02762*	-	04414***	04414***
	HSrivets®	-	-	-	61855*** or 02762*	-
	AVINOX®	-	-	-	-	04414*
	AVIBULB®	-	-	-	04414*	-
	TLrivets®/ BULBEX®	61855*** or 02762*	-	-	-	-
	KLAMP-TITE®BAPK	-	61803***	-	-	-
	KLAMP-TITE®BAPKTR	-	**	-	-	-
	INTERLOCK®	02762*	-	-	02762*	02762*
	MONOBOLT®	02764*	-	-	02764*	02764*
	Q Rivet	61855*** or 02762*	61855*** or 02762*	-	61855*** or 02762*	61855*** or 02762*
	T LOK®	-	-	-	61855*** or 02762*	-
T Rivet	-	02762*	-	-	-	

* Not included with the PB3400-standard tool kit

** Klamp-Tite KTR series requires a special Nosepiece, Contact Application Engineering

*** Not included with the PB3400-standard tool kit and SA nose housing TP143-594 for option is required to use



61855
61803
04414



02762



02764

Bold : Equipped on the tool

Rivet size	Rivet Type	Material (Body/Mandrel)				
		Al/Al	Al/St Al/SS	NiCu/St NiCu/SS	St/St SS/St	SS/SS
6.4mm [1/4"]	Open End	-	02740*** or 02768	02740*** or 02768	02740*** or 02768	-
	Closed End	-	02760***	-	-	-
	AVEX®	-	02740*** or 02768	-	-	-
	STAVEX®	-	-	-	02740*** or 02768	-
	HRrivets®	-	02740*** or 02768	-	02772***	-
	HSrivets®	02740*** or 02768	-	-	02740*** or 02768	-
	AVINOX®XT	-	-	-	-	02776*
	AVIBULB®(6mm)	-	-	-	02740*** or 02768	-
	AVIBULB®XT	-	-	-	02776*	-
	KLAMP-TITE®BAPK	-	02740*** or 02768	-	-	-
	KLAMP-TITE®BAPKTR	-	**	-	-	-
	INTERLOCK®	02768	-	-	02768	02768
	MONOBOLT®	02770*	-	-	02770*	02770*
	HEMLOK®	02768	-	-	02768	-
	Q Rivet	02740*** or 02768	02740*** or 02768	-	02740*** or 02768	02740*** or 02768
T Rivet	-	02768	-	-	-	

* Not included with the PB3400-standard tool kit

** Klamp-Tite KTR series requires a special Nosepiece, Contact Application Engineering

*** Not included with the PB3400-standard tool kit and SA nose housing 02780 for option is required to use



02740
02760
02772



02776



02770

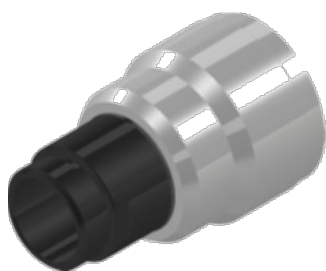
Jaw and Jaw pusher chart

Bold : Equipped on the tool

Rivet size	Rivet type	SA Nose housing	SA Jaw Pusher	Mandrel Guide
4.8mm [3/16"]	Open End	02780*	02751*	02778*
	Closed End(SS/SS)	02779		
	Closed End(Al/Al, Al/St, St/St)	02780*		
	AVEX®	02780*		
	STAVEX®	or 02779		
	HRivets®(Al/St, Al/SS)			
	HRivets®(Al/Al, St/St, SS/SS)	02780*		
	HSrivets®	02780* or 02779		
	AVINOX®			
	AVIBULB®			
	TLrivets®/ BULBEX®			
	KLAMP-TITE®BAPK			
	KLAMP-TITE®BAPKTR	02780*		
	INTERLOCK®	02779		
	MONOBOLT®			
	UG rivets (D type)			
	UG rivets (K type)			
Q Rivet	02780*			
T LOK®	or 02779			
T Rivet	02779			

* Not included with the PB3400-standard tool kit

** Requires to be removed, if there is a mandrel guide in the tool



02779



02780



02751

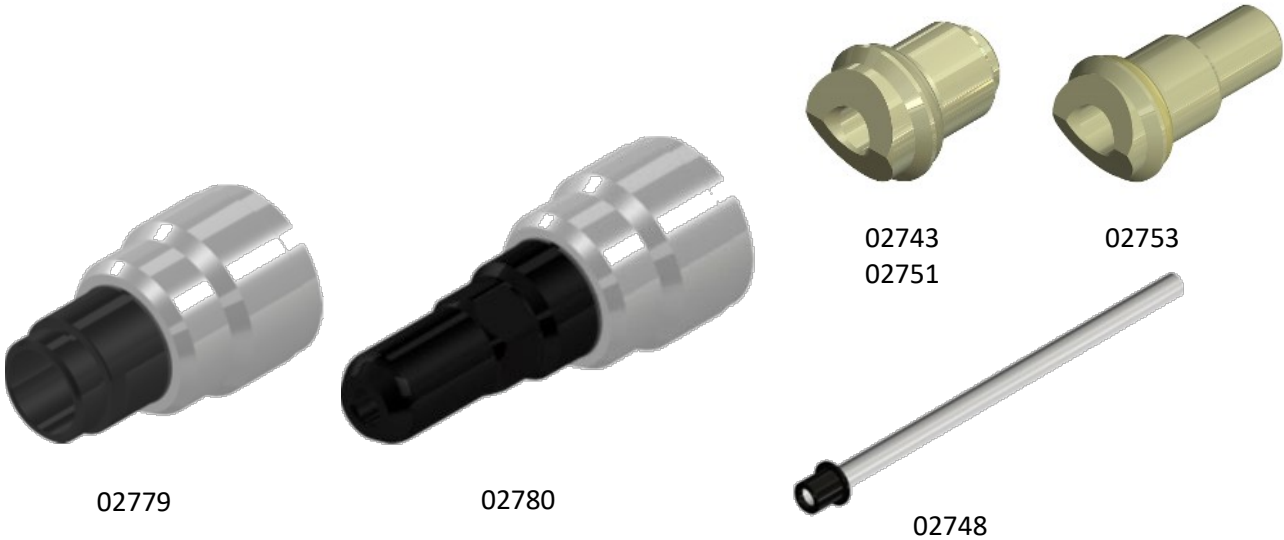


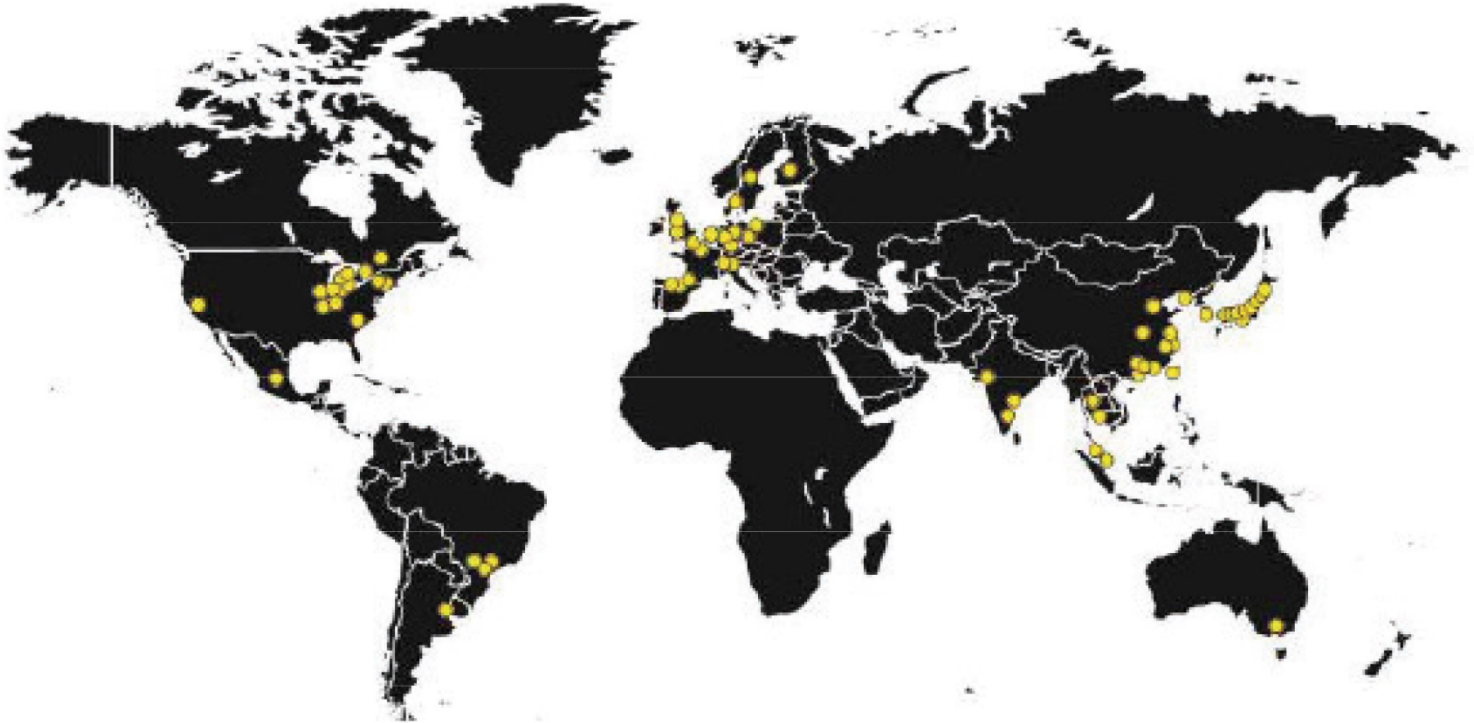
02778

Bold : Equipped on the tool

Rivet size	Rivet type	SA Nose housing	SA Jaw Pusher	Mandrel Guide
6.4mm [1/4"]	Open End	02780* or 02779	02743	02748
	Closed End	02780*		
	AVEX [®]	02780* or 02779		
	STAVEX [®]			
	HRivets [®] (Al/St)	02780*	02753*	Unnecessary**
	HRivets [®] (St/St)			
	HSrivets [®]	02780* or 02779	02743	02748
	AVIBULB [®] (6mm)			
	AVINOX [®] XT	02779	02753*	Unnecessary**
	AVIBULB [®] XT			
	KLAMP-TITE [®] BAPK	02780* or 02779	02743	02748
	KLAMP-TITE [®] BAPKTR	02780*		
	INTERLOCK [®]	02779	02743	02748
	MONOBOLT [®]			
	HEMLOK [®]			
	UG rivets (D type)			
UG rivets (K type)				
Q Rivet	02780* or 02779	02743	02748	
T Rivet	02779			

* Not included with the PB3400-standard tool kit
 ** Requires to be removed, if there is a mandrel guide in the tool





Find your closest STANLEY Engineered Fastening location on www.StanleyEngineeredFastening.com/contact
For an authorized distributor nearby please check www.StanleyEngineeredFastening.com/econtact/distributors

Manual Number	Issue	C/N
TRM00384	C	171116-1

© 2016 Stanley Black & Decker, Inc.

Avdel®, Avex®, Avibulb®, Avinox®, Avseal®, Bulbex®, DEWALT®, Hemlok®, Interlock®, Klamp-Tite®, Monobolt®, POP®, ProSet®, Stavex® and T-Lok® are registered trademarks of Stanley Black & Decker, Inc. and its affiliates. The names and logos of other companies mentioned herein may be trademarks of their respective owners. Data shown is subject to change without prior notice as a result of continuous product development and improvement policy. Your local STANLEY Engineered Fastening representative is at your disposal should you need to confirm latest information.