

Features

- Ergonomic design, lightweight tool
- Intensifier made integral to the hand tool
- Can be suspended (optional)
- Use hydraulic for placing fasteners (reduced shock loads)
- Utilizes standard 7530 nose equipment
- Can place the same range of fasteners as 7530 tool
- Specially toughened plastic body and heavy duty rubber base
- Integral cycle counter

Benefits

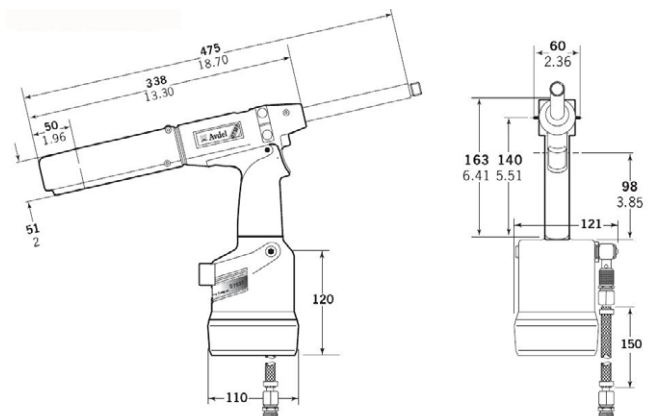
- Reduced operator fatigue, increased productivity
- No need for long umbilical
- Reduced setting time
- Ease of maintenance
- Increased impact resistance and durability



Specifications

Weight	2.2 kg (4.85 lbs)
Pull Force	3.89 kN (875 lbf)
Stroke	30 mm (1.18 ins)
Cycle Time	1.0 sec
Air Supply Pressure	5 – 7 bar
Free Air Volume @ 5.1 bar	2.6 litres
Noise Level	< 70 dB(A)
Vibration	< 2.5 m/s ²
Cycle counter	Yes
Intensification ratio	37:1

Dimensions (mm/inches)



Placing Capability

The 07537 placing tool can place the whole range of Speed Fastening® fasteners from diameter 2.4 mm (3/32") to 6.4 mm (1/4").

For detailed information on placing capability and nose equipment please refer to the tool manual or contact your local STANLEY Engineered Fastening representative.