

Hydro-Pneumatic Tool for hexagonal Hole Production

74290 Model

Features

- Capability of producing hexagonal holes where access is only possible from one side
- Suitable for light alloys, steel and stainless steel
- Heavy duty plastic body
- Lightweight and ergonomically designed
- One-step trigger
- Can be suspended or hand-held

Benefits

- Allows use of hexagonal inserts in blind sided applications
- Quick and simple operation
- Increased productivity

Specifications

Weight	2.2 kg (4.9 lbs)
Pull Force	23.5 kN (5,290 lbf)
Stroke	6.5 mm (0.256 in)
Cycle Time	2.5 sec
Air Supply Pressure	5 – 7 bar
Free Air Volume	7.5 litres
Noise Level	<80 dB(A)

Capability

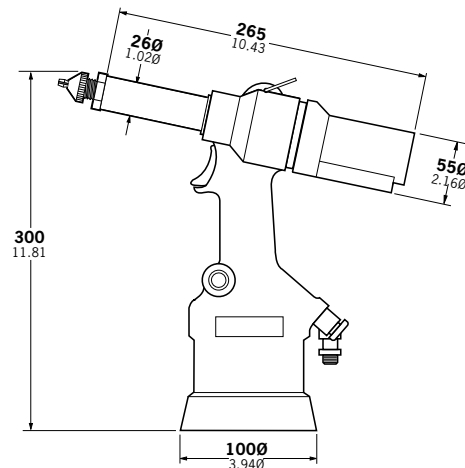
Transforms round holes into hexagonal holes for use of Hexsert® threaded inserts M4 - M10.

Thickness range of workpiece (respective punch equipment has to be ordered separately):

Aluminium	M4, M10:	0.5 - 2.5 mm
	M5 - M8:	0.5 - 4.5 mm
Steel	M4:	0.5 - 1.5 mm
	M5 - M10:	0.5 - 3.0 mm
	M4 - M10:	0.5 - 1.5 mm



Dimensions (mm/inches)



Operating Procedure



Workpiece with round hole



Insert the punch (fixed onto the 74290 tool) into the round hole



Workpiece with the hexagonal hole stamped by the 74290, ready to take a Hexsert® threaded insert