

# HydroPneumatic Tool for hexagonal Hole Production

74290 Model

## Features

- Capability of producing hexagonal holes where access is only possible from one side
- Suitable for light alloys, steel and stainless steel
- Heavy duty plastic body
- Lightweight and ergonomically designed
- One-step trigger
- Can be suspended or hand-held

## Benefits

- Allows use of hexagonal inserts in blind sided applications
- Quick and simple operation
- Increased productivity

## Specifications

Weight	4.9 lbs (2.2 kg)
Pull Force	5,290 lbf (23.5 kN)
Stroke	.256 in (6.5 mm)
Cycle Time	2.5 sec
Air Supply Pressure	5 – 7 bar
Free Air Volume	7.5 litres
Noise Level	<80 dB(A)

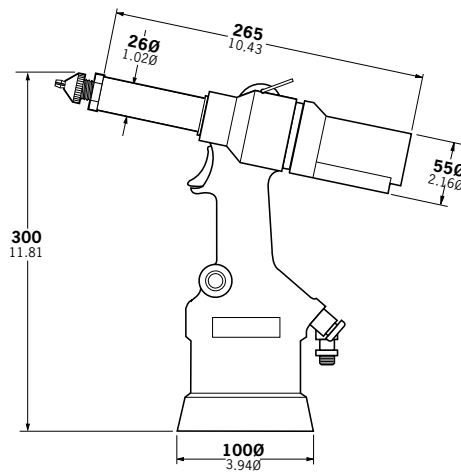


## Capability

Transforms round holes into hexagonal holes for use of Hexsert® threaded inserts M4 - M10. Thickness range of workpiece (respective punch equipment has to be ordered seperately):

Aluminium	M4, M10:	0.5 - 2.5 mm
	M5 - M8:	0.5 - 4.5 mm
Steel	M4:	0.5 - 1.5 mm
	M5 - M10:	0.5 - 3.0 mm
Stainless Steel	M4 - M10:	0.5 - 1.5 mm

## Dimensions (mm/inches)



## Operating Procedure



Workpiece with round hole



Insert the punch (fixed onto the 74290 tool) into the round hole



Workpiece with the hexagonal hole stamped by the 74290, ready to take a Hexsert® threaded insert

**STANLEY**  
Engineered Fastening

[www.StanleyEngineeredFastening.com](http://www.StanleyEngineeredFastening.com)

© 2014 Stanley Black & Decker, Inc., Rev. 05a.2012

Avdel® and Hexsert® are trademarks of Avdel UK Limited. POP® is a trademark of Emhart Teknologies. Data shown is subject to change without prior notice as a result of continuous product development and improvement policy. Your local STANLEY Engineered Fastening representative is at your disposal should you need to confirm latest information.

Avdel USA LLC  
614 NC Highway 200 South  
Stanfield, North Carolina 28163  
Tel. +1 704 888-7100 · Fax -0258  
infoAvdel-USA@sbdinc.com

Avdel Canada Limited  
1030 Lorimar Drive  
Mississauga, Ontario L5S 1R8  
Tel. +1 905 364-0664 · Fax -0678  
infoAvdel-Canada@sbdinc.com