

Features

- Heavy duty plastic body and long-life components
- Lightweight and ergonomically designed
- Latest 'spin-pull' technology
- One-step trigger
- Can be suspended or hand-held

Benefits

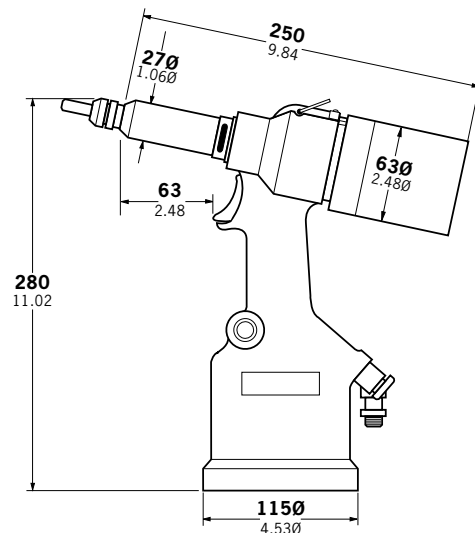
- Ideal for demanding production environments
- Quick and simple operation
- Reduces operator fatigue
- Increased productivity
- Places a wide range of threaded inserts
- Ensures accurate and secure thread installation



Specifications

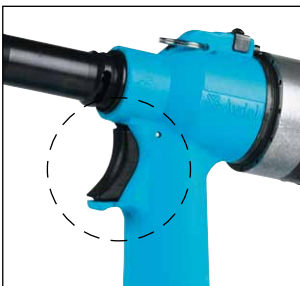
Weight	2.2 kg (4.9 lbs)
Pull Force	19.1 kN (4,300 lbf)
Stroke	7 mm (0.276 in)
Cycle Time	2.5 sec
Air Supply Pressure	5 – 7 bar
Free Air Volume @ 5.1 bar	8 litres
Noise Level	75 dB(A)
Vibration	< 2.5 m/s ²

Dimensions (mm/inches)



Placing Capability

POP Avdel threaded inserts up to M12.
For detailed information on placing capability and nose equipment please refer to the tool manual or contact your local STANLEY Engineered Fastening representative.



One-step trigger reduces cycle time to a minimum