



Standard Duty Stud Welding Gun

*Proven design specifically for welding medium diameter studs
The industry standard for 30 years*

The Nelson NS-40 SD, a rugged, standard duty Drawn Arc stud welding gun designed specifically to weld studs up to 5/8" diameter. It can be used to weld smaller diameter studs using the Gas Arc or Short Cycle Welding Procedure. The NS-40 SD gun operates with D.C. power sources such as the Nelweld, transformer-rectifiers, or Nelson inverters. The gun is a pistol shaped tool with a compensating lift mechanism. The gun body is molded of high impact plastic in one piece. To minimize weld splatter, a TRANQUIL-ARC® assembly option is available for this gun.

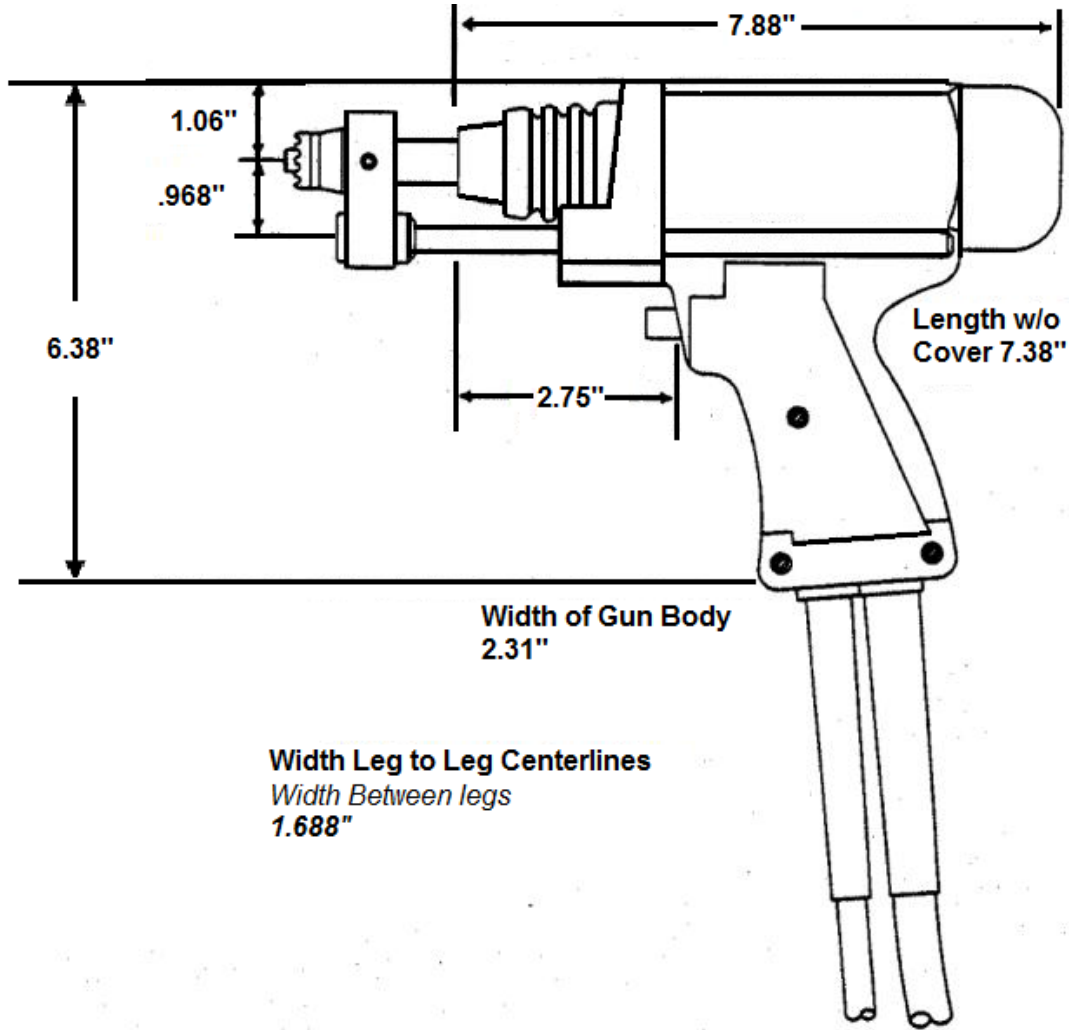
- **Durable Gun Body.** Constructed from thermo-plastic resin for maximum strength and longevity.
- **Lift Adjustment.** "Click stop" lift adjustment with .010" increments assures precise control of lift height and arc voltage.
- **Lift Mechanism.** Assures reliable control of lift height for highly repeatable weld arc length over millions of welds.
- **Leg Design.** Stainless steel legs with milled flats resist galling from leg screws and allow free movement of leg assembly during plunge adjustment.
- **Leg Diameter.** 5/16" diameter stainless legs resist flexing with longer length studs.
- **Ergonomic Shape.** Shape and balance reduces operator fatigue.
- **Two Wire Control Cable.** Multiplexing reduces control cable failures, simplifies field repairs and speeds up service to reduce downtime.
- **Weld Cable Connector Options.** Camlock, Dinse, and others are available.
- **Multiple Control Cable Connector Options.** Hubbell, R&S, Cannon and others are available.
- **Solenoid Core.** Magnetically shielded core for the consistent plunge needed for the Gas Arc and Short Cycle weld processes.

Applications

- *Welding of medium diameter studs for construction, shipbuilding and industrial applications.*
- *Gas Arc welding of small diameter studs for improved weld appearance.*
- *Short Cycle welding of small diameter studs to sheet metal.*

NS-40 SD

Technical Data



NS-40 SD

NS-40 SD WELDING GUN	
Length: (less accessories)	7.88" (200 mm)
Weight (typical working weight of gun—includes standard legs and foot plus 4' of cable from gun handle. NOTE: The initial 4' of cable is normally supported by the operator when in working position.)	5 lbs. 2 oz.
Shipping Weight of Tool: (includes standard legs and foot plus 8' of cable normally supplied with welding gun and all connectors.)	6 lbs. 14 oz.
Total Travel Total Stroke (Lift + Plunge)	3/8" (10 mm)

USA

7900 West Ridge Road
Elyria, OH 44036-2019
Telephone: 800.635.9353
Fax: 440.329.0526
www.NelsonStudWelding.com

Germany

Phone: 49.2332.661.0

China

Phone: 86.22.26371514

France

Phone: 33.1.34.11.94.00

Canada & Mexico

Phone: 800.635.9353

Italy

Phone: 39.11.6059230

Great Britain

Phone: 44.1296.433500